

Haojue

PARTS CATALOGUE

HJ125-16N

PREFACE

This catalogue lists the spare parts used for the following model. Please do refer to the parts catalogue and indicate the parts number and the name listed in this catalogue correctly when you need to replace the spare parts.

Design Code	Factory Reference No. (Abbr. form in the catalogue)	Engine Reference No.	Engine Cad No.
HJ125-16N	KF1233D08R-XXE32	EG33D80-E32	10091H33054H000

一、 How to place an order for spare parts?

1. Required document:

The number must be provided as follow when order the spare parts:

- (a) The Engine parts: parts number and the Engine number
- (b) The Body parts: parts number and the Frame number

2. Revision

The Revised Version would be published at a suitable time when the parts Catalogue needed to be revised or renewed. In this case, the edition number would be marked on the cover. The parts would have some difference because our products are improved continuously and the modified parts no. will not be informed before the new edition published.

二、 How to use the parts catalogue?

1. Size

The unit of the parts' size indicated in the catalogue is 'mm', for example:

Parts name	Description
Bolt 6×12	Diameter 6mm, Length 12mm

O Ring D: 3.0, ID: 29.5	Section diameter 3mm, inner diameter 29.5mm
Bearing 35×72×17	Inner diameter 35mm, Outer diameter 72mm, Thickness 17mm

2. Abbr.

The meaning of the Abbreviations in the catalogue are as the followings:

D: Section diameter NT: Number of Teeth L: Length ID: Inner diameter W: Width

OPT: Optional T: Thickness OD: Outer diameter OS: Over size

STD: Standard US: Under size LH: Left hand side RH: Right hand side

3. Assy and the inner parts

The part number with a hyphen '-' in the front means this part could be supplied with the Assy (or the comp.), also could be supplied seperately.

For example:

Item 1 CYLINDER HEAD ASSY

Item1-1 PIN,CAMSHAFT COVER

That means Item1-1 can be supplied with Item 1 and aslo can be supplied seperately.

4. The illustrations in the catalogue are just for the purpose to distinguish the parts. There might be some discrepancies between the illustrations and the real parts.. Furthermore, the illustrations can not be used for the assembling purpose. When assembling, pls use the Service Manual of the relative models.

5. The instruction for the color parts

The catalogue lists are being supervised by color code.

For example: Assy,Fuel Tank 44100H22000HF01 F01 is the colour code and means "RED".

When place an order for the color parts, please use the correct parts number (with the color code), based on the compound color sheet of the models.

This catalogue is edited according to the datas before 2016-7-1. The modification after that time should refer to the latest SPS(Spare Parts Modification notice).

HJ125-16N COLOR TABLE KF1233D08R-XXE32 5 COLOR STYLES

REF. NO.	DESCRIPTION	PART NO.	a01 RED	a02 BLACK	a03 ORANGE	a05 BLUE	a06 BLACK	REMARKS
1	FUEL TANK SET	44011H12920H000	F05	F02	F11	F09	F15	
2	TAPE SET, FUEL TANK	68110H12A00H000	N53	N42	PC7	NB1	N42	NOT SUPPLY
3	COWLING, BODY	94411H12900H000	123	501	214	608	541	
4	TAPE SET, COWLING STRIPING	68190H12A00H000	N53	N42	PC7	NB1	N42	
5	COVER, FRAME, L	47211H12B00H000	A43	A42	A52	A30	A28	
6	TAPE SET, FRAME COVER STRIPE, L	68140H12B00H000	N53	N42	PC7	NB1	N42	
7	COVER, FRAME, R	47111H12B00H000	A43	A42	A52	A30	A28	
8	TAPE SET, FRAME COVER STRIPE, R	68130H12B00H000	N53	N42	PC7	NB1	N42	
9	TAPE, FRAME COVER	68131H12B00H000	SIL	SIL	SIL	SIL	SIL	

INFORMATION ILLUSTRATION INDEX

1

ENGINE & TRANSMISSION

2

ELECTRICAL

3

BODY

4

PARTS NUMBER INDEX

5

Fig. 1 CYLINDER HEAD&CYLINDER HEAD COVER (P06-S010-0008)

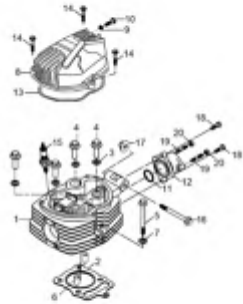


Fig. 2 CYLINDER (P06-S020-0001)

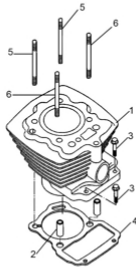


Fig. 3 CRANKCASE (P06-S030-0003)

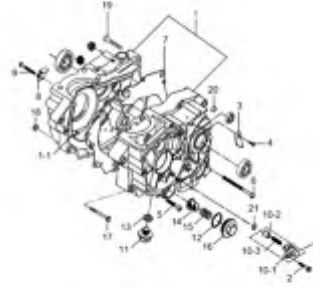


Fig. 4 CRANKCASE COVER (P06-S040-0003)

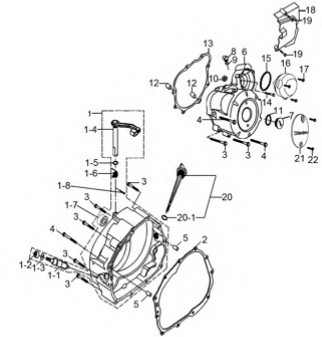


Fig. 5 CRANKSHAFT (P06-S050-0004)

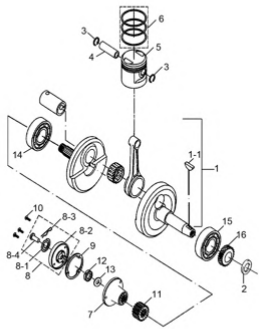


Fig. 6 STARTER CLUTCH (P06-S060-0002)

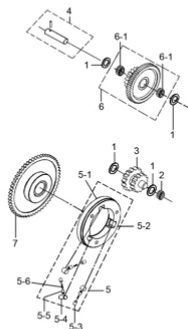


Fig. 7 CAMSHAFT-VALVE (P06-S070-0003)

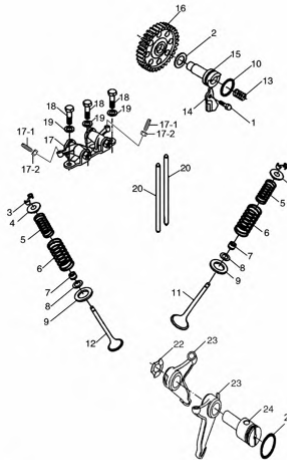


Fig. 8 CARBURETOR (P06-S090-0008)

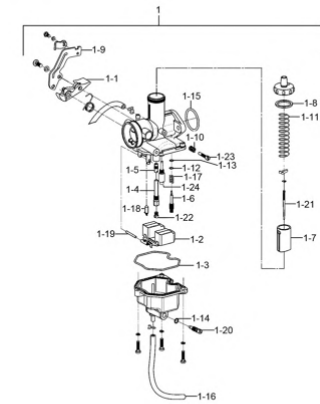


Fig. 9 AIR CLEANER (P06-S100-0003)

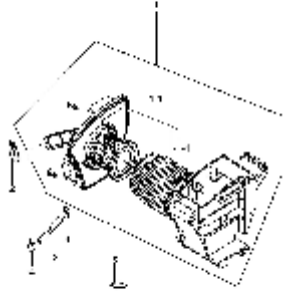


Fig. 10 MUFFLER (P06-S110-0006)

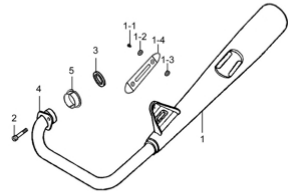


Fig. 11 OIL PUMP (P06-S130-0003)

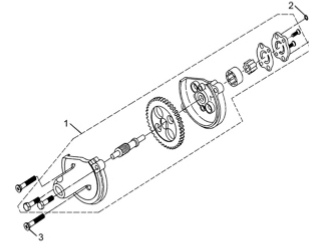


Fig. 12 CLUTCH (P06-S140-0002)

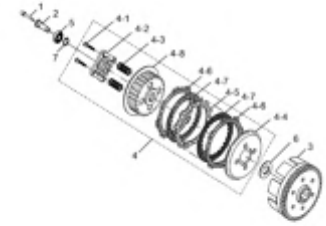


Fig. 13 TRANSMISSION (P06-S150-0002)

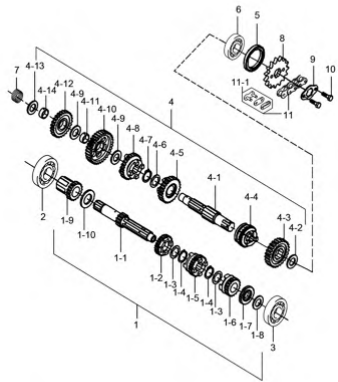


Fig. 14 GEAR SHIFTING (P06-S160-0003)

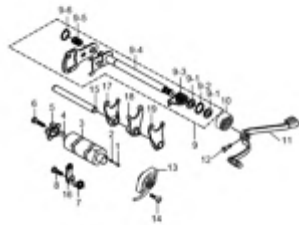


Fig. 15 KICK STARTER (P06-S165-0002)

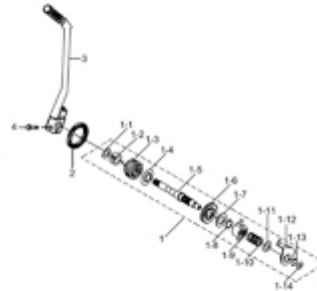


Fig. 16 STARTING MOTOR (P06-S170-0001)



Fig. 17 MAGNETO (P06-S180-0003)

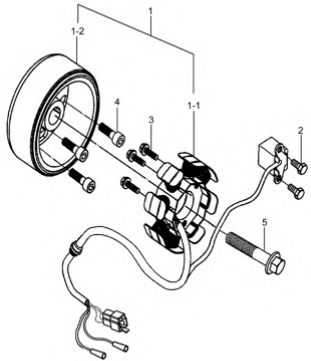


Fig. 18 BATTERY (P06-S190-0004)

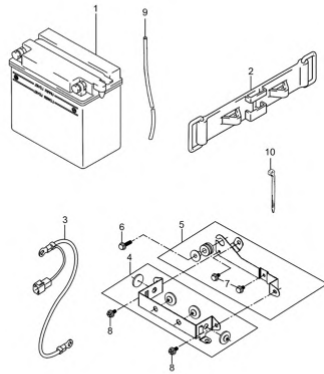


Fig. 19 ELECTRICAL (P06-S200-0007)

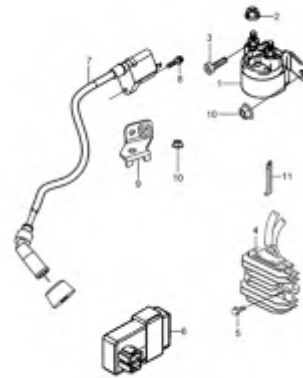


Fig. 20 SPEEDOMETER (P06-S210-0009)

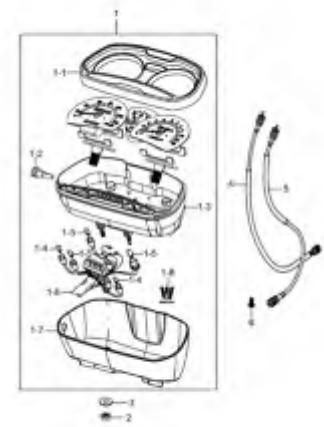


Fig. 21 HEADLAMP (P06-S220-0006)

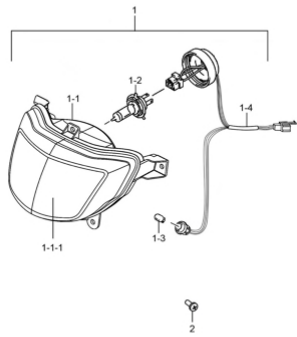


Fig. 22 TURN SIGNAL LAMP (P06-S230-0005)

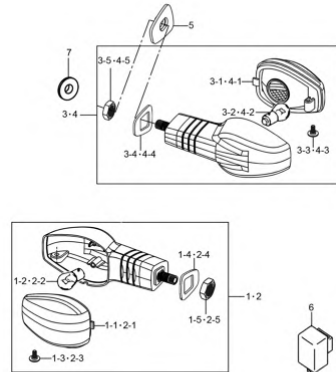


Fig. 23 REAR COMBINATION LAMP (P06-S240-0007)

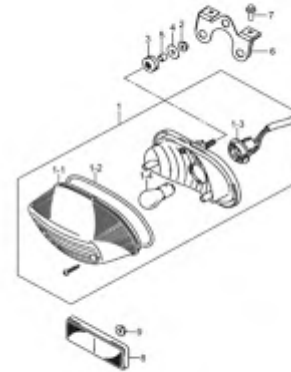


Fig. 24 WIRING HARNESS (P06-S250-0008)

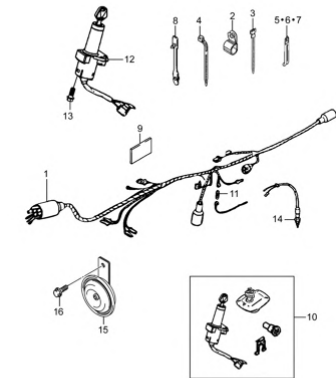


Fig. 25 FRAME (P06-S260-0020)

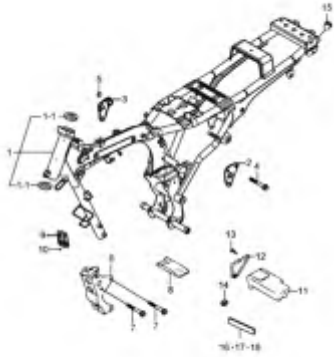


Fig. 26 STAND (P06-S270-0009)



Fig. 27 FOOTREST (P06-S280-0014)

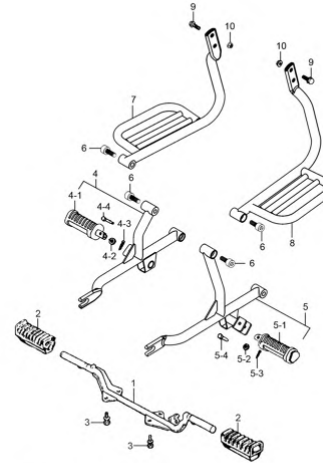


Fig. 28 FUEL TANK (P06-S290-0018)



Fig. 29 FUEL COCK (P06-S300-0003)

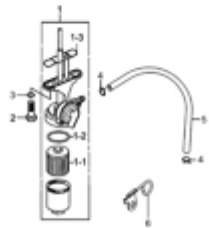


Fig. 30 FRAME COVER (P06-S310-0017)

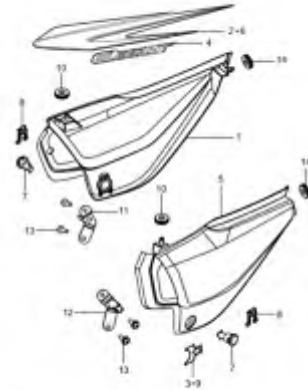


Fig. 31 FRONT FENDER (P06-S320-0005)

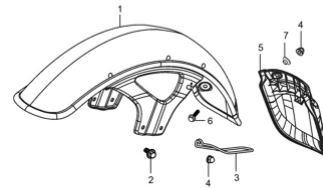


Fig. 32 HANDLEBAR (P06-S330-0014)

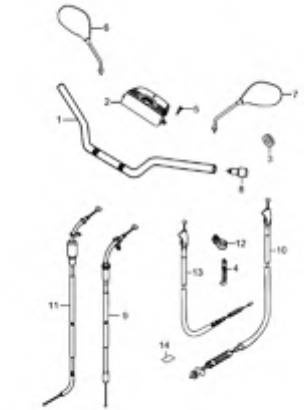


Fig. 33 HANDLE SWITCH (P06-S340-0009)

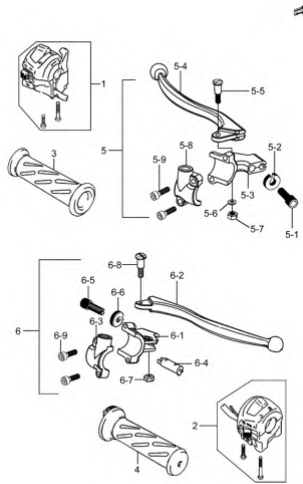


Fig. 34 REAR FENDER (P06-S350-0005)

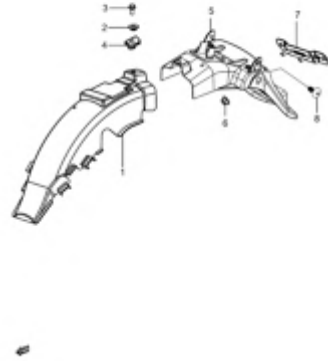


Fig. 35 COWLING (P06-S360-0004)



Fig. 36 LABEL (P06-S370-0010)

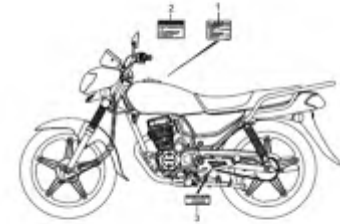


Fig. 37 SEAT (P06-S380-0006)

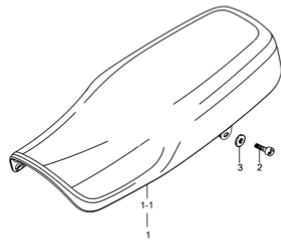


Fig. 38 STEERING STEM (P06-S400-0013)

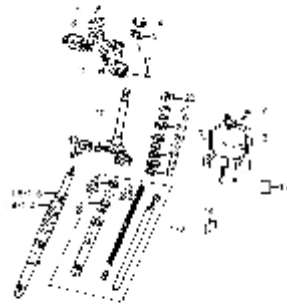


Fig. 39 FRONT WHEEL (P06-S410-0019)

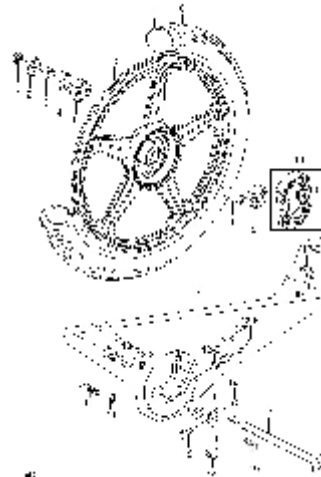
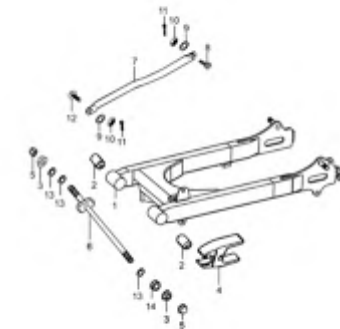


Fig. 40 REAR SWINGING ARM (P06-S440-0018)



1

Fig. 41 REARSHOCK ABSORBER
(P06-S450-0014)

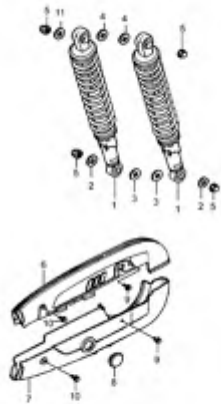


Fig. 42 REAR WHEEL (P06-S460-0030)

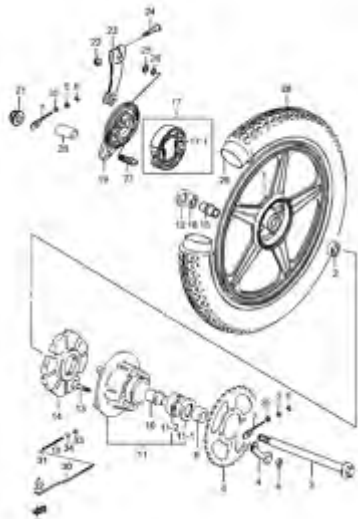


Fig. 43 CARRIER (P06-S480-0009)

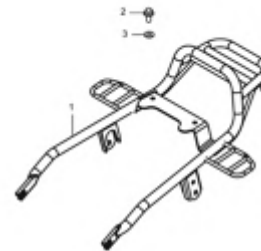


Fig.1

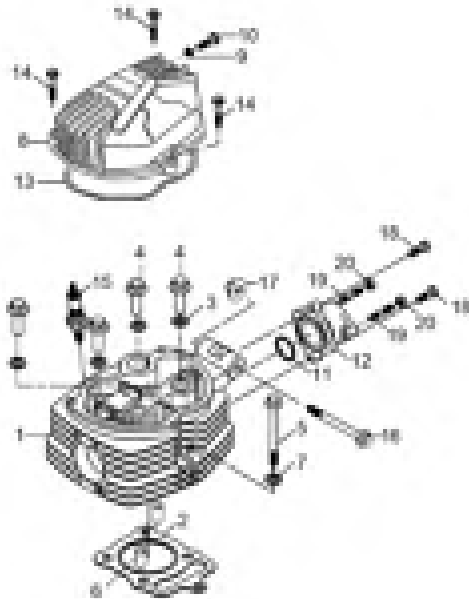


Fig.1 CYLINDER HEAD&CYLINDER HEAD COVER (P06-S010-0008)

REF. No.	PART No.	DESCRIPTION	Q'TY	REMARKS
1	11110H33081H000	HEAD COMP, CYLINDER	1	
2	11141H33000H000	GASKET, CYLINDER HEAD	1	
3	09160H12004H000	WASHER	4	
4	11151H33001H000	NUT, CYLINDER HEAD	4	
5	09103H08009H000	BOLT	1	
6	09206H10008H000	PIN	2	
7	09168-08032-000	GASKET, CYLINDER HEAD NUT	1	
8	11171H33030H000	COVER, CYLINDER HEAD	1	
9	09168-06018-000	GASKET	1	
10	01547-0612A-000	HEXAGON BOLT WITH FLANGE	1	
11	09280H34002H000	O-RING	1	
12	13111H33000H000	PIPE, CARBURETOR	1	
13	11181H33001H000	GASKET, CYLINDER HEAD COVER	1	
14	01550-0628A-000	BOLT, HEXAGON HEAD FLANGE	3	
15	09482H33000H000	SPARK PLUG	1	
16	41919-45F00-000	BOLT, ENG MTG LOWER	1	
17	08319-3108A-000	NUT	1	
18	01547-0620A-000	BOLT	2	
19	01421-0616A-000	BOLT, STUD	2	
20	08310-0006A-000	NUT	2	

2

Fig. 2

2

Fig.2 CYLINDER (P06-S020-0001)

REF. No.	PART No.	DESCRIPTION	Q' TY	REMARKS
1	11210H33002H000	CYLINDER COMP	1	
2	09206H10007H000	PIN, KNOCK	2	
3	01547-0622A-000	BOLTS, HEXAGON HEAD FLANGE	2	
4	11241H33000H000	GASKET, CYLINDER	1	
5	09108H08012H000	BOLT, STUD	2	
6	09108H08013H000	BOLT, STUD	2	

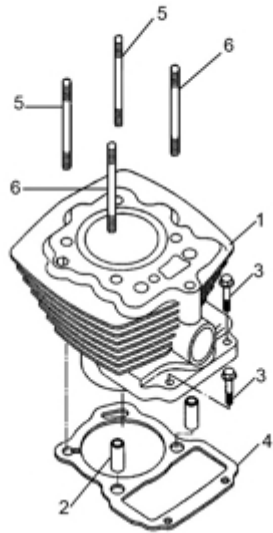


Fig. 3

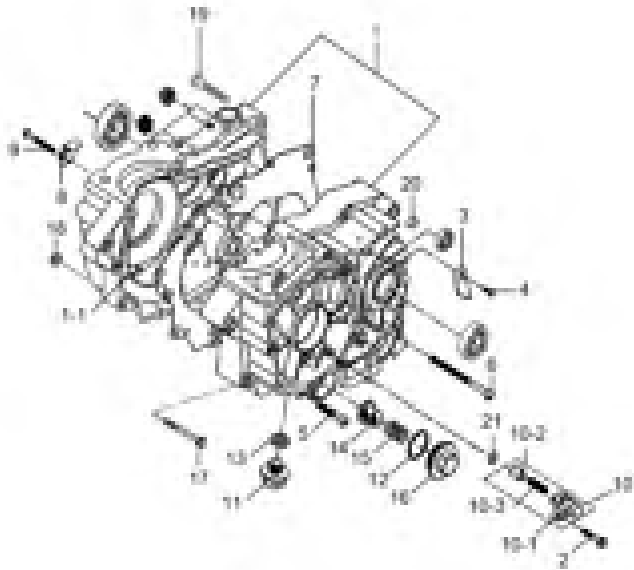


Fig.3 CRANKCASE (P06-S030-0003)

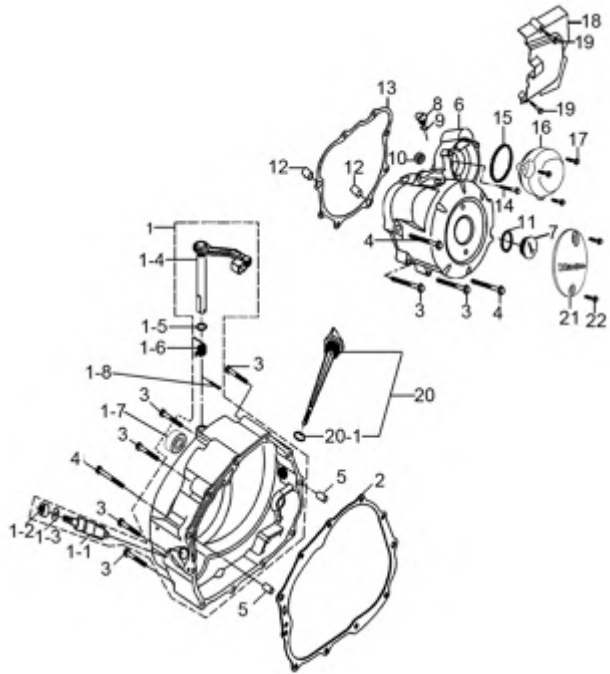
REF. No.	PART No.	DESCRIPTION	Q'TY	REMARKS
1	11300H33Y03H000	CRANKCASE	1	
1-1	09206H10007H000	PIN, KNOCK	2	
2	01547-0625A-000	BOLT	1	
3	11411H33000H000	PLATE	1	
4	01547-0612A-000	HEXAGON BOLT WITH FLANGE	1	
5	02112-0650A-000	CROSS RECESSED HEAD SCREW	9	
6	02112-0695A-000	CROSS RECESSED HEAD SCREW	1	
7	11481H33000H000	GASKET, CRANKCASE	1	
8	11421H33011H000	BRACKET	1	
9	01547-0655A-000	HEXAGON BOLT WITH FLANGE	1	
10	11430H33000H000	HANDSPIKE	1	
10-1	11431H33001H000	BRACKET, BRG PUSH PIN	1	
10-2	11432H33000H000	SEAL	1	
10-3	11433H33000H000	SPRING	1	
11	09247H12105H000	PLUG	1	
12	09280H35001H000	O-RING	1	
13	09168-12002-000	GASKET, TDC PLUG	1	
14	16520H21D00H000	STRAINER, ENGINE OIL	1	
15	16541H33000H000	SPRING	1	
16	16542H33000H000	COVER, ENGINE OIL FILTER	1	
17	09103H08015H000	BOLT, HEXAGON	2	
18	08319-3108A-000	NUT	2	
19	09103H10003H000	BOLT, HEXAGON	2	
20	08319-3110A-000	NUT	2	
21	09280H13002H000	O RING	1	

2

Fig. 4

Fig.4 CRANKCASE COVER (P06-S040-0003)

2



REF. No.	PART No.	DESCRIPTION	Q' TY	REMARKS
1	11342H33Y30H000	COVER OF CLUTCH ASSY	1	
1-1	26431H33000H000	GEAR, TACHOMETER DRIVEN	1	
1-2	09283H07001H000	OIL SEAL	1	
1-3	09181H06001H000	GASKET	1	
1-4	23270H33050H000	ARM COMP, CLUTCH RELEASE	1	
1-5	09280H09009H000	O RING	2	
1-6	23281H33010H000	SPRING, DETACH ROD	1	
1-7	09283H16001H000	OIL SEAL	1	
1-8	09205H03001H000	PIN, SPRING	1	
2	11482H33000H000	GASKET	1	
3	01547-0640A-000	BOLTS, HEXAGON HEAD FLANGE	15	
4	01547-0650A-000	BOLTS, HEXAGON HEAD FLANGE	3	
5	09206H08004H000	PIN, KNOCK	2	
6	11351H33501H000	COVER, MAGNETO	1	
7	11352H33000H000	BOLT	1	
8	11353H33001H000	PLUG, TIMING OBSERVATION HOLE	1	
9	09280H13001H000	O RING	1	
10	09263H10001H000	BEARING, NEEDLE	1	
11	09280H27002H000	O RING	1	
12	09206H10007H000	PIN, KNOCK	2	
13	11483H33000H000	GASKET	1	
14	01547-0625A-000	BOLT	1	
15	09280H62001H000	O RING	1	
16	11441H33300H000	COVER, GEAR CASE	1	
17	01547-0616A-000	BOLT	3	
18	11361H33050H000	COVER, SPROCKET	1	
19	01547-0628A-000	BOLTS, HEXAGON HEAD FLANGE	2	
20	09259H99002H000	GAUGE SET, OIL LEVEL	1	
20-1	09280H18002H000	O RING	1	

Fig. 4

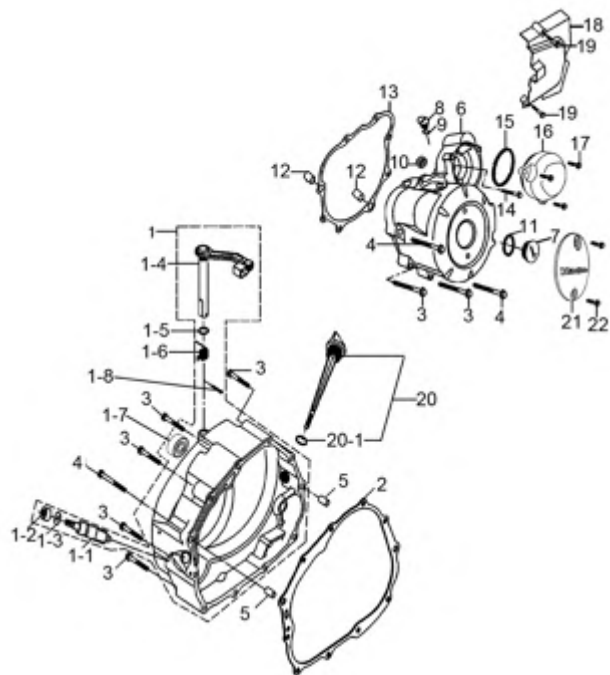


Fig.4 CRANKCASE COVER (P06-S040-0003)

REF. No.	PART No.	DESCRIPTION	Q' TY	REMARKS
21	11384H33021H000	CAP, MAGNETO COVER	1	
22	01547-05107-000	BOLT M6X28	2	

2

Fig. 5

2

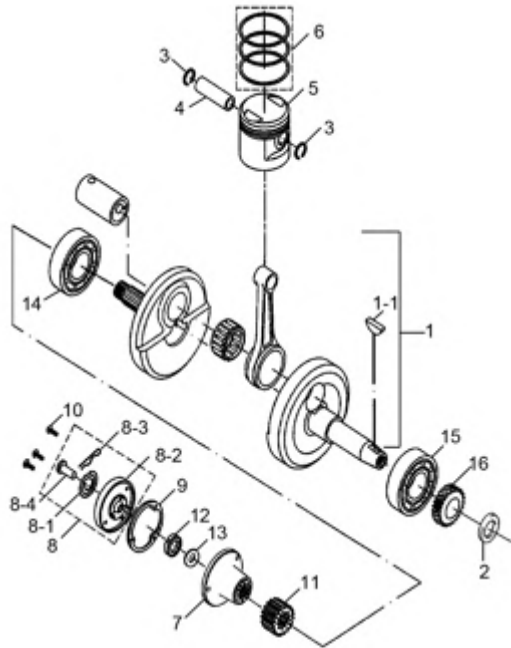


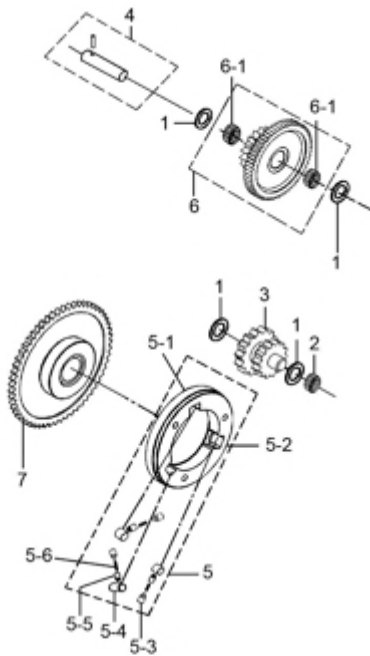
Fig.5 CRANKSHAFT (P06-S050-0004)

REF. No.	PART No.	DESCRIPTION	Q' TY	REMARKS
1	12021H33011H000	CRANKSHAFT ASSY	1	
1-1	09420H04002H000	KEY	1	
2	09283H34001H000	OIL SEAL	1	
3	09381H16001H000	CIRCLIP	2	
4	12151H33000H000	PIN, PISTON	1	
5	12111H33010H000	PISTON	1	
6	12140H33000H000	PISTON RING ASSY	1	
7	16510H33000H000	ROTOR	1	
8	16520H33000H000	COVER ASSY, ENGINE OIL FILTER	1	
8-1	16532H33000H000	SPRING	1	
8-2	16521H33000H000	ROTOR COVER	1	
8-3	16551H33000H000	PIN	1	
8-4	16531H33000H000	OIL PIPE	1	
9	16561H33000H000	GASKET, ROTOR COVER	1	
10	02122-0512A-000	CROSS RECESSED HEAD SCREW	3	
11	21111H33000H000	GEAR, PRIMARY DRIVE	1	
12	16571H33000H000	NUT	1	
13	16581H33000H000	WASHER	1	
14	09262H28001H000	BEARING, RH	1	
15	09262H28002H000	BEARING, LH	1	
16	12751H33000H0B0	TIMING-GEAR	1	

Fig. 6

Fig.6 STARTER CLUTCH (P06-S060-0002)

REF. No.	PART No.	DESCRIPTION	Q'TY	REMARKS
1	09181H10190H000	WASHER	4	
2	09263H10001H000	BEARING, NEEDLE	1	
3	12651H33000H000	IDLER GEAR	1	
4	12660H33000H000	AXLE, GEAR	1	
5	12630H33010H000	HUB COMP, STARTER CLUTCH	1	
5-1	12642H33010H000	PLATE, STARTER CLUTCH HUB	1	
5-2	12631H33010H000	HUB, STARTER CLUTCH	1	
5-3	12632H33010H000	PLUG, STARTER CLUTCH HUB	3	
5-4	09261H10008H000	ROLLER	3	
5-5	12633H33010H000	PIECE, STARTER CLUTCH RLR PUSH	3	
5-6	09440H04017H000	SPRING, COMPRESSION	3	
6	12680H33000H000	STARTUP GEAR ASSY	1	
6-1	09263H10001H000	BEARING, NEEDLE	2	
7	12620H33000H000	GEAR, STARTER IDLE	1	



2

Fig. 7

2

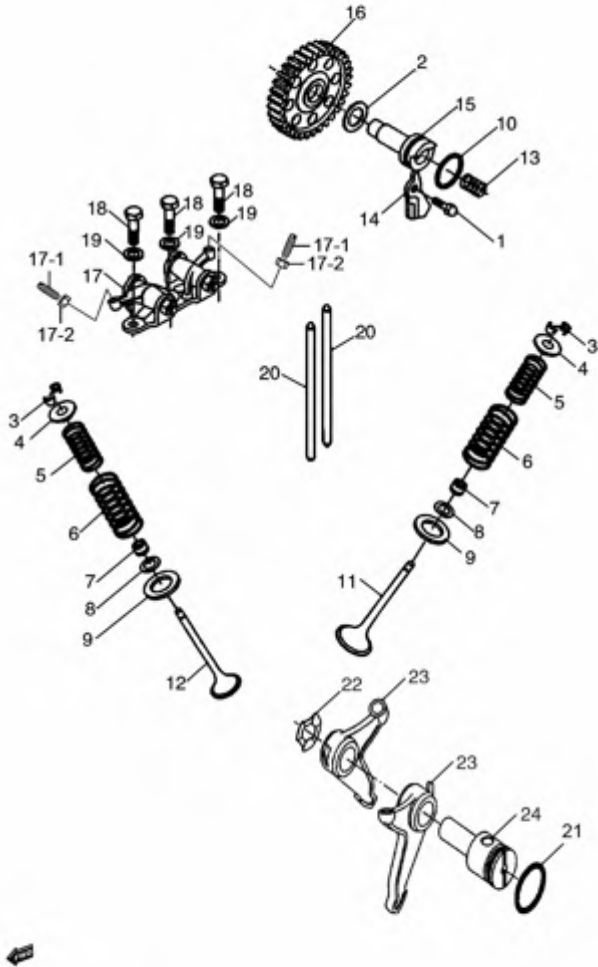


Fig.7 CAMSHAFT-VALVE (P06-S070-0003)

REF. No.	PART No.	DESCRIPTION	Q' TY	REMARKS
1	01547-0612A-000	HEXAGON BOLT WITH FLANGE	1	
2	08211-14241-000	GASKET	1	
3	12932H33010H000	COTTER, VALVE	4	
4	12931H33000H000	VALVE SPRING TRAY	2	
5	12921H33000H000	VALVE INSIDE SPRING	2	
6	12922H33000H000	VALVE OUTSIDE SPRING	2	
7	09289H06001H000	OIL SEAL	2	
8	09181H12180H000	GASKET, VALVE INSIDE SPRING	2	
9	09181-19261-000	GASKET, VALVE OUTSIDE SPRING	2	
10	09280H20003H000	O RING	1	
11	12911H33000H000	VALVE, INTAKE	1	
12	12912H33000H000	VALVE, EXHAUST	1	
13	09440H13004H000	SPRING	1	
14	12741H33001H000	LIMITED LITTLE BOARD	1	
15	12731H33010H0A0	SHAFT, CAM GEAR	1	
16	12710H33010H0C0	GEAR COMP, CAM	1	
17	12840H33010H000	ARM SET VALVE ROCKER	1	
17-1	12851H33000H000	SCREW	2	
17-2	12852H33000H000	NUT	2	
18	12871H33010H000	BOLT	3	
19	09160H08005H000	GASKET	3	
20	12873H33000H000	HANDSPIKE	2	
21	09280H17001H000	O RING	1	
22	09164H12001H000	FLEXUOUS GASKET	1	
23	12843H33000H000	UNDERSIDE ROCKER	2	
24	12862H33000H000	SHAFT, UNDERSIDE ROCKER	1	

Fig. 8

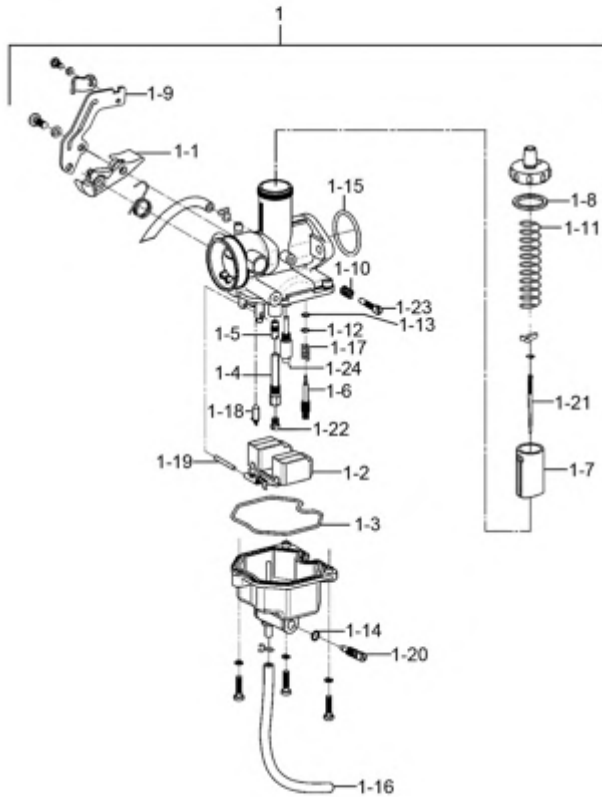


Fig.8 CARBURETOR (P06-S090-0008)

REF. No.	PART No.	DESCRIPTION	Q'TY	REMARKS
1	13200H12950H000	CARBURETOR ASSY	1	
1-1	13432H33000H000	LEVER CHOKE	1	
1-2	13252H33000H000	FLOAT COMP	1	
1-3	13251H33000H000	FLOAT CHAMBER GASKET	1	
1-4	13385H36600H000	JET HOLDER	1	
1-5	09494H12900H000	NEEDLE JET	1	
1-6	13279H12700H000	ADJUSTER	1	
1-7	13251H11200H000	POSTON VALVE	1	
1-8	13255H11200H000	TOP GASKET	1	
1-9	13270H12900H000	BRACKET	1	
1-10	13263H11200H000	COMPRESSION SPRING	1	
1-11	13252H11200H000	COMPRESSION SPRING	1	
1-12	13262H11200H000	WASHER	1	
1-13	13295H21D00H000	O RING	1	
1-14	13225H11200H000	O RING	1	
1-15	13253H33000H000	O RING	1	
1-16	13223H11210H000	HOSE	1	
1-17	13268H33000H000	SPRING COMPR	1	
1-18	13370H21D00H000	VALVE ASSY, NEEDLE	1	
1-19	13254H21D00H000	PIN	1	
1-20	13247H33000H000	DRAIN SCREW	1	
1-21	13383H12950H000	JET NEEDLE	1	
1-22	09491H22000H000	MAIN JET	1	
1-23	13267H33000H000	SPRING SCREW	1	
1-24	13245H11200H000	PILOT JET	1	

2



Fig. 9

2

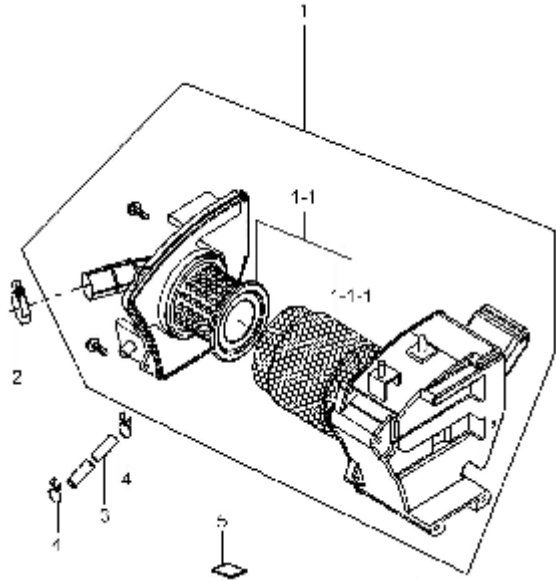


Fig.9 AIR CLEANER (P06-S100-0003)

REF. No.	PART No.	DESCRIPTION	Q' TY	REMARKS
1	13700H12912H000	CLEANER ASSY, AIR	1	
1-1	13780H12910H000	FILTER ASSY, AIR CLEANER	1	
1-1-1	13781H12910H000	FILTER, AIR CLEANER	1	
2	09402-46203-000	CLAMP	1	
3	13851H12911H000	TUBE, BREATHER	1	
4	09401-15101-000	CLIP, 2ND AIR CLNR HOSE	2	
5	44281-37G00-000	CUSHION, FUEL TANK	1	

Fig. 10

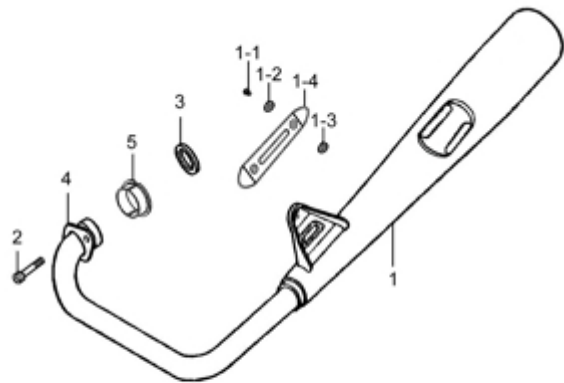


Fig.10 MUFFLER (P06-S110-0006)

REF. No.	PART No.	DESCRIPTION	Q'TY	REMARKS
1	14305H12B01H000	MUFFLER COMP	1	
1-1	09139-06078-000	SCREW	2	
1-2	09160-06094-000	WASHER, PLAIN	2	
1-3	09168-06122-000	WASHER, MUF COVER INSULATOR	2	
1-4	14791H12900H000	COVER, MUF BODY	1	
2	07130-0825A-000	BOLT	2	
3	14181H11200H000	CUSHION	1	
4	14182H12900H000	FLANGE, EXHAUST PIPE	1	
5	14181H16000H000	SNAP RING, EXHAUST PIPE	2	

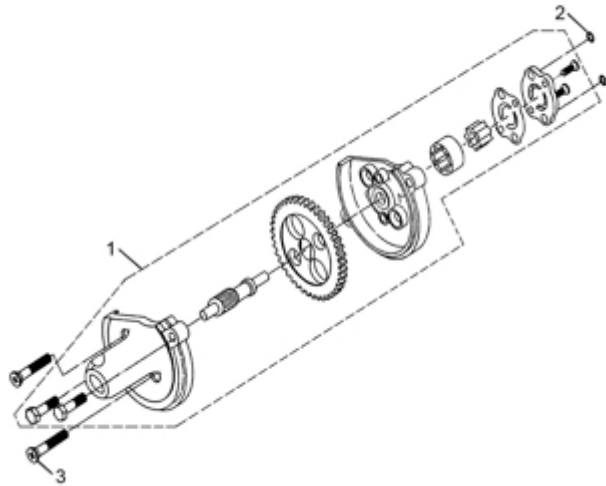
2



Fig. 11

Fig.11 OIL PUMP (P06-S130-0003)

REF. No.	PART No.	DESCRIPTION	Q' TY	REMARKS
1	16400H33020H000	PUMP ASSY, ENGINE OIL	1	
2	09280H09008H000	O RING	2	
3	02122-0628A-000	CROSS RECESSED HEAD SCREW	2	



2

Fig. 12

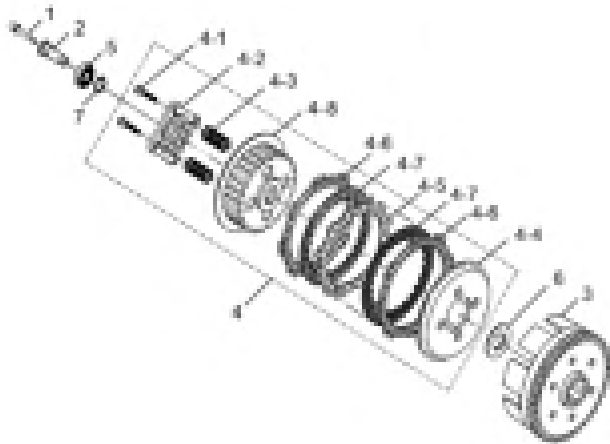


Fig.12 CLUTCH (P06-S140-0002)

REF. No.	PART No.	DESCRIPTION	Q'TY	REMARKS
1	23131H33010H000	PUSH SET, CLUTCH	1	
2	23121H33020H000	GUIDE PIN, CLUTCH	1	
3	21210H33030H000	HUB COMP, PRIMARY DRIVE	1	
4	21410H33070H000	HUB ASSY, CLUTCH SLEEVE	1	
4-1	01550-0625A-000	BOLT	4	
4-2	21471H33020H000	PUSH SET, CLUTCH	1	
4-3	09440H33000H000	SPRING CLUTCH	4	
4-4	21461H33000H000	HUB, DRIVEN	1	
4-5	21441H33010H000	PLATE, CLUTCH DRIVE	3	
4-6	21441H33020H000	PLATE, CLUTCH DRIVE	2	
4-7	21451H33000H000	PLATE, CLUTCH DRIVEN	4	
4-8	21421H33000H000	SEAT, HUB DRIVER	1	
5	09262H17001H000	BEARING, CLUTCH	1	
6	21481H33000H000	WASHER	1	
7	08331-31209-000	CIRCLIP	1	

2

Fig. 13

2

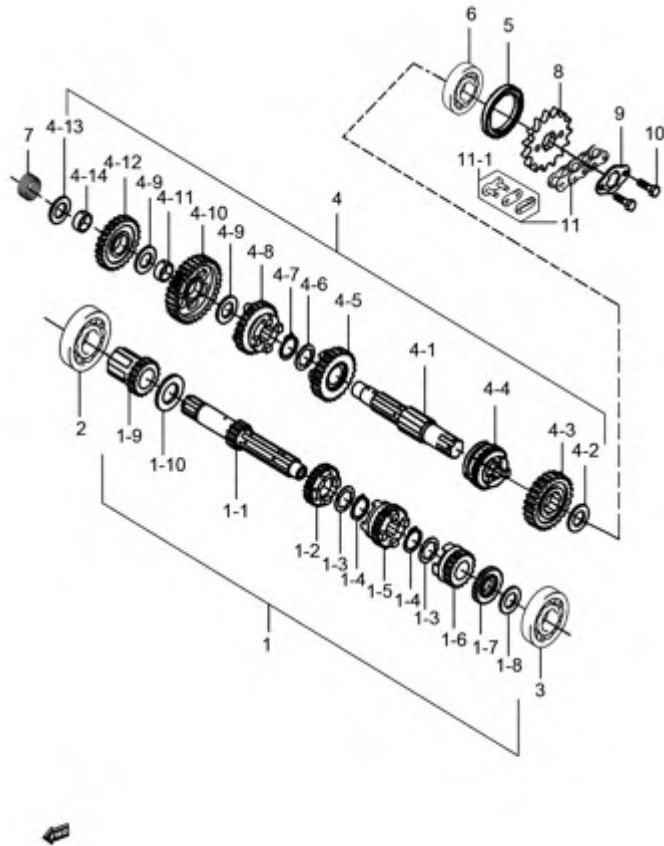
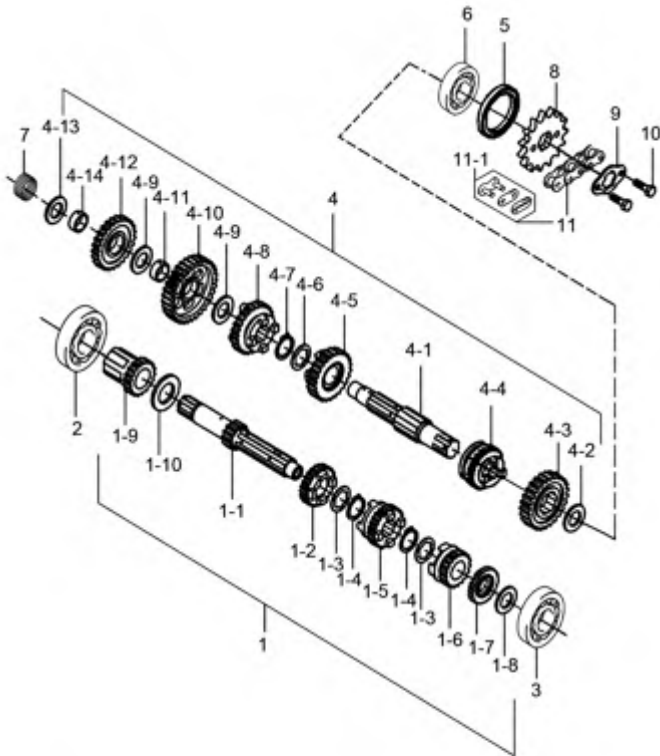


Fig.13 TRANSMISSION (P06-S150-0002)

REF. No.	PART No.	DESCRIPTION	Q' TY	REMARKS
1	24130H33011H000	SHAFT ASSY, DRIVE	1	
1-1	24131H33011H000	SHAFT, DRIVE	1	
1-2	24231H33010H000	GEAR, 3RD DRIVE	1	
1-3	24232H33000H000	WASHER	2	
1-4	08331-31209-000	CIRCLIP	2	
1-5	24241H33000H000	GEAR, 4TH DRIVE	1	
1-6	24251H33000H000	GEAR, 5TH DRIVE	1	
1-7	24221H33000H000	GEAR, 2ND DRIVE	1	
1-8	08211-15251-000	WASHER, 1ST DRIVEN GEAR, R THR	1	
1-9	24210H33000H000	GEAR COMP, DRIVE	1	
1-10	09181H20270H000	WASHER	1	
2	08110-60060-000	BEARING	1	
3	09262H15009H000	BEARING	1	
4	24120H33020H000	SHAFT COMP, COUNTER	1	
4-1	24121H33020H000	SHAFT DRIVEN	1	
4-2	08211-20271-000	WASHER	1	
4-3	24321H33020H000	GEAR, 2ND DRIVEN	1	
4-4	24351H33000H000	GEAR, 5TH DRIVEN	1	
4-5	24341H33010H000	GEAR, 4TH DRIVEN	1	
4-6	24232H33000H000	WASHER	1	
4-7	08331-31209-000	CIRCLIP	1	
4-8	24331H33010H000	GEAR, 3RD DRIVEN	1	
4-9	09181H17240H000	WASHER	2	
4-10	24311H33010H000	GEAR, 1ST DRIVEN	1	
4-11	24312H33000H000	BUSH	1	
4-12	24301H33000H000	GEAR, DRIVEN	1	
4-13	08211-15301-000	WASHER	1	
4-14	24302H33000H000	BUSH, DRIVEN	1	
5	09283H20001H000	SEAL, OIL	1	

Fig. 13

Fig.13 TRANSMISSION (P06-S150-0002)



REF. No.	PART No.	DESCRIPTION	Q' TY	REMARKS
6	08110-62040-000	BEARING, DRIVE SHAFT	1	
7	09263H15001H000	ROLLER BEARING	1	
8	27511H33030H000	SPROCKET, ENGINE	1	
9	27521H33010H000	WASHER	1	
10	01500-0610A-000	BOLT	2	
11	27600H2A000H108	CHAIN ASSY, DRIVE	1	
11-1	27620H2A000H000	JOINT SET, CHAIN	1	

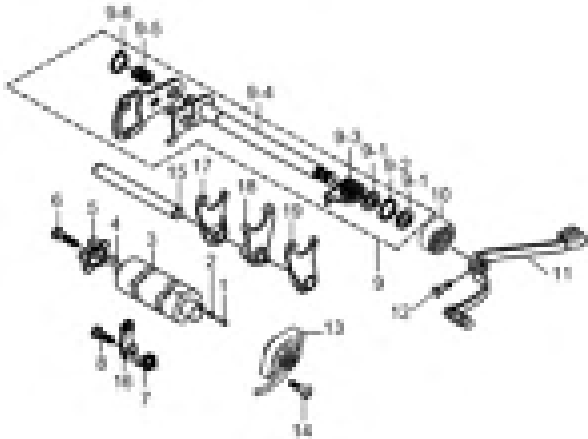
2



Fig. 14

Fig.14 GEAR SHIFTING (P06-S160-0003)

2



REF. No.	PART No.	DESCRIPTION	Q'TY	REMARKS
1	25311H33000H000	PIN	1	
2	09440H04010H000	SPRING, COMPRESSION	1	
3	25310H33001H000	CAM COMP, GEAR SHIFT	1	
4	04221-04109-000	PIN	1	
5	25381H33000H000	PIN, FIXING CAM	1	
6	01500-0625A-000	BOLTS, HEXAGON HEAD	1	
7	25351H33000H000	SPRING	1	
8	09100H06022H000	BOLT	1	
9	25500H33030H000	SHAFT ASSY, GEAR SHIFT	1	
9-1	09181H16200H000	WASHER	2	
9-2	08331-31149-000	CIRCLIP, KICK SHAFT	1	
9-3	25531H33000H000	SPRING, SHIFT SHAFT RETURN	1	
9-4	25510H33030H000	SHAFT COMP, GEAR SHIFT	1	
9-5	25561H33000H000	SPRING	1	
9-6	08331-31129-000	CIRCLIP	1	
10	09283H14001H000	OIL SEAL	1	
11	25300H12900H000	LEVER ASSY, GEAR SHIFT	1	
12	01500-0620A-000	BOLT	1	
13	37720H33031H000	BASE ASSY, GEAR SHIFT TERM	1	
14	02112-0418A-000	CROSS RECESSED HEAD SCREW	2	
15	25411H33000H000	SHAFT	1	
16	25350H33000H000	STOPPER COMP, GEAR SHIFT CAM	1	
17	25211H33000H000	FORK, GEAR SHIFT, R	1	
18	25231H33000H000	FORK, GEAR SHIFT, MIDDLE	1	
19	25241H33000H000	FORK, GEAR SHIFT, L	1	

Fig. 15

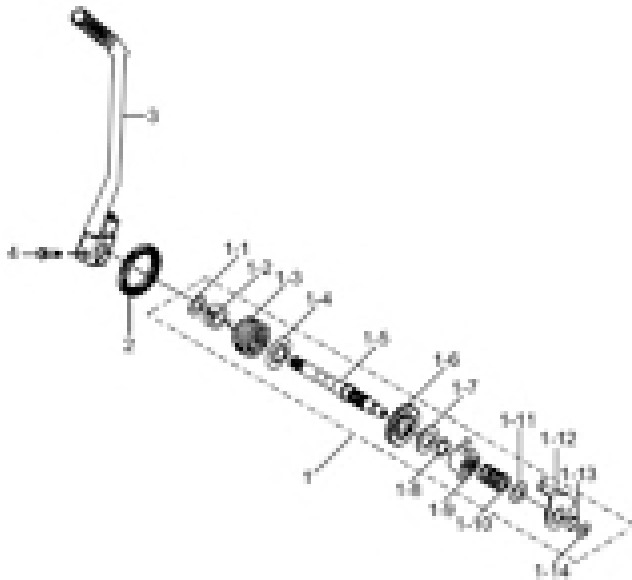


Fig.15 KICK STARTER (P06-S165-0002)

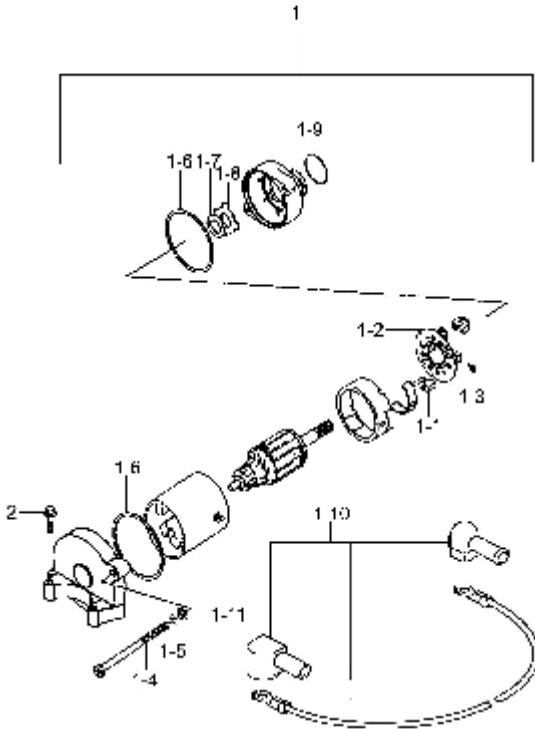
REF. No.	PART No.	DESCRIPTION	Q'TY	REMARKS
1	26210H33020H000	SHAFT COMP, KICK STARTER	1	
1-1	08211-16301-000	WASHER	1	
1-2	26211H33010H000	BUSH	1	
1-3	26221H33000H000	SPRING	1	
1-4	26222H33000H000	SEAT, SPRING	1	
1-5	26231H33020H000	SHAFT, KICK STARTER	1	
1-6	26241H33000H000	GEAR, KICK STARTER DRIVE	1	
1-7	09181H20270H000	WASHER	1	
1-8	08331-31209-000	CIRCLIP	1	
1-9	26251H33000H000	RATCHET WHEEL	1	
1-10	26252H33000H000	SPRING RATCHET	1	
1-11	08211-16241-000	WASHER	1	
1-12	26261H33000H000	GUIDE	1	
1-13	08331-31169-000	CIRCLIP	1	
1-14	08211-12181-000	WASHER	1	
2	09283H16001H000	OIL SEAL	1	
3	26300H12900H000	LEVER ASSY, KICK STARTER	1	
4	01500-0825A-000	BOLTS, HEXAGON HEAD	1	

2

Fig. 16

Fig.16 STARTING MOTOR (P06-S170-0001)

REF. No.	PART No.	DESCRIPTION	Q' TY	REMARKS
1	31100H33021H000	MOTOR ASSY, STARTING	1	
1-1	31130H33000H000	BRUSH, STARTER	1	
1-2	31133H33000H000	BRUSH SUB ASSY	1	
1-3	31135H33000H000	SPRING	4	
1-4	31281H33000H000	SCREW	2	
1-5	08321-0105A-000	SPRING LOCK WASHER	2	
1-6	31264H33000H000	O RING	2	
1-7	31362H33000H000	WASHER	1	
1-8	31361H33000H000	WASHER	1	
1-9	09280H33000H000	O RING	1	
1-10	33810H33021H000	WIRE, STARTER MOTOR	1	
1-11	08322-01058-000	WASHER	2	
2	01550-0628A-000	BOLT, HEXAGON HEAD FLANGE	2	



3

Fig. 17

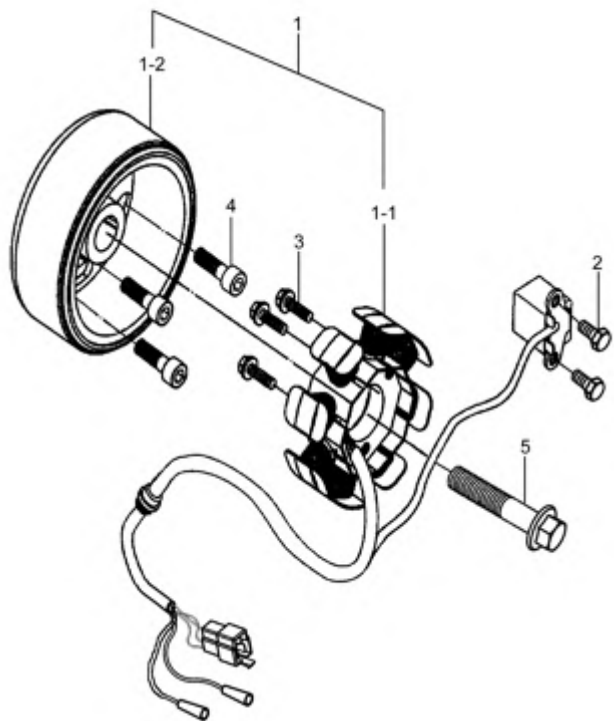


Fig.17 MAGNETO (P06-S180-0003)

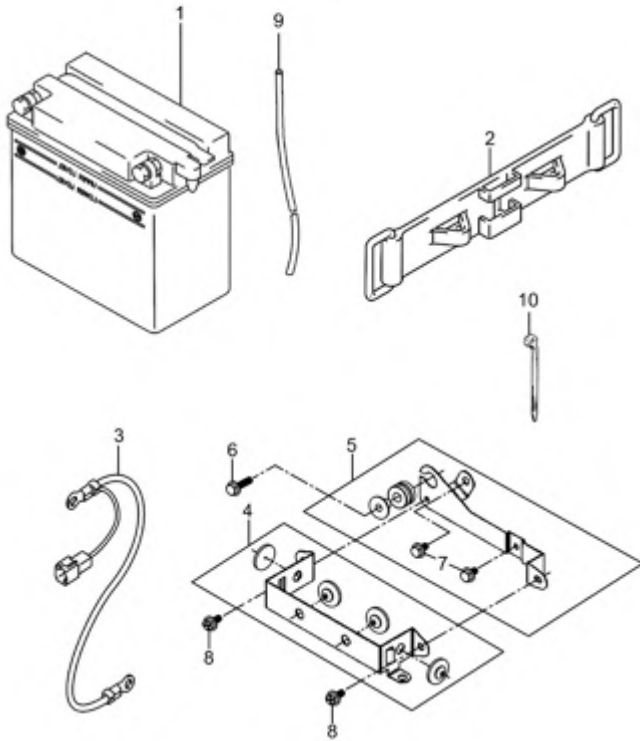
REF. No.	PART No.	DESCRIPTION	Q' TY	REMARKS
1	32100H33091H000	MAGNETO ASSY	1	
1-1	32101H33091H000	STATOR ASSY	1	
1-2	32102H33090H000	ROTOR ASSY	1	
2	09100H05004H000	BOLT, HEXAGON	2	
3	01547-0525A-000	BOLTS, HEXAGON HEAD FLANGE	3	
4	32491H33010H000	BOLT, MAGNETO ROTOR	3	
5	32111H33010H000	BOLT, MAGNETO	1	

3

Fig. 18

Fig.18 BATTERY (P06-S190-0004)

REF. No.	PART No.	DESCRIPTION	Q' TY	REMARKS
1	33611H12911H000	BATTERY	1	
2	33651-45F11-000	BAND, BATTERY	1	
3	33860H12900H000	WIRE, BATTERY MINUS LEAD	1	
4	41540H12900H000	HOLDER ASSY, BATTERY	1	
5	41560H12900H000	BRACKET ASSY, BATTERY	1	
6	01550-0625A-000	BOLT	1	
7	01550-0612B-000	BOLT	2	
8	09136H06153H000	SCREW, BOX	2	
9	33680H12920H000	HOSE, BATTERY EXHAUST	1	
10	09407H15401H000	CLAMP, WIRING HARNESS	1	



3

Fig. 19

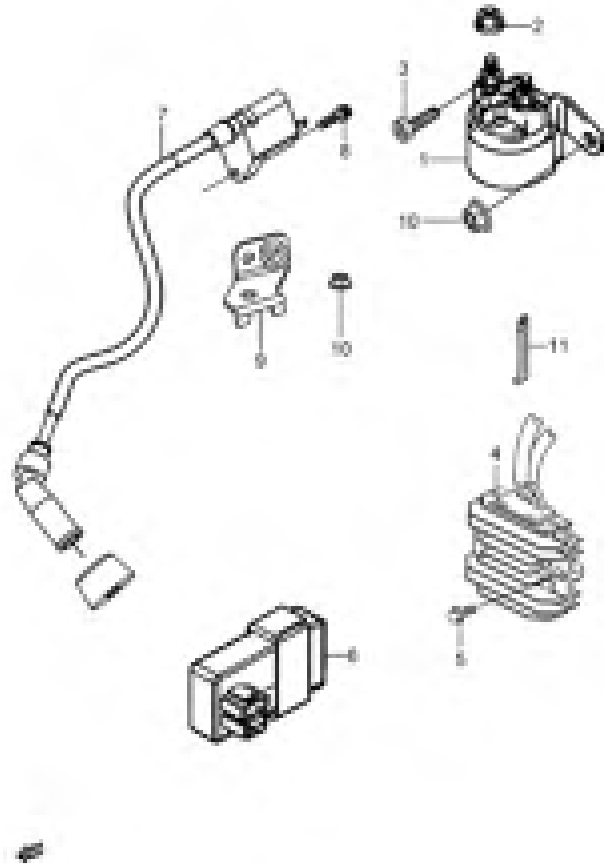


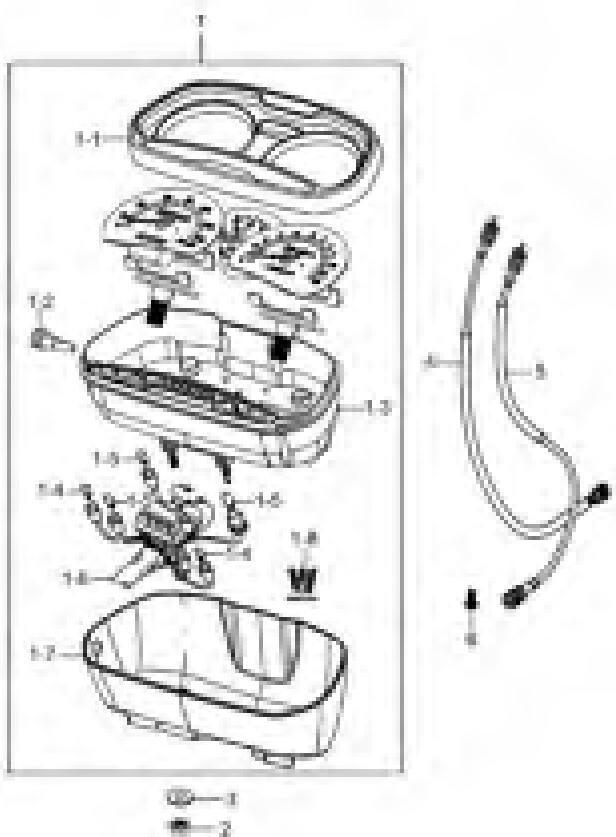
Fig.19 ELECTRICAL (P06-S200-0007)

REF. No.	PART No.	DESCRIPTION	Q' TY	REMARKS
1	31800-49110-000	RELAY ASSY, STARTING MOTOR	1	
2	08361-3506A-000	NUT	2	
3	09128-06004-000	SCREW, STG MOT RLY	1	
4	32800H05522H000	RECTIFIER ASSY	1	
5	01550-0616B-000	BOLT	2	
6	32900H12B00H000	IGNITER ASSY	1	
7	33410H12902H000	COIL ASSY, IGNITION	1	
8	02112-1520A-000	CROSS RECESSED HEAD SCREW	1	
9	41894H12601HN00	BRACKET COMP, IGNITION COIL	1	
10	08316-1006B-000	NUT	2	
11	36651H12800H000	CLAMP, WIRING HARNESS	1	

3

Fig. 20

Fig.20 SPEEDOMETER (P06-S210-0009)



REF. No.	PART No.	DESCRIPTION	Q' TY	REMARKS
1	34100H12922H000	SPEEDOMETER ASSY	1	
1-1	34112H12900H000	CASE, SPEEDOMETER UPPER	1	
1-2	34980H12900H000	KNOB	1	
1-3	34111H12920H000	CASE, SPEEDOMETER	1	
1-4	09471-12196-000	BULB, CUNIFORM LAMP HOLDER	2	12V 3W
1-5	09471-12077-000	BULB	5	12V 2W
1-6	34173H12930H000	WIRE HARNESS, METER	1	
1-7	34152H12900H000	LOW CASE, METER	1	
1-8	68170H12910H000	LOGO	1	
2	08310-0006A-000	NUT	3	
3	09160-06129-000	WASHER, PLAIN	3	
4	34910H12E00H000	CABLE ASSY, SPEEDOMETER	1	
5	34940H13130H000	CABLE ASSY, TACHOMETER	1	
6	02132-05257-000	SCREW	1	

3

Fig. 21

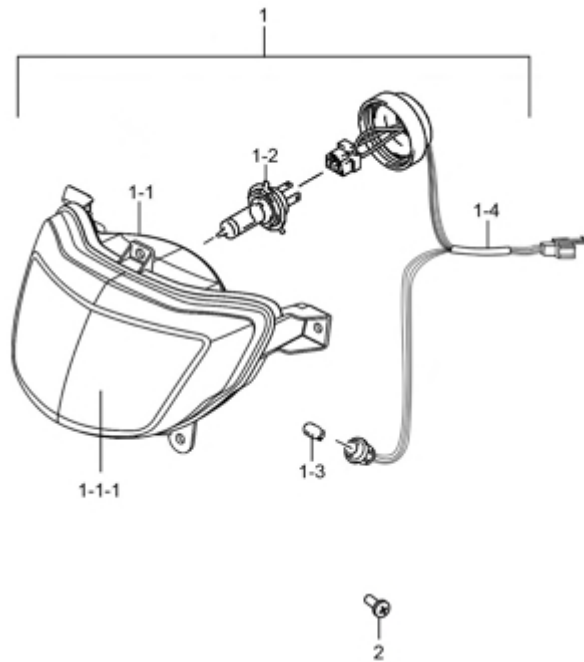


Fig.21 HEADLAMP (P06-S220-0006)

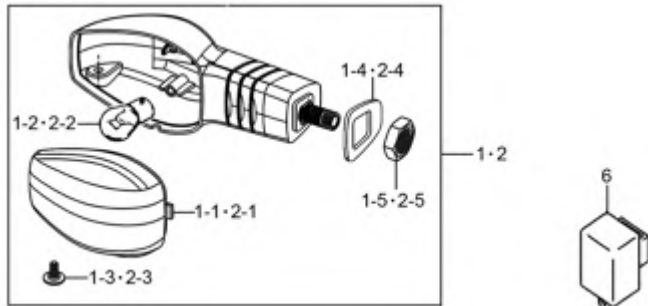
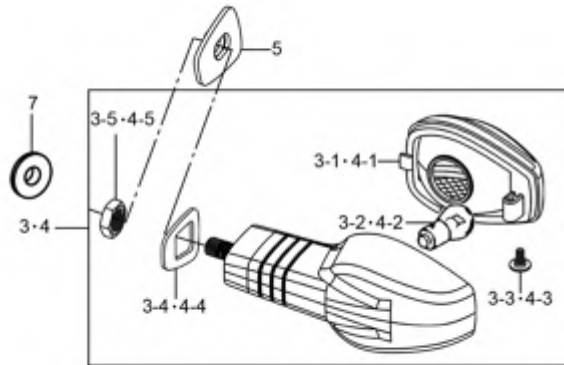
REF. No.	PART No.	DESCRIPTION	Q'TY	REMARKS
1	35100H12800H000	HEADLAMP ASSY	1	
1-1	35121H12800H000	UNIT, HEADLAMP	1	
1-1-1	35124H12800H000	LENS, HEADLAMP	1	
1-2	09471H12001H000	BULB (12V, 35/35W)	1	HS1 12V 35/35W
1-3	09471-12081-000	BULB, POSITION LAMP	1	12V 5W
1-4	35171H12800H000	CORD, HEADLAMP	1	
2	02142-0508A-000	CROSS RECESSED HEAD SCREW	2	

3



Fig. 22

Fig.22 TURN SIGNAL LAMP (P06-S230-0005)



REF. No.	PART No.	DESCRIPTION	Q' TY	REMARKS
1	35601H12911H000	LAMP ASSY, FRONT TURNSIGNAL, R	1	
1-1	35612H12911H000	LENS, FRONT TURNSIGNAL, R	1	
1-2	09471-12177-000	BULB (12V 10W)	1	12V 10W
1-3	03541-0412A-000	CROSS RECESSED HEAD TAPPING SCREW	1	
1-4	35616H12910H000	PLATE, TURNSIGNAL	1	
1-5	08310-0010A-000	HEXAGON NUT	1	
2	35602H12911H000	LAMP ASSY, FRONT TURNSIGNAL, L	1	
2-1	35632H12911H000	LENS, FRONT TURNSIGNAL, L	1	
2-2	09471-12177-000	BULB (12V 10W)	1	12V 10W
2-3	03541-0412A-000	CROSS RECESSED HEAD TAPPING SCREW	1	
2-4	35616H12910H000	PLATE, TURNSIGNAL	1	
2-5	08310-0010A-000	HEXAGON NUT	1	
3	35603H12911H000	LAMP ASSY, REAR TURNSIGNAL, R	1	
3-1	35632H12911H000	LENS, FRONT TURNSIGNAL, L	1	
3-2	09471-12177-000	BULB (12V 10W)	1	12V 10W
3-3	03541-0412A-000	CROSS RECESSED HEAD TAPPING SCREW	1	
3-4	35616H12910H000	PLATE, TURNSIGNAL	1	
3-5	08310-0010A-000	HEXAGON NUT	1	
4	35604H12911H000	LAMP ASSY, REAR TURNSIGNAL, L	1	
4-1	35612H12911H000	LENS, FRONT TURNSIGNAL, R	1	
4-2	09471-12177-000	BULB (12V 10W)	1	12V 10W
4-3	03541-0412A-000	CROSS RECESSED HEAD TAPPING SCREW	1	
4-4	35616H12910H000	PLATE, TURNSIGNAL	1	
4-5	08310-0010A-000	HEXAGON NUT	1	
5	35695H12900H000	SPACER, REAR TURNSIGNAL	2	

3

Fig. 22

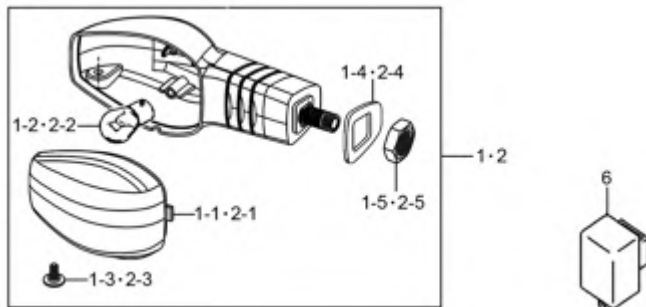
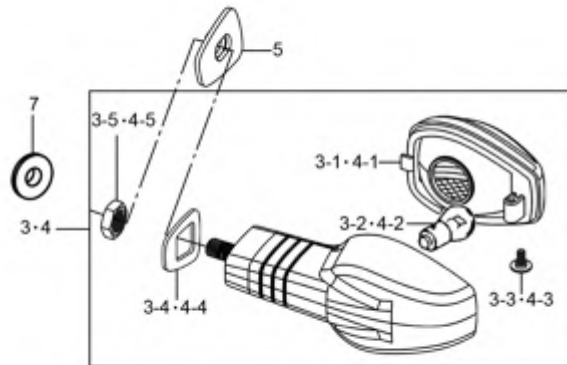


Fig.22 TURN SIGNAL LAMP (P06-S230-0005)

REF. No.	PART No.	DESCRIPTION	Q' TY	REMARKS
6	38610H11222H000	RELAY ASSY, TURNSIGNAL	1	
7	09160-10501-000	WASHER, PLAIN	2	

3



Fig. 23

3

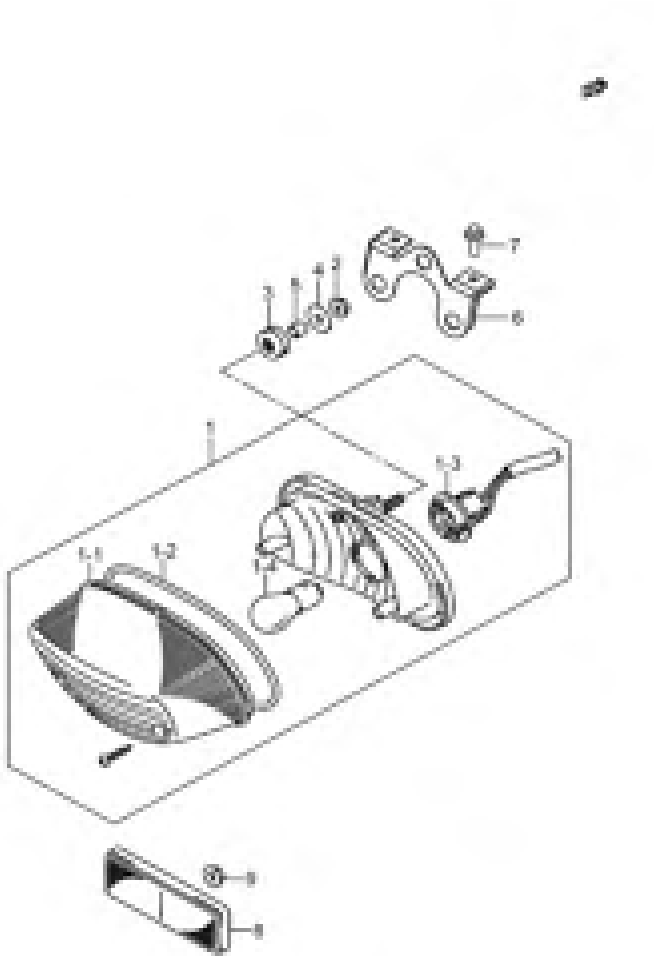


Fig.23 REAR COMBINATION LAMP (P06-S240-0007)

REF. No.	PART No.	DESCRIPTION	Q' TY	REMARKS
1	35710H12B00H000	LAMP ASSY, REAR COMB	1	
1-1	35712H12B00H000	LENS, REAR COMB	1	
1-2	35713H12B00H000	GASKET, REAR COMB	1	
1-3	35718H12B00H000	CORD COMP, REAR COMB	1	
1-4	09471-12128-000	BULB (12V, 21/5W)	1	12V 21/5W
2	08316-1006B-000	NUT	3	
3	09320-09009-000	CUSHION, REAR COMB	3	
4	09160-06088-000	WASHER, REAR COMB LAMP	3	
5	09180-06285-000	SPACER, REAR COMB	3	
6	35726H12B00H000	BRACKET, REAR COMB LAMP	1	
7	01550-0612B-000	BOLT	2	
8	35970-04H01-000	REFLEX REFLECTOR ASSY, REAR	1	
9	08316-1005B-000	NUT	1	

Fig. 24

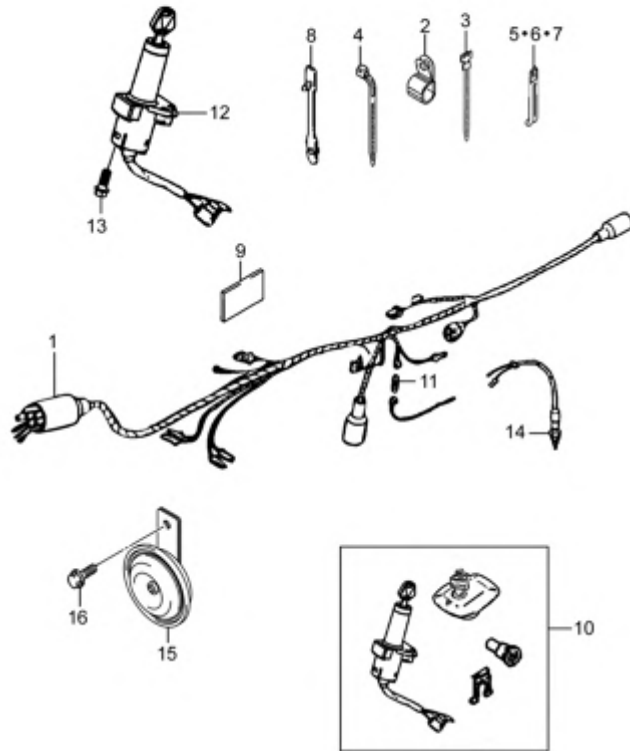


Fig.24 WIRING HARNESS (P06-S250-0008)

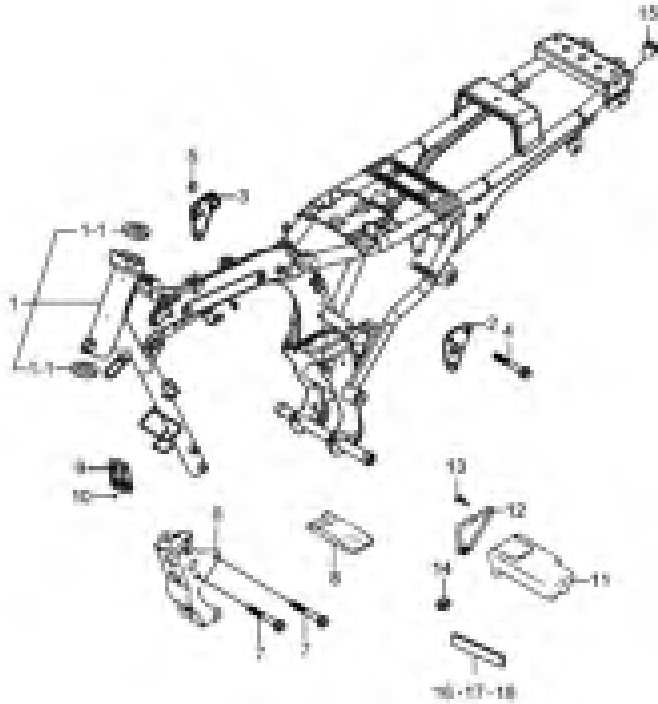
REF. No.	PART No.	DESCRIPTION	Q' TY	REMARKS
1	36610H12B00H000	HARNESS WIRING	1	
2	36619H12901H000	CLAMP, WIRING HARNESS	1	
3	09407-12402-000	CLAMP, WIRING HARNESS	4	L=228
4	09407-14403-000	CLAMP, FUEL HOSE	1	L=125
5	36651H12500H000	CLAMP	1	L=74. 5
6	36651H12900H000	CLAMP	1	L=90
7	09404-06431-000	CLAMP, WIRING HARNESS	1	L=80
8	09407-05403-000	CLAMP, REAR FENDER	4	
9	44256H12901H000	SEPARATOR	2	70X40X5
10	37019H12670H000	LOCK SET	1	
11	09481-15001-000	FUSE	1	
12	37100H12611H000	LOCK ASSY, STEERING	1	
13	37101H11200H000	BOLT	2	
14	37740H73100H000	SWITCH ASSY, STOP LAMP	1	
15	38500H12601H000	HORN ASSY	1	
16	01550-0612B-000	BOLT	1	

3

Fig. 25

Fig.25 FRAME (P06-S260-0020)

REF. No.	PART No.	DESCRIPTION	Q' TY	REMARKS
1	41100H12Y44H000	FRAME SET	1	
1-1	51611H11200H000	INSIDE RACE	2	
2	41993H11200H000	PLATE, LEFT UPPER	1	
3	41991H11200H000	PLATE, RIGHT UPPER	1	
4	41919-45F00-000	BOLT, ENG MTG LOWER	2	
5	08319-3108A-000	NUT	4	
6	41992H12901H000	BRACKET, ENG. MTG LOWER	1	
7	09103H08013H000	BOLT, HEXAGON	2	
8	09800H20005H000	TOOL ASSY	1	
9	68311-45F01-000	NAMEPLATE, FRAME	1	
10	68389-45F00-000	RIVET	2	
11	47431H12900H000	BOX, TOOL	1	
12	47432H12900H000	CAP, TOOL BOX	1	
13	02112-1520B-000	CROSS RECESSED HEAD SCREW	2	
14	47312H02100H000	RUBBER CUSHION	1	
15	41523H12B00H000	PLUG, FRAME COMP	2	
16	47437H12B00H000	CUSHION, AIR CLNR, NO. 1	1	110X10X7
17	47438H12B00H000	CUSHION, AIR CLNR, NO. 2	1	70X10X3
18	47439H12B00H000	CUSHION, AIR CLNR, NO. 3	1	22X10X3



4

Fig. 26

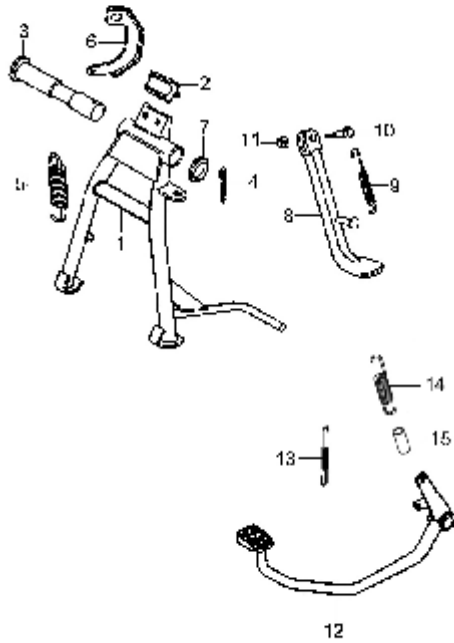


Fig.26 STAND (P06-S270-0009)

REF. No.	PART No.	DESCRIPTION	Q'TY	REMARKS
1	42100H12600H000	STAND COMP, CENTER	1	
2	42278H12900H000	STOPPER, CENTER STAND	2	
3	42211H11200H000	AXLE	1	
4	04111-2525A-000	COTTER PIN	1	
5	09443H18101H000	SPRING, TENSION	1	
6	42112H12900H000	SPRING PLATE, CENTER STAND	1	
7	43142H11200H000	WASHER	1	
8	42310H12900H000	STAND COMP, PROP	1	
9	42321H11200H000	SPRING	1	
10	42322H11201H000	BOLT, SIDE STAND	1	
11	09159H10097H000	NUT	1	
12	43110H12910H000	PEDAL COMP, BRAKE	1	
13	09443H05002H000	SPRING, TENSION	1	
14	09443H14004H000	SPRING, TENSION	1	
15	43142H21302H000	HOSE, RUBBER	1	

4

Fig. 27

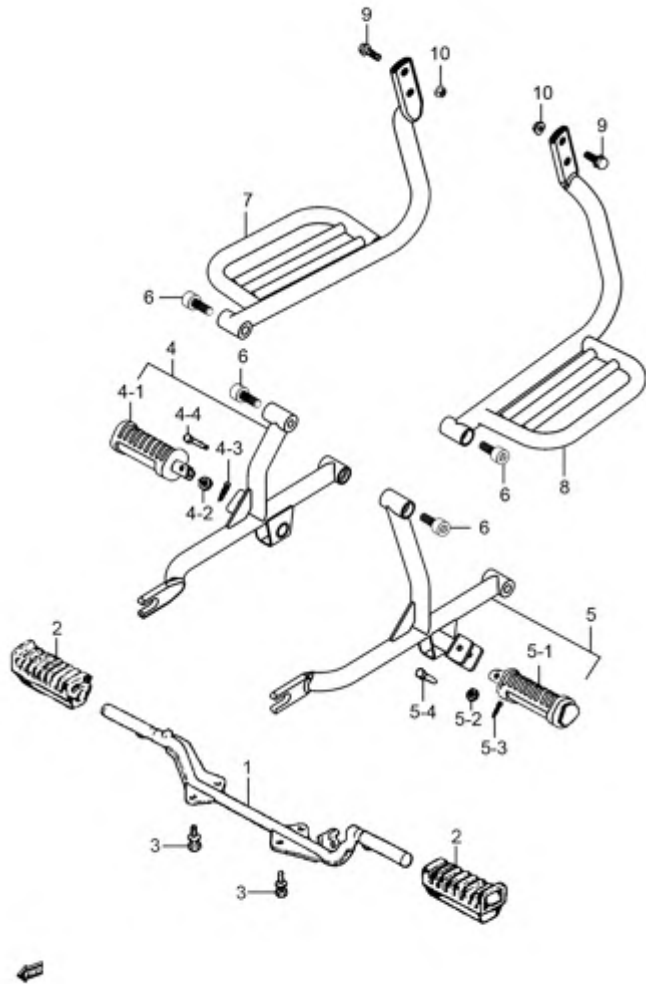


Fig.27 FOOTREST (P06-S280-0014)

REF. No.	PART No.	DESCRIPTION	Q' TY	REMARKS
1	43510H12J02H000	BAR COMP, FRONT FOOTREST	1	
2	43551H12900H000	RUBBER, FRONT FOOTREST	2	
3	01580-0820B-000	HEXAGON HEAD BOLT	4	
4	43600H12B01H000	FOOTREST ASSY, PILLION, R	1	
4-1	43620H12900H000	BAR COMP, PILLION FOOTREST, R	1	
4-2	08322-0106A-000	WASHER, PLAIN	1	
4-3	04111-2015A-000	COTTER PIN	1	
4-4	43641H51200H000	PIN, PILLION FOOTREST	1	
5	43700H12B01H000	FOOTREST ASSY, PILLION, L	1	
5-1	43720H12900H000	BAR COMP, PILLION FOOTREST, L	1	
5-2	08322-0106A-000	WASHER, PLAIN	1	
5-3	04111-2015A-000	COTTER PIN	1	
5-4	43641H51200H000	PIN, PILLION FOOTREST	1	
6	07130-1055A-000	HEXAGON SOCKET HEAD CAP SCREW	4	
7	43610H12B00H000	BOARD COMP, PILLION FOOTREST, R	1	
8	43710H12B00H000	BOARD COMP, PILLION FOOTREST, L	1	
9	01580-0825A-000	HEXAGON HEAD BOLT	4	
10	08319-3108A-000	NUT	4	

4

Fig. 28

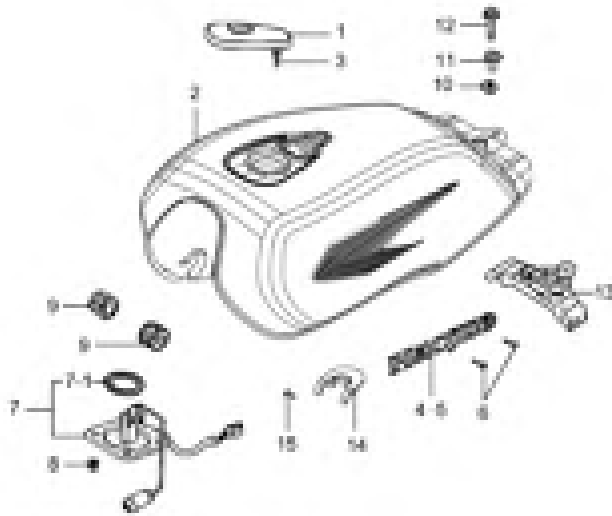


Fig.28 FUEL TANK (P06-S290-0018)

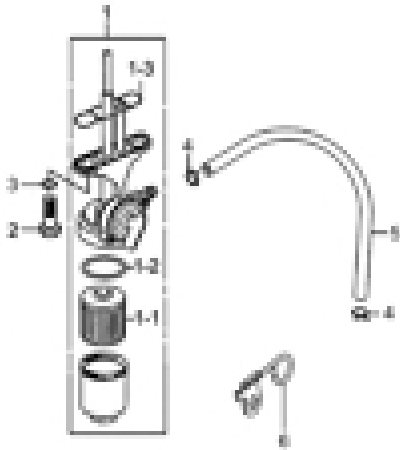
REF. No.	PART No.	DESCRIPTION	Q'TY	REMARKS
1	44200H12900H000	CAP ASSY, FUEL TANK FILLER	1	
2	44011H12920HF05	FUEL TANK SET/RED	1	
2	44011H12920HF02	FUEL TANK SET/BLACK	1	
2	44011H12920HF11	FUEL TANK SET/ORANGE	1	
2	44011H12920HF09	FUEL TANK SET/BLUE	1	
2	44011H12920HF15	FUEL TANK SET (F15)	1	
3	02112-0405A-000	CROSS RECESSED HEAD SCREW	2	
4	68113H12900H000	EMBLEM, FUEL TANK, R	1	
5	68123H12900H000	EMBLEM, FUEL TANK, L	1	
6	02112-0305B-000	CROSS RECESSED HEAD SCREW	4	
7	34810H12900H000	GAUGE ASSY, FUEL LEVEL SENDER	1	
7-1	34825H11201H000	O RING	1	
8	08316-1006A-000	NUT	4	
9	44541H11200H000	CUSHION, FRONT	2	
10	44546H11200H000	RUBBER, CENTER	1	
11	09180H08016H000	SPACER	1	
12	01550-0828A-000	BOLT, HEXAGON HEAD FLANGE	1	
13	44281H12A00H000	CUSHION, FUEL TANK REAR	1	
14	44267H12900H000	SHIELD, FUEL TANK	1	
15	02112-1610B-000	SCREWS, CROSS RECESSED HEAD	1	

4

Fig. 29

Fig.29 FUEL COCK (P06-S300-0003)

REF. No.	PART No.	DESCRIPTION	Q' TY	REMARKS
1	44300-12FJ0-000	COCK ASSY, FUEL	1	
1-1	44360H05700H000	FILTER, FUEL	1	
1-2	44346H05700H000	O RING, CUP	1	
1-3	44348H05700H000	GASKET, JOINT	1	
2	09128-06006-000	BOLT, FUEL COCK	2	
3	09168H06026H000	GASKET, FUEL COCK	2	
4	09401-08414-000	CLIP	2	
5	44420H12900H000	HOSE COMP, FUEL	1	
6	44428H12900H000	GUIDE, FUEL HOSE	1	



4

Fig. 30

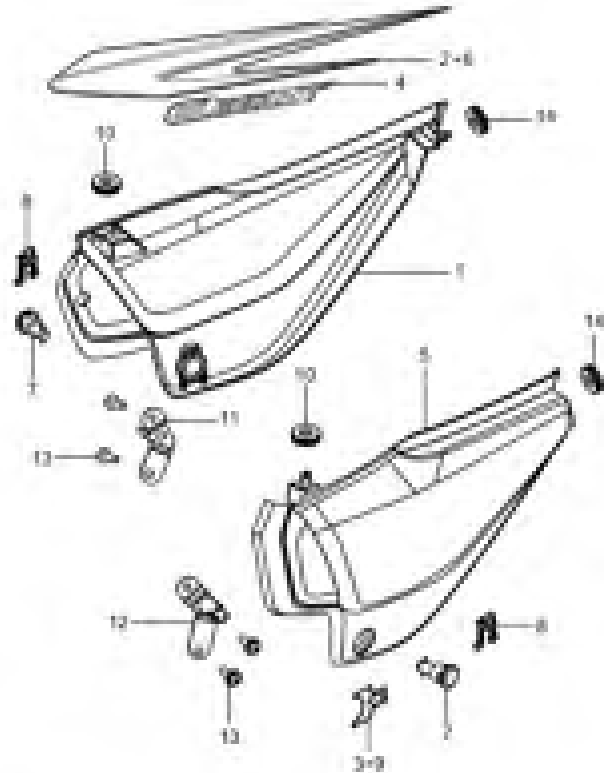


Fig.30 FRAME COVER (P06-S310-0017)

REF. No.	PART No.	DESCRIPTION	Q' TY	REMARKS
1	47111H12B00HA43	COVER, FRAME, R (RED/MATTE BLACK)	1	
1	47111H12B00HA42	COVER, FRAME, R (BLACK/MATTE BLACK)	1	
1	47111H12B00HA52	COVER, FRAME, R (ORANGE/MATTE BLACK)	1	
1	47111H12B00HA30	COVER, FRAME, R (BLUE/MATTE BLACK)	1	
1	47111H12B00HA28	COVER, FRAME, R (BLACK/MATTE BLACK)	1	
2	68130H12B00HN53	TAPE SET, FRAME COVER STRIPE, R (N53)	1	
2	68130H12B00HN42	TAPE SET, FRAME COVER STRIPE, R (N42)	1	
2	68130H12B00HPC7	TAPE SET, FRAME COVER STRIPE, R (PC7)	1	
2	68130H12B00HNB1	TAPE SET, FRAME COVER STRIPE, R (NB1)	1	
3	68132H12900H000	LABEL, SIDE COVER LOCK, R	1	
4	68131H12B00HS1L	TAPE, FRAME COVER (SIL)	2	
5	47211H12B00HA43	COVER, FRAME, L (RED/MATTE BLACK)	1	
5	47211H12B00HA42	COVER, FRAME, L (BLACK/MATTE BLACK)	1	
5	47211H12B00HA52	COVER, FRAME, L (ORANGE/MATTE BLACK)	1	
5	47211H12B00HA30	COVER, FRAME, L (BLUE/MATTE BLACK)	1	
5	47211H12B00HA28	COVER, FRAME, L (BLACK/MATTE BLACK)	1	
6	68140H12B00HN53	TAPE SET, FRAME COVER STRIPE, L (N53)	1	

4

Fig. 30

Fig.30 FRAME COVER (P06-S310-0017)

REF. No.	PART No.	DESCRIPTION	Q' TY	REMARKS
6	68140H12B00HN42	TAPE SET, FRAME COVER STRIPE, L (N42)	1	
6	68140H12B00HPC7	TAPE SET, FRAME COVER STRIPE, L (PC7)	1	
6	68140H12B00HNB1	TAPE SET, FRAME COVER STRIPE, L (NB1)	1	
7	47600H11202H000	LOCK ASSY, SIDE COVER	2	
8	47641H11200H000	SPRING	2	
9	68142H12900H000	LABEL, SIDE COVER LOCK, L	1	
10	47312H02100H000	RUBBER CUSHION	2	
11	47320H12900H000	BUTTON ASSY, SIDE COVER LOCK, R	1	
12	47330H12900H000	BUTTON ASSY, SIDE COVER LOCK, L	1	
13	02112-1612B-000	SCREWS, CROSS RECESSED HEAD	4	
14	09320-08018-000	CUSHION, FRAME COVER REAR	2	

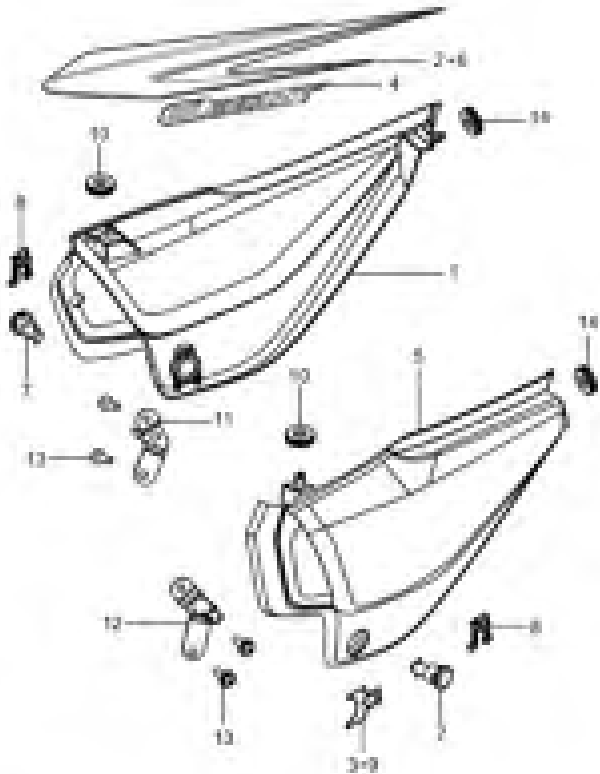
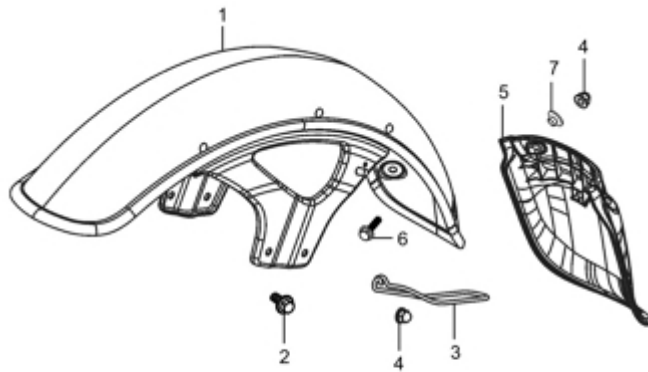


Fig. 31

Fig.31 FRONT FENDER (P06-S320-0005)

REF. No.	PART No.	DESCRIPTION	Q' TY	REMARKS
1	53110H12B00H000	FENDER COMP, FRONT	1	
2	01580-0616A-000	HEXAGON HEAD BOLT SET WITH WASHER	4	
3	58621H12B10H000	GUIDE, SPEEDOMETER CABLE	1	
4	09145H20001H000	NUT, CAP	3	
5	53115H12B10H000	DUST CAP, FR FENDER	1	
6	01550-0612B-000	BOLT	2	
7	09169-06082-000	WASHER, HELMET BOX CENTER	2	



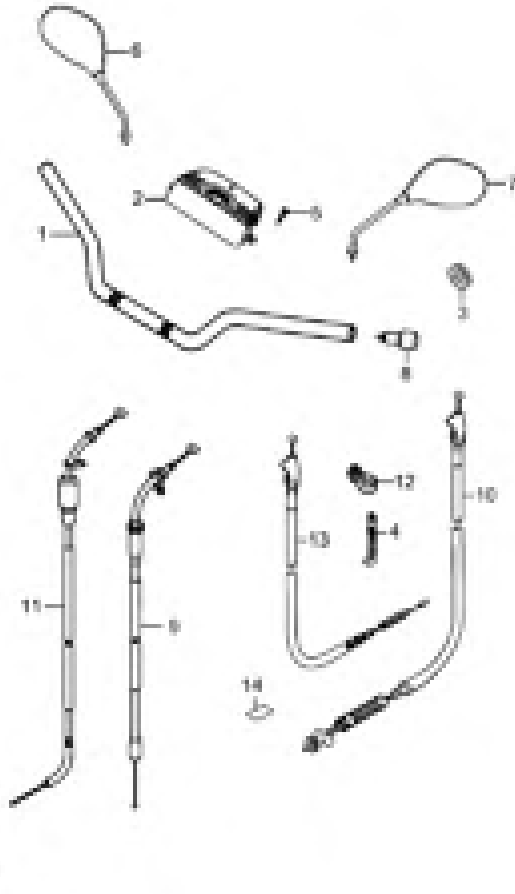
4



Fig. 32

Fig.32 HANDLEBAR (P06-S330-0014)

REF. No.	PART No.	DESCRIPTION	Q' TY	REMARKS
1	56111H12B10H000	HANDLEBAR	1	
2	56171H12600H000	COVER, STEERING HEAD	1	
3	37157H12600H000	COVER, STEERING LOCK	1	
4	36651H12911H000	CLAMP	1	
5	02142-0616B-000	SCREW	2	
6	56500H12900H000	MIRROR ASSY, REAR VIEW, R	1	
7	56600H12900H000	MIRROR ASSY, REAR VIEW, L	1	
8	56270H12B10H000	BALANCER ASSY, HANDLEBAR	2	
9	58300H12B01H000	CABLE ASSY, THROTTLE	1	
10	58100H12B01H000	CABLE ASSY, FRONT BRAKE	1	
11	58410H12B01H000	CABLE COMP, STARTER	1	
12	34938H12600H000	CLAMP	1	
13	58200H12B00H000	CABLE ASSY, CLUTCH	1	
14	58521-04H00-000	TAPE, RR BRAKE CABLE	1	



4

Fig. 33

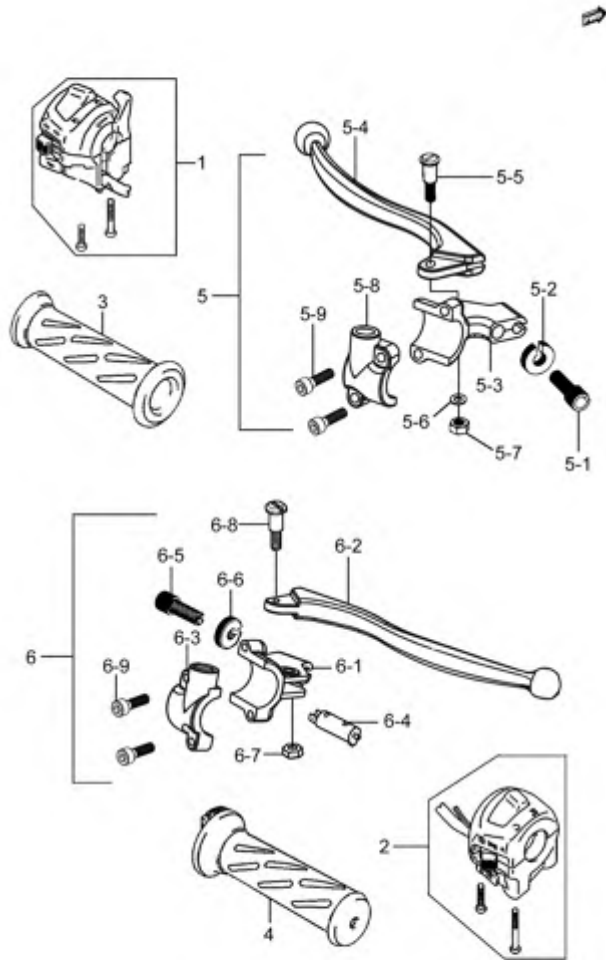


Fig.33 HANDLE SWITCH (P06-S340-0009)

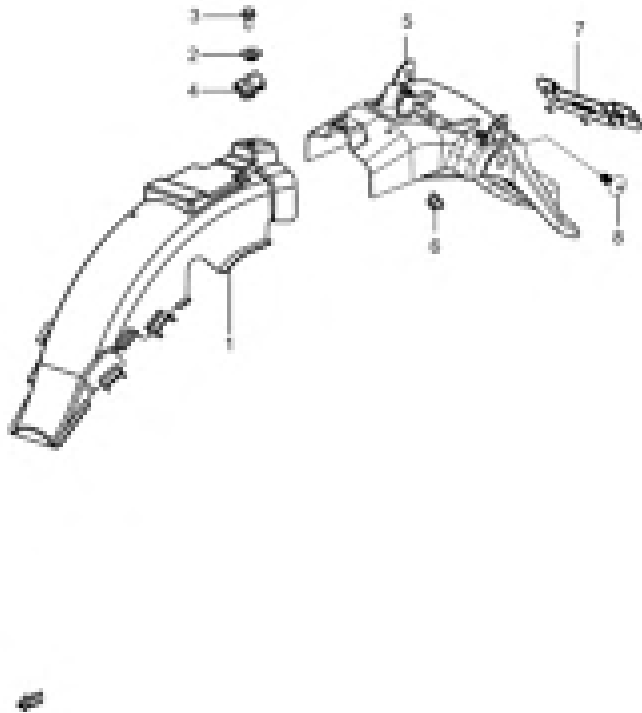
REF. No.	PART No.	DESCRIPTION	Q'TY	REMARKS
1	37400H12B00H000	SWITCH ASSY, HANDLE, L	1	
2	37200H12B00H000	SWITCH ASSY, HANDLE, R	1	
3	57211-45FB0-000	GRIP, L	1	
4	57110-28G10-000	GRIP COMP THROTTLE	1	
5	57500H12920H000	LEVER ASSY, CLUTCH	1	
5-1	57441H12900H000	ADJUSTER, WIRE	1	
5-2	57442H12900H000	NUT, LOCK	1	
5-3	57511H12900H000	HOLDER, CLUTCH	1	
5-4	57621H12900H000	LEVER, CLUTCH	1	
5-5	57431H12900H000	BOLT, LEVER PIVOT	1	
5-6	08321-21053-000	SPRING LOCK WASHER	1	
5-7	08310-0005B-000	HEXAGON NUT	1	
5-8	57512H12900H000	HOLDER	1	
5-9	07130-05203-000	HEXAGON SOCKET HEAD CAP SCREW	2	
6	57300H12900H000	LEVER ASSY, FRONT BRAKE	1	
6-1	57311H12900H000	HOLDER, FRONT BRAKE	1	
6-2	57421H12900H000	LEVER, FRONT BRAKE	1	
6-3	57512H12910H000	HOLDER	1	
6-4	57470H12900H000	SWITCH ASSY, BRAKE	1	
6-5	57441H12900H000	ADJUSTER, WIRE	1	
6-6	57442H12900H000	NUT, LOCK	1	
6-7	08310-0005B-000	HEXAGON NUT	1	
6-8	57431H12900H000	BOLT, LEVER PIVOT	1	
6-9	07130-05203-000	HEXAGON SOCKET HEAD CAP SCREW	2	

4

Fig. 34

Fig.34 REAR FENDER (P06-S350-0005)

REF. No.	PART No.	DESCRIPTION	Q' TY	REMARKS
1	63112H12B00H000	BODY, REAR FENDER, FRONT	1	
2	63141H11200H000	SPACING	1	
3	01550-0620B-000	BOLT	1	
4	63119H11200H000	NUT	1	
5	63113H12B00H000	BODY, REAR FENDER, REAR	1	
6	08316-1006B-000	NUT	2	
7	35927-37G00-000	BRACKET, L I C E N S E P L A T E	1	
8	09139H06103H000	SCREW	2	



4

Fig. 35

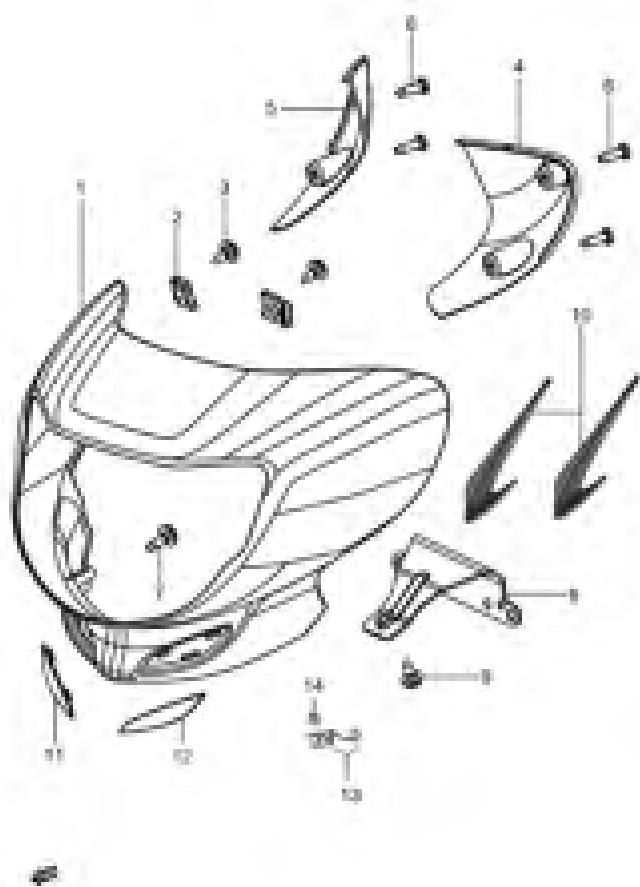


Fig.35 COWLING (P06-S360-0004)

REF. No.	PART No.	DESCRIPTION	Q' TY	REMARKS
1	94411H12900H123	COWL ING, BODY/RED	1	
1	94411H12900H501	COWL ING, BODY/BLACK	1	
1	94411H12900H214	COWL ING, BODY/ORANGE	1	
1	94411H12900H608	COWL ING, BODY/BLUE	1	
1	94411H12900H541	COWL ING, BODY (BLACK)	1	
2	94434-34G00-000	NUT	2	
3	01550-0616B-000	BOLT	2	
4	94425H12900H000	PANEL, S IDE, L	1	
5	94415H12900H000	PANEL, S IDE, R	1	
6	03541-0412B-000	SCREW	4	
7	35151-21J00-000	SCREW, HEADLAMP	3	
8	94550H12600H000	BRACKET COMP, COWL ING LOWER	1	
9	09111-06066-000	BOLT, FIXED FR FENDER	1	
10	68190H12A00HN53	TAPE SET, COWL ING STRIPING	1	
10	68190H12A00HN42	TAPE SET, COWL ING STRIPING	1	
10	68190H12A00HPC7	TAPE SET, COWL ING STRIPING (PC7)	1	
10	68190H12A00HNB1	TAPE SET, COWL ING STRIPING (NB1)	1	
11	94416H12900H000	PANEL, COWL ING, FRONT, R	1	
12	94426H12900H000	PANEL, COWL ING, FRONT, L	1	
13	51452H30100H000	CLAMP	1	
14	08316-1006B-000	NUT	1	

4

Fig. 36

Fig.36 LABEL (P06-S370-0010)

REF. No.	PART No.	DESCRIPTION	Q' TY	REMARKS
1	68319-29F00-000	LABEL, WARNING SAFETY	1	
2	99011H12B20H000	MANUAL, OWNER'S	1	
3	68332H12B00H000	LABEL, TIRE INFORMATION	1	

4

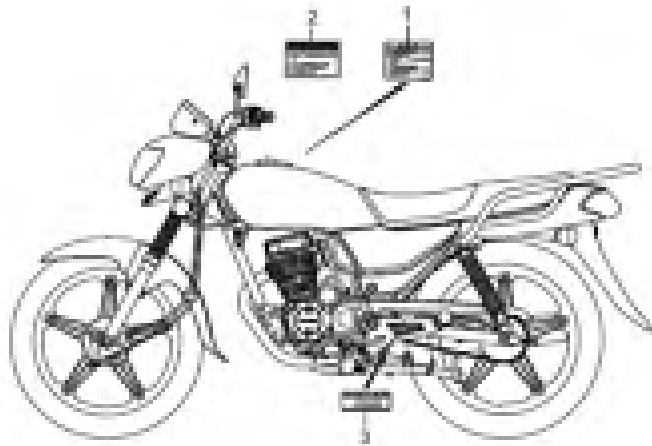
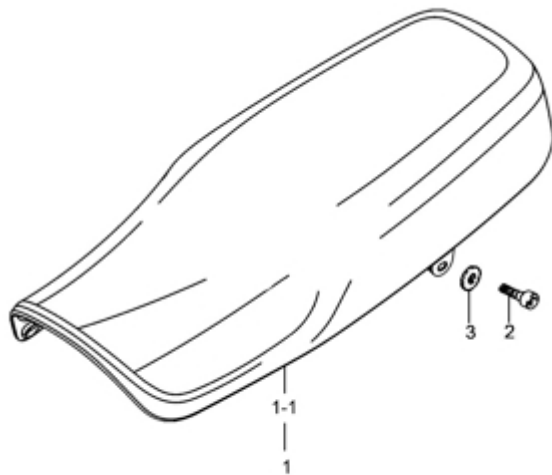


Fig. 37

Fig.37 SEAT (P06-S380-0006)

REF. No.	PART No.	DESCRIPTION	Q'TY	REMARKS
1	45100H12B00H000	SEAT ASSY	1	
1-1	45160H12B00H000	COVER COMP, SEAT	1	
2	07130-0816B-000	SCREWS, HEXAGON SOCKET HEAD CAP	2	
3	08322-0108A-000	PLAIN WASHER	2	

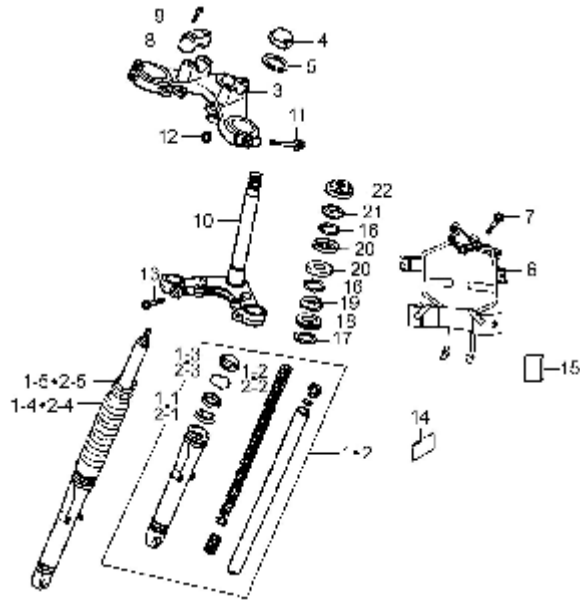


4



Fig. 38

Fig.38 STEERING STEM (P06-S400-0013)

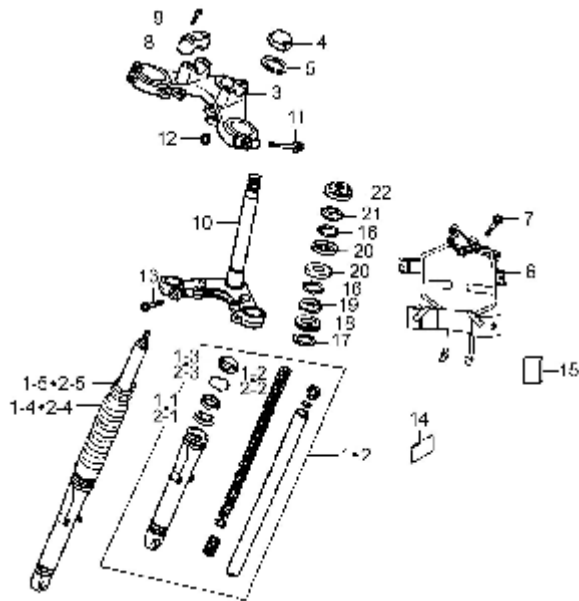


REF. No.	PART No.	DESCRIPTION	Q'TY	REMARKS
1	51103H12910H000	DAMPER ASSY, FR, R	1	
1-1	51153H12710H000	OIL SEAL	1	
1-2	51156H12710H000	RING STOPPER OIL SEAL	1	
1-3	51173H12710H000	SEAL, DUST	1	
1-4	51173H12900H000	SEAL, DUST COVER	1	
1-5	51174H12740H000	BAND, BOOT	1	
2	51104H12B00H000	DAMPER ASSY, FRONT FORK, L	1	
2-1	51153H12710H000	OIL SEAL	1	
2-2	51156H12710H000	RING STOPPER OIL SEAL	1	
2-3	51173H12710H000	SEAL, DUST	1	
2-4	51173H12900H000	SEAL, DUST COVER	1	
2-5	51174H12740H000	BAND, BOOT	1	
3	51311H12A00H000	BRACKET, UPPER	1	
4	51353H11200H000	NUT	1	
5	51356H11200H000	GASKET	1	
6	94500H12600H000	BRACKET ASSY, COWLING	1	
7	01550-0625B-000	BOLT	2	
8	56211H12600H000	HOLDER, HANDLE UPPER	2	
9	01550-0830B-000	HEXAGON BOLT WITH FLANGE	4	
10	51410H12901H000	BRACKET COMP, UNDER	1	
11	01550-0855A-000	BOLTS, HEXAGON HEAD FLANGE	2	
12	09145H08001H000	NUT, CAP	2	
13	01570-0840A-000	HEXAGON HEAD BOLT	2	
14	44256H12901H000	SEPARATOR	1	70X40X5
15	44281-37G00-000	CUSHION, FUEL TANK	2	50X30X5
16	06111-06004-000	BALL, STEERING, UPPER	42	
17	51625H11200H000	GASKET	1	
18	51626H11200H000	CUSHION	1	
19	51621H11200H000	RICE STEERING, OUT LOWER	1	

Fig. 38

Fig.38 STEERING STEM (P06-S400-0013)

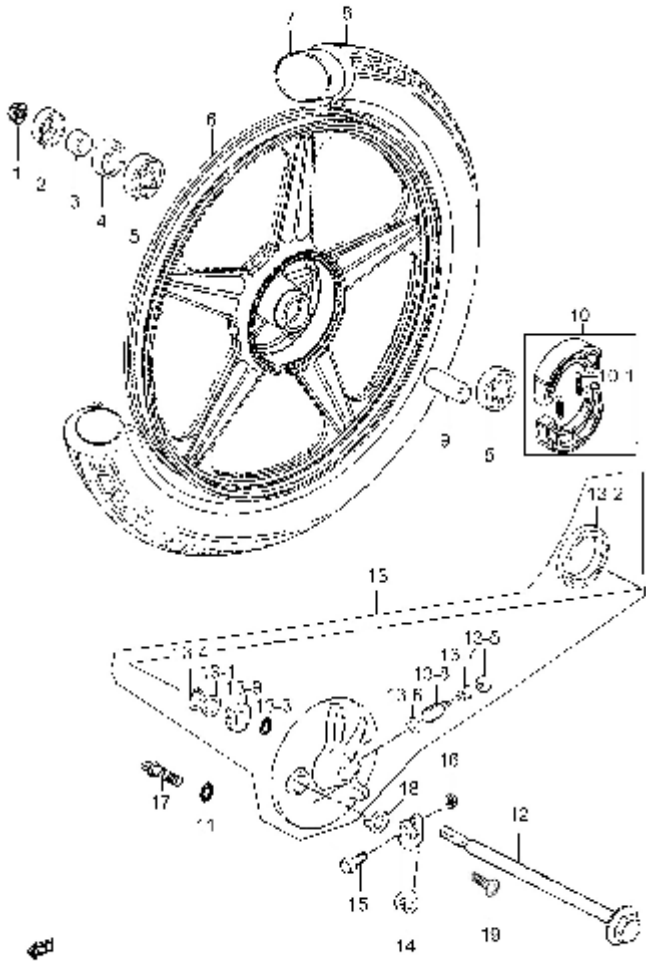
REF. No.	PART No.	DESCRIPTION	Q'TY	REMARKS
20	51611H11200H000	INSIDE RACE	2	
21	51622H11200H000	RACE STEERING, OUT UPPER	1	
22	51630H11200H000	NUT	1	



4

Fig. 39

Fig.39 FRONT WHEEL (P06-S410-0019)



REF. No.	PART No.	DESCRIPTION	Q'TY	REMARKS
1	08319-3112A-000	U-NUT	1	
2	54892-45F00-000	COVER, FRONT HUB DUST SEAL	1	
3	09180H12136H000	SPACER	1	
4	54742-45F00-000	SEAL, FRONT HUB	1	
5	08133-63017-000	BEARING, FRONT HUB	2	
6	54110H12920H000	WHEEL COMP, FRONT	1	
7	55200-45F00-000	TUBE ASSY, WHEEL INNER	1	
8	55100H05541H000	TIRE SET, FR	1	
9	09180H12135H000	SPACER	1	
10	54400H45Y20H000	SHOE COMP, BRAKE	1	
10-1	55421H11200H000	SPRING, BRAKE SHOE	2	
11	09280-14003-000	O-RING, REAR BRAKE CAM	1	
12	54711H12900H000	AXLE, FRONT	1	
13	54200H12930H000	PANEL ASSY, FRONT BRAKE	1	
13-1	54613H11200H000	WASHER	1	
13-2	54616H11200H000	OIL SEAL	1	
13-3	54614H11200H000	WASHER	1	
13-4	08331-31208-000	CIRCLIP	1	
13-5	54626H11200H000	OIL SEAL	1	
13-6	54623H11200H000	THRUST WASHER	2	
13-7	54632H12930H000	BUSH, SPEEDOMETER PINION	1	
13-8	54621H12930H000	PINION, SPEEDOMETER	1	
13-9	54610H12900H000	DRIVER COMP, SPEEDOMETER GEAR	1	
14	54451H11200H000	LEVER, BRAKE CAM	1	
15	01550-0633A-000	BOLT, HEXAGON HEAD FLANGE	1	
16	08316-1006A-000	NUT	1	
17	54441H12B00H000	CAM, FRONT BRAKE	1	
18	54492H11201H000	PLATE, FR BK LINING INDICATOR	1	
19	02132-0516A-000	SCREW	1	

Fig. 40

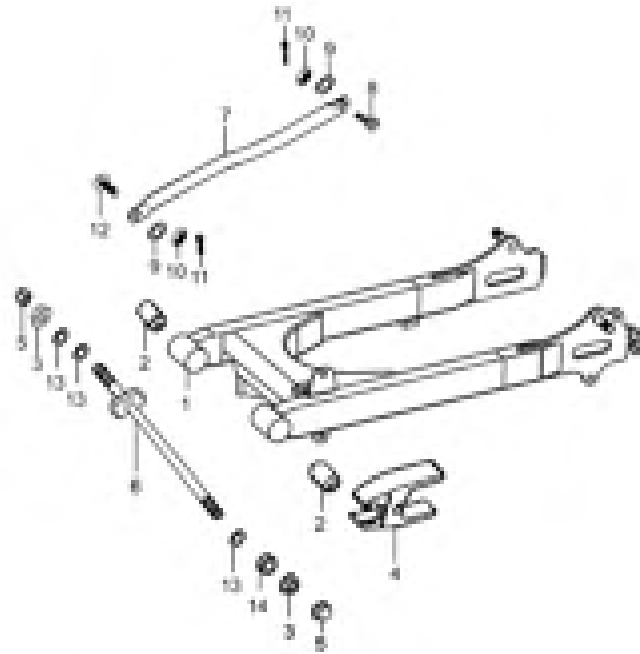


Fig.40 REAR SWINGING ARM (P06-S440-0018)

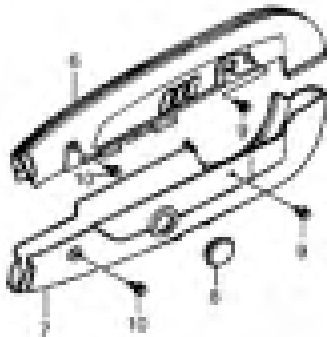
REF. No.	PART No.	DESCRIPTION	Q'TY	REMARKS
1	61100H12B01H000	SWINGINGARM COMP, REAR	1	
2	61200H11200H000	BUFFER	2	
3	08319-3112A-000	U-NUT	2	
4	61273H11700H000	BUFFER, CHAIN TOUCH DEFENSE	1	
5	54713-37G00-000	CAP, FRONT AXLE, R	2	
6	61211H11700H000	SHAFT, RR SWG ARM PIVOT	1	
7	64310H12900H000	TORQUE LINK COMP, REAR	1	
8	09111-08013-000	BOLT, REAR TORQUELINK REAR	1	
9	09162-08008-000	LOCK WASHER, RR TORQUELINK	2	
10	09140H08001H000	NUT	2	
11	04111-2020A-000	COTTER PIN	2	
12	09111-08012-000	BOLT, REAR TORQUELINK FRONT	1	
13	09160-12073-000	LOCK WASHER, LH	3	
14	09180H12007H000	SPACER	1	

4

Fig. 41

Fig.41 REARSHOCK ABSORBER (P06-S450-0014)

REF. No.	PART No.	DESCRIPTION	Q' TY	REMARKS
1	62100H12B00H000	ABSORBER ASSY, REAR SHOCK	2	
2	09160H10001H000	WASHER, PLAIN	2	
3	09180H12012H000	SPACER	2	
4	09160H13008H000	WASHER	2	
5	08313-10107-000	NUT, RR SHOCK ABS	4	
6	61310H12902H000	CASE COMP, CHAIN UPPER	1	
7	61320H12902H000	CASE COMP, CHAIN LOWER	1	
8	09250H34001H000	CAP	1	
9	01560-0608B-000	HEXAGON HEAD BOLT	2	
10	01550-0612B-000	BOLT	2	
11	09180H12011H000	SPACER	1	



4

Fig. 42

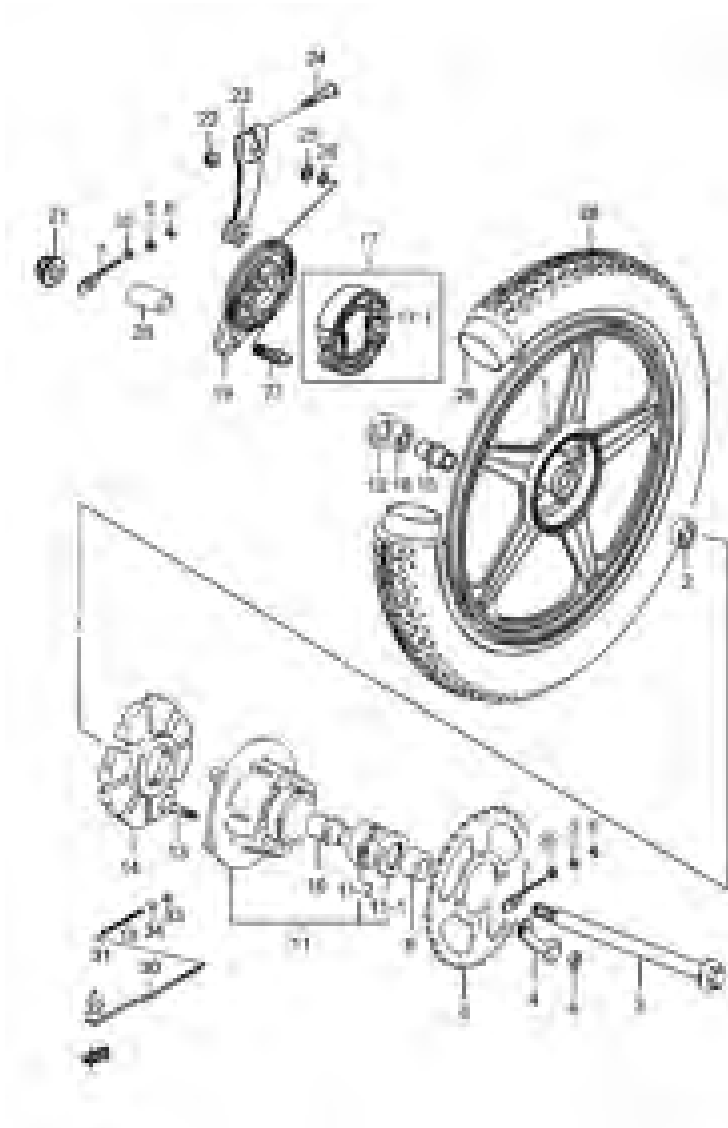


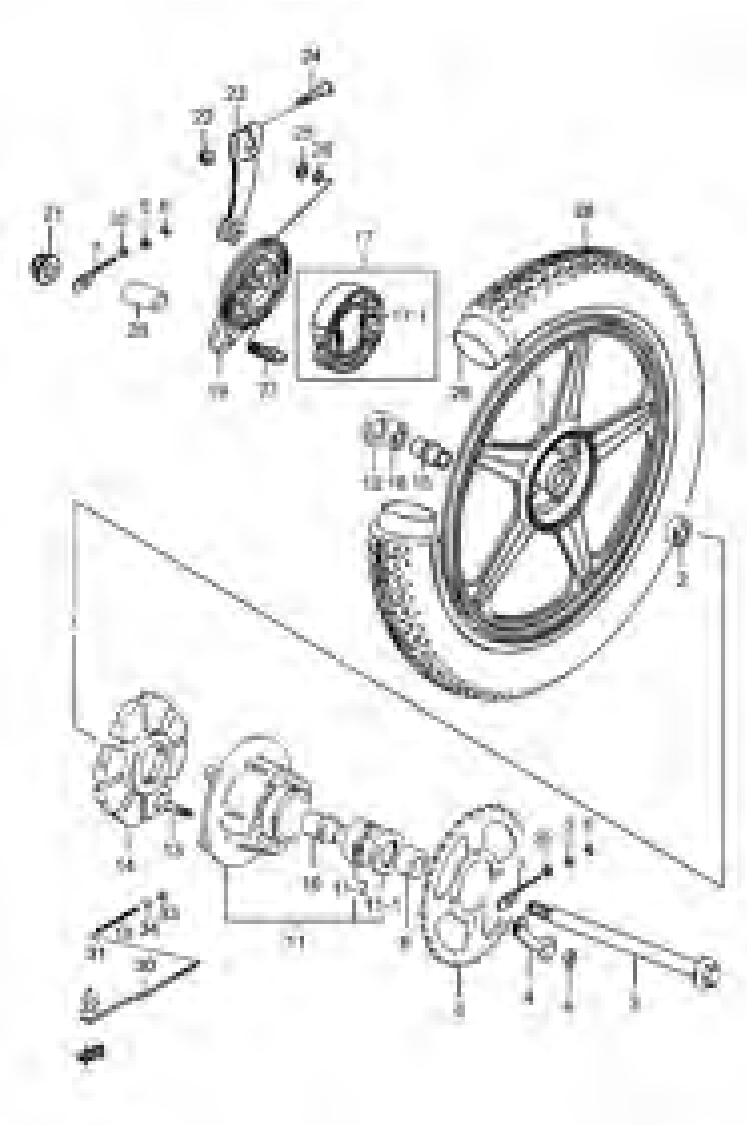
Fig.42 REAR WHEEL (P06-S460-0030)

REF. No.	PART No.	DESCRIPTION	Q'TY	REMARKS
1	64150H12900H000	WHEEL COMP, REAR	1	
2	08144-63027-000	BEARING, REAR HUB	1	
3	64711H12800H000	AXLE, REAR	1	
4	64516H11201H000	LOCK PLATE, REAR SPROCKET	2	
5	08322-0108A-000	PLAIN WASHER	2	
6	08310-0008A-000	HEXAGON NUT	6	
7	61410H12901H000	ADJUSTER COMP, CHAIN	2	
8	64511H12801H000	SPROCKET, REAR	1	
9	64614H12800H000	BUSH, RR SPROCKET DRUM	1	
10	64733H12820H000	RETAINER, REAR SPROCKET DRUM	1	
11	64610H12800H000	DRUM COMP, REAR SPROCKET	1	
11-1	64612H11200H000	OIL SEAL	1	
11-2	08143-60047-000	BEARING	1	
12	64810H11200H000	OIL SEAL, REAR WHEEL	1	
13	64541H12800H000	BOLT, REAR SPROCKET	4	
14	64651H11200H000	CUSHION	4	
15	64916H11210H000	SPACER COMP, REAR HUB	1	
16	08143-62027-000	BEARING	1	
17	54400H11Y31H000	SHOE COMP, BRAKE	1	
17-1	55421H11200H000	SPRING, BRAKE SHOE	2	
18	09440H09007H000	SPRING, COMPRESSION	1	
19	64210H12910H000	PANEL COMP, REAR BRAKE	1	
20	09180H15003H000	SPACER	1	
21	08319-3114A-000	U-NUT	1	
22	08316-1006A-000	NUT	1	
23	64451H12B00H000	LEVER, REAR BRAKE CAM	1	
24	01550-0633A-000	BOLT, HEXAGON HEAD FLANGE	1	
25	64492H11200H000	FINGER, REAR BRAKE	1	
26	09280-14003-000	O-RING, REAR BRAKE CAM	1	

Fig. 42

Fig.42 REAR WHEEL (P06-S460-0030)

REF. No.	PART No.	DESCRIPTION	Q' TY	REMARKS
27	64441H12B00H000	CAM, REAR BRAKE	1	
28	65100H12B01H000	TIRE SET, RR	1	
29	65200-45F00-000	TUBE ASSY, INNER	1	
30	43310H12900H000	BRAKE ROD ASSY	1	
31	08322-0106A-000	WASHER, PLAIN	2	
32	04111-2015A-000	COTTER PIN	1	
33	09150-06001-000	NUT, REAR BRAKE ROD ADJUSTER	1	
34	43321H11200H000	PIN	1	
35	08321-0108A-000	SPRING LOCK WASHER	2	



4

Fig. 43

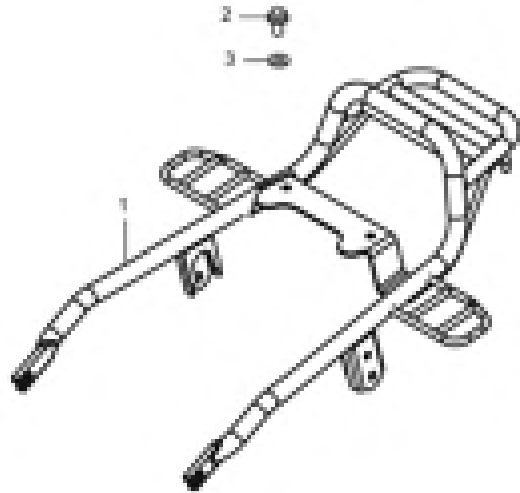


Fig.43 CARRIER (P06-S480-0009)

REF. No.	PART No.	DESCRIPTION	Q' TY	REMARKS
1	46310H12B10H000	CARRIER COMP, REAR	1	
2	09160H10001H000	WASHER, PLAIN	2	
3	01580-0820B-000	HEXAGON HEAD BOLT	2	

4

PART NO.	FIG. NO. – REF. NO.	PART NO.	FIG. NO. – REF. NO.	PART NO.	FIG. NO. – REF. NO.	PART NO.	FIG. NO. – REF. NO.
00000		01550-0628A-000	01-14	04111-2015A-000	42-32	08316-1006A-000	39-16
		01550-0628A-000	16-2	04111-2020A-000	40-11	08316-1006A-000	42-22
		01550-0633A-000	39-15	04111-2525A-000	26-4	08316-1006B-000	19-10
		01550-0633A-000	42-24	04221-04109-000	14-4	08316-1006B-000	23-2
		01550-0828A-000	28-12	06111-06004-000	38-16	08316-1006B-000	34-6
01421-0616A-000	01-19	01550-0830B-000	38-9	07130-05203-000	33-5-9	08316-1006B-000	35-14
01500-0610A-000	13-10	01550-0855A-000	38-11	07130-05203-000	33-6-9	08319-3108A-000	01-17
01500-0620A-000	14-12	01560-0608B-000	41-9	07130-0816B-000	37-2	08319-3108A-000	25-5
01500-0625A-000	14-6	01570-0840A-000	38-13	07130-0825A-000	10-2	08319-3108A-000	27-10
01500-0825A-000	15-4	01580-0616A-000	31-2	07130-1055A-000	27-6	08319-3108A-000	03-18
01547-05107-000	04-22	01580-0820B-000	27-3	08110-60060-000	13-2	08319-3110A-000	03-20
01547-0525A-000	17-3	01580-0820B-000	43-3	08110-62040-000	13-6	08319-3112A-000	39-1
01547-0612A-000	07-1	01580-0825A-000	27-9	08133-63017-000	39-5	08319-3112A-000	40-3
01547-0612A-000	03-4	02112-0305B-000	28-6	08143-60047-000	42-11-2	08319-3114A-000	42-21
01547-0612A-000	01-10	02112-0405A-000	28-3	08143-62027-000	42-16	08321-0105A-000	16-1-5
01547-0616A-000	04-17	02112-0418A-000	14-14	08144-63027-000	42-2	08321-0108A-000	42-35
01547-0620A-000	01-18	02112-0650A-000	03-5	08211-12181-000	15-1-14	08321-21053-000	33-5-6
01547-0622A-000	02-3	02112-0695A-000	03-6	08211-14241-000	07-2	08322-01058-000	16-1-11
01547-0625A-000	03-2	02112-1520A-000	19-8	08211-15251-000	13-1-8	08322-0106A-000	27-4-2
01547-0625A-000	04-14	02112-1520B-000	25-13	08211-15301-000	13-4-13	08322-0106A-000	27-5-2
01547-0628A-000	04-19	02112-1610B-000	28-15	08211-16241-000	15-1-11	08322-0106A-000	42-31
01547-0640A-000	04-3	02112-1612B-000	30-13	08211-16301-000	15-1-1	08322-0108A-000	37-3
01547-0650A-000	04-4	02122-0512A-000	05-10	08211-20271-000	13-4-2	08322-0108A-000	42-5
01547-0655A-000	03-9	02122-0628A-000	11-3	08310-0005B-000	33-5-7	08331-31129-000	14-9-6
01550-0612B-000	18-7	02132-0516A-000	39-19	08310-0005B-000	33-6-7	08331-31149-000	14-9-2
01550-0612B-000	23-7	02132-05257-000	20-6	08310-0006A-000	01-20	08331-31169-000	15-1-13
01550-0612B-000	24-16	02142-0508A-000	21-2	08310-0006A-000	20-2	08331-31208-000	39-13-4
01550-0612B-000	31-6	02142-0616B-000	32-5	08310-0008A-000	42-6	08331-31209-000	12-7
01550-0612B-000	41-10	03541-0412A-000	22-1-3	08310-0010A-000	22-1-5	08331-31209-000	13-1-4
01550-0616B-000	19-5	03541-0412A-000	22-2-3	08310-0010A-000	22-2-5	08331-31209-000	13-4-7
01550-0616B-000	35-3	03541-0412A-000	22-3-3	08310-0010A-000	22-3-5	08331-31209-000	15-1-8
01550-0620B-000	34-3	03541-0412A-000	22-4-3	08310-0010A-000	22-4-5	08361-3506A-000	19-2
01550-0625A-000	12-4-1	03541-0412B-000	35-6	08313-10107-000	41-5	09100H05004H000	17-2
01550-0625A-000	18-6	04111-2015A-000	27-4-3	08316-1005B-000	23-9	09100H06022H000	14-8
01550-0625B-000	38-7	04111-2015A-000	27-5-3	08316-1006A-000	28-8	09103H08009H000	01-5

5

PART NO.	FIG. NO. – REF. NO.	PART NO.	FIG. NO. – REF. NO.	PART NO.	FIG. NO. – REF. NO.	PART NO.	FIG. NO. – REF. NO.
09103H08013H000	25-7	09169-06082-000	31-7	09280-14003-000	39-11	09440H09007H000	42-18
09103H08015H000	03-17	09180-06285-000	23-5	09280-14003-000	42-26	09440H13004H000	07-13
09103H10003H000	03-19	09180H08016H000	28-11	09280H09008H000	11-2	09440H33000H000	12-4-3
09108H08012H000	02-5	09180H12007H000	40-14	09280H09009H000	04-1-5	09443H05002H000	26-13
09108H08013H000	02-6	09180H12011H000	41-11	09280H13001H000	04-9	09443H14004H000	26-14
09111-06066-000	35-9	09180H12012H000	41-3	09280H13002H000	03-21	09443H18101H000	26-5
09111-08012-000	40-12	09180H12135H000	39-9	09280H17001H000	07-21	09471-12077-000	20-1-5
09111-08013-000	40-8	09180H12136H000	39-3	09280H18002H000	04-20-1	09471-12081-000	21-1-3
09128-06004-000	19-3	09180H15003H000	42-20	09280H20003H000	07-10	09471-12128-000	23-1-4
09128-06006-000	29-2	09181-19261-000	07-9	09280H27002H000	04-11	09471-12177-000	22-1-2
09136H06153H000	18-8	09181H06001H000	04-1-3	09280H33000H000	16-1-9	09471-12177-000	22-2-2
09139-06078-000	10-1-1	09181H10190H000	06-1	09280H34002H000	01-11	09471-12177-000	22-3-2
09139H06103H000	34-8	09181H12180H000	07-8	09280H35001H000	03-12	09471-12177-000	22-4-2
09140H08001H000	40-10	09181H16200H000	14-9-1	09280H62001H000	04-15	09471-12196-000	20-1-4
09145H08001H000	38-12	09181H17240H000	13-4-9	09283H07001H000	04-1-2	09471H12001H000	21-1-2
09145H20001H000	31-4	09181H20270H000	13-1-10	09283H14001H000	14-10	09481-15001-000	24-11
09150-06001-000	42-33	09181H20270H000	15-1-7	09283H16001H000	15-2	09482H33000H000	01-15
09159H10097H000	26-11	09205H03001H000	04-1-8	09283H16001H000	04-1-7	09491H22000H000	08-1-22
09160-06088-000	23-4	09206H08004H000	04-5	09283H20001H000	13-5	09494H12900H000	08-1-5
09160-06094-000	10-1-2	09206H10007H000	02-2	09283H34001H000	05-2	09800H20005H000	25-8
09160-06129-000	20-3	09206H10007H000	03-1-1	09289H06001H000	07-7	10000	
09160-10501-000	22-7	09206H10007H000	04-12	09320-08018-000	30-14		
09160-12073-000	40-13	09206H10008H000	01-6	09320-09009-000	23-3		
09160H08005H000	07-19	09247H12105H000	03-11	09381H16001H000	05-3		
09160H10001H000	41-2	09250H34001H000	41-8	09401-08414-000	29-4		
09160H10001H000	43-2	09259H99002H000	04-20	09401-15101-000	09-4		11110H33081H000
09160H12004H000	01-3	09261H10008H000	06-5-4	09402-46203-000	09-2	11141H33000H000	01-2
09160H13008H000	41-4	09262H15009H000	13-3	09404-06431-000	24-7	11151H33001H000	01-4
09162-08008-000	40-9	09262H17001H000	12-5	09407-05403-000	24-8	11171H33030H000	01-8
09164H12001H000	07-22	09262H28001H000	05-14	09407-12402-000	24-3	11181H33001H000	01-13
09168-06018-000	01-9	09262H28002H000	05-15	09407-14403-000	24-4	11210H33002H000	02-1
09168-06122-000	10-1-3	09263H10001H000	06-2	09407H15401H000	18-10	11241H33000H000	02-4
09168-08032-000	01-7	09263H10001H000	06-6-1	09420H04002H000	05-1-1	11300H33Y03H000	03-1
09168-12002-000	03-13	09263H10001H000	04-10	09440H04010H000	14-2	11342H33Y30H000	04-1
09168H06026H000	29-3	09263H15001H000	13-7	09440H04017H000	06-5-6	11351H33501H000	04-6

PART NO.	FIG. NO. – REF. NO.	PART NO.	FIG. NO. – REF. NO.	PART NO.	FIG. NO. – REF. NO.	PART NO.	FIG. NO. – REF. NO.
11352H33000H000	04-7	12862H33000H000	07-24	13781H12910H000	09-1-1-1	23121H33020H000	12-2
11353H33001H000	04-8	12871H33010H000	07-18	13851H12911H000	09-3	23131H33010H000	12-1
11361H33050H000	04-18	12873H33000H000	07-20	14181H11200H000	10-3	23270H33050H000	04-1-4
11384H33021H000	04-21	12911H33000H000	07-11	14181H16000H000	10-5	23281H33010H000	04-1-6
11411H33000H000	03-3	12912H33000H000	07-12	14182H12900H000	10-4	24120H33020H000	13-4
11421H33011H000	03-8	12921H33000H000	07-5	14305H12B01H000	10-1	24121H33020H000	13-4-1
11430H33000H000	03-10	12922H33000H000	07-6	14791H12900H000	10-1-4	24130H33011H000	13-1
11431H33001H000	03-10-1	12931H33000H000	07-4	16400H33020H000	11-1	24131H33011H000	13-1-1
11432H33000H000	03-10-2	12932H33010H000	07-3	16510H33000H000	05-7	24210H33000H000	13-1-9
11433H33000H000	03-10-3	13111H33000H000	01-12	16520H21D00H000	03-14	24221H33000H000	13-1-7
11441H33300H000	04-16	13200H12950H000	08-1	16520H33000H000	05-8	24231H33010H000	13-1-2
11481H33000H000	03-7	13223H11210H000	08-1-16	16521H33000H000	05-8-2	24232H33000H000	13-1-3
11482H33000H000	04-2	13225H11200H000	08-1-14	16531H33000H000	05-8-4	24232H33000H000	13-4-6
11483H33000H000	04-13	13245H11200H000	08-1-24	16532H33000H000	05-8-1	24241H33000H000	13-1-5
12021H33011H000	05-1	13247H33000H000	08-1-20	16541H33000H000	03-15	24251H33000H000	13-1-6
12111H33010H000	05-5	13251H11200H000	08-1-7	16542H33000H000	03-16	24301H33000H000	13-4-12
12140H33000H000	05-6	13251H33000H000	08-1-3	16551H33000H000	05-8-3	24302H33000H000	13-4-14
12151H33000H000	05-4	13252H11200H000	08-1-11	16561H33000H000	05-9	24311H33010H000	13-4-10
12620H33000H000	06-7	13252H33000H000	08-1-2	16571H33000H000	05-12	24312H33000H000	13-4-11
12630H33010H000	06-5	13253H33000H000	08-1-15	16581H33000H000	05-13	24321H33020H000	13-4-3
12631H33010H000	06-5-2	13254H21D00H000	08-1-19	20000		24331H33010H000	13-4-8
12632H33010H000	06-5-3	13255H11200H000	08-1-8		24341H33010H000	13-4-5	
12633H33010H000	06-5-5	13262H11200H000	08-1-12		24351H33000H000	13-4-4	
12642H33010H000	06-5-1	13263H11200H000	08-1-10		25211H33000H000	14-17	
12651H33000H000	06-3	13267H33000H000	08-1-23		25231H33000H000	14-18	
12660H33000H000	06-4	13268H33000H000	08-1-17		21111H33000H000	05-11	25241H33000H000
12680H33000H000	06-6	13270H12900H000	08-1-9	21210H33030H000	12-3	25300H12900H000	14-11
12710H33010H0C0	07-16	13279H12700H000	08-1-6	21410H33070H000	12-4	25310H33001H000	14-3
12731H33010H0A0	07-15	13295H21D00H000	08-1-13	21421H33000H000	12-4-8	25311H33000H000	14-1
12741H33001H000	07-14	13370H21D00H000	08-1-18	21441H33010H000	12-4-5	25350H33000H000	14-16
12751H33000H0B0	05-16	13383H12950H000	08-1-21	21441H33020H000	12-4-6	25351H33000H000	14-7
12840H33010H000	07-17	13385H36600H000	08-1-4	21451H33000H000	12-4-7	25381H33000H000	14-5
12843H33000H000	07-23	13432H33000H000	08-1-1	21461H33000H000	12-4-4	25411H33000H000	14-15
12851H33000H000	07-17-1	13700H12912H000	09-1	21471H33020H000	12-4-2	25500H33030H000	14-9
12852H33000H000	07-17-2	13780H12910H000	09-1-1	21481H33000H000	12-6	25510H33030H000	14-9-4

5

5

PART NO.	FIG. NO. – REF. NO.	PART NO.	FIG. NO. – REF. NO.	PART NO.	FIG. NO. – REF. NO.	PART NO.	FIG. NO. – REF. NO.
25531H33000H000	14-9-3	32101H33091H000	17-1-1	35616H12910H000	22-2-4	41100H12Y44H000	25-1
25561H33000H000	14-9-5	32102H33090H000	17-1-2	35616H12910H000	22-3-4	41523H12B00H000	25-15
26210H33020H000	15-1	32111H33010H000	17-5	35616H12910H000	22-4-4	41540H12900H000	18-4
26211H33010H000	15-1-2	32491H33010H000	17-4	35632H12911H000	22-2-1	41560H12900H000	18-5
26221H33000H000	15-1-3	32800H05522H000	19-4	35632H12911H000	22-3-1	41894H12601HN00	19-9
26222H33000H000	15-1-4	32900H12B00H000	19-6	35695H12900H000	22-5	41919-45F00-000	01-16
26231H33020H000	15-1-5	33410H12902H000	19-7	35710H12B00H000	23-1	41919-45F00-000	25-4
26241H33000H000	15-1-6	33611H12911H000	18-1	35712H12B00H000	23-1-1	41991H11200H000	25-3
26251H33000H000	15-1-9	33651-45F11-000	18-2	35713H12B00H000	23-1-2	41992H12901H000	25-6
26252H33000H000	15-1-10	33680H12920H000	18-9	35718H12B00H000	23-1-3	41993H11200H000	25-2
26261H33000H000	15-1-12	33810H33021H000	16-1-10	35726H12B00H000	23-6	42100H12600H000	26-1
26300H12900H000	15-3	33860H12900H000	18-3	35927-37G00-000	34-7	42112H12900H000	26-6
26431H33000H000	04-1-1	34100H12922H000	20-1	35970-04H01-000	23-8	42211H11200H000	26-3
27511H33030H000	13-8	34111H12920H000	20-1-3	36610H12B00H000	24-1	42278H12900H000	26-2
27521H33010H000	13-9	34112H12900H000	20-1-1	36619H12901H000	24-2	42310H12900H000	26-8
27600H2A000H108	13-11	34152H12900H000	20-1-7	36651H12500H000	24-5	42321H11200H000	26-9
27620H2A000H000	13-11-1	34173H12930H000	20-1-6	36651H12800H000	19-11	42322H11201H000	26-10
		34810H12900H000	28-7	36651H12900H000	24-6	43110H12910H000	26-12
		34825H11201H000	28-7-1	36651H12911H000	32-4	43142H11200H000	26-7
		34910H12E00H000	20-4	37019H12670H000	24-10	43142H21302H000	26-15
30000		34938H12600H000	32-12	37100H12611H000	24-12	43310H12900H000	42-30
		34940H13130H000	20-5	37101H11200H000	24-13	43321H11200H000	42-34
		34980H12900H000	20-1-2	37157H12600H000	32-3	43510H12J02H000	27-1
		35100H12800H000	21-1	37200H12B00H000	33-2	43551H12900H000	27-2
		35121H12800H000	21-1-1	37400H12B00H000	33-1	43600H12B01H000	27-4
31100H33021H000	16-1	35124H12800H000	21-1-1-1	37720H33031H000	14-13	43610H12B00H000	27-7
31130H33000H000	16-1-1	35151-21J00-000	35-7	37740H73100H000	24-14	43620H12900H000	27-4-1
31133H33000H000	16-1-2	35171H12800H000	21-1-4	38500H12601H000	24-15	43641H51200H000	27-4-4
31135H33000H000	16-1-3	35601H12911H000	22-1	38610H11222H000	22-6	43641H51200H000	27-5-4
31264H33000H000	16-1-6	35602H12911H000	22-2			43700H12B01H000	27-5
31281H33000H000	16-1-4	35603H12911H000	22-3	40000		43710H12B00H000	27-8
31361H33000H000	16-1-8	35604H12911H000	22-4			43720H12900H000	27-5-1
31362H33000H000	16-1-7	35612H12911H000	22-1-1			44011H12920HF02	28-2
31800-49110-000	19-1	35612H12911H000	22-4-1			44011H12920HF05	28-2
32100H33091H000	17-1	35616H12910H000	22-1-4			44011H12920HF09	28-2

PART NO.	FIG. NO. – REF. NO.	PART NO.	FIG. NO. – REF. NO.	PART NO.	FIG. NO. – REF. NO.	PART NO.	FIG. NO. – REF. NO.	
44011H12920HF11	28-2	47432H12900H000	25-12	51622H11200H000	38-21	57110-28G10-000	33-4	
44011H12920HF15	28-2	47437H12B00H000	25-16	51625H11200H000	38-17	57211-45FB0-000	33-3	
44200H12900H000	28-1	47438H12B00H000	25-17	51626H11200H000	38-18	57300H12900H000	33-6	
44256H12901H000	24-9	47439H12B00H000	25-18	51630H11200H000	38-22	57311H12900H000	33-6-1	
44256H12901H000	38-14	47600H11202H000	30-7	53110H12B00H000	31-1	57421H12900H000	33-6-2	
44267H12900H000	28-14	47641H11200H000	30-8	53115H12B10H000	31-5	57431H12900H000	33-5-5	
44281-37G00-000	09-5			54110H12920H000	39-6	57431H12900H000	33-6-8	
44281-37G00-000	38-15			54200H12930H000	39-13	57441H12900H000	33-5-1	
44281H12A00H000	28-13			54400H11Y31H000	42-17	57441H12900H000	33-6-5	
44300-12FJ0-000	29-1			54400H45Y20H000	39-10	57442H12900H000	33-5-2	
44346H05700H000	29-1-2			54441H12B00H000	39-17	57442H12900H000	33-6-6	
44348H05700H000	29-1-3			54451H11200H000	39-14	57470H12900H000	33-6-4	
44360H05700H000	29-1-1	50000		54492H11201H000	39-18	57500H12920H000	33-5	
44420H12900H000	29-5			54610H12900H000	39-13-9	57511H12900H000	33-5-3	
44428H12900H000	29-6			54613H11200H000	39-13-1	57512H12900H000	33-5-8	
44541H11200H000	28-9			54614H11200H000	39-13-3	57512H12910H000	33-6-3	
44546H11200H000	28-10			54616H11200H000	39-13-2	57621H12900H000	33-5-4	
45100H12B00H000	37-1	51153H12710H000	38-1-1	54621H12930H000	39-13-8	58100H12B01H000	32-10	
45160H12B00H000	37-1-1	51153H12710H000	38-2-1	54623H11200H000	39-13-6	58200H12B00H000	32-13	
46310H12B10H000	43-1	51156H12710H000	38-1-2	54626H11200H000	39-13-5	58300H12B01H000	32-9	
47111H12B00HA28	30-1	51156H12710H000	38-2-2	54632H12930H000	39-13-7	58410H12B01H000	32-11	
47111H12B00HA30	30-1	51173H12710H000	38-1-3	54711H12900H000	39-12	58521-04H00-000	32-14	
47111H12B00HA42	30-1	51173H12710H000	38-2-3	54713-37G00-000	40-5	58621H12B10H000	31-3	
47111H12B00HA43	30-1	51173H12900H000	38-1-4	54742-45F00-000	39-4			
47111H12B00HA52	30-1	51173H12900H000	38-2-4	54892-45F00-000	39-2			
47211H12B00HA28	30-5	51174H12740H000	38-1-5	55100H05541H000	39-8			
47211H12B00HA30	30-5	51174H12740H000	38-2-5	55200-45F00-000	39-7			
47211H12B00HA42	30-5	51311H12A00H000	38-3	55421H11200H000	39-10-1	60000		
47211H12B00HA43	30-5	51353H11200H000	38-4	55421H11200H000	42-17-1			
47211H12B00HA52	30-5	51356H11200H000	38-5	56111H12B10H000	32-1			
47312H02100H000	25-14	51410H12901H000	38-10	56171H12600H000	32-2		61100H12B01H000	40-1
47312H02100H000	30-10	51452H30100H000	35-13	56211H12600H000	38-8		61200H11200H000	40-2
47320H12900H000	30-11	51611H11200H000	25-1-1	56270H12B10H000	32-8	61211H11700H000	40-6	
47330H12900H000	30-12	51611H11200H000	38-20	56500H12900H000	32-6	61273H11700H000	40-4	
47431H12900H000	25-11	51621H11200H000	38-19	56600H12900H000	32-7	61310H12902H000	41-6	

5

PART NO.	FIG. NO. – REF. NO.	PART NO.	FIG. NO. – REF. NO.
61320H12902H000	41-7	68140H12B00HN53	30-6
61410H12901H000	42-7	68140H12B00HNB1	30-6
62100H12B00H000	41-1	68140H12B00HPC7	30-6
63112H12B00H000	34-1	68142H12900H000	30-9
63113H12B00H000	34-5	68170H12910H000	20-1-8
63119H11200H000	34-4	68190H12A00HN42	35-10
63141H11200H000	34-2	68190H12A00HN53	35-10
64150H12900H000	42-1	68190H12A00HNB1	35-10
64210H12910H000	42-19	68190H12A00HPC7	35-10
64310H12900H000	40-7	68311-45F01-000	25-9
64441H12B00H000	42-27	68319-29F00-000	36-1
64451H12B00H000	42-23	68332H12B00H000	36-3
64492H11200H000	42-25	68389-45F00-000	25-10
64511H12801H000	42-8		
64516H11201H000	42-4		
64541H12800H000	42-13		
64610H12800H000	42-11		
64612H11200H000	42-11-1	90000	
64614H12800H000	42-9		
64651H11200H000	42-14		
64711H12800H000	42-3		94411H12900H123
64733H12820H000	42-10	94411H12900H214	35-1
64810H11200H000	42-12	94411H12900H501	35-1
64916H11210H000	42-15	94411H12900H541	35-1
65100H12B01H000	42-28	94411H12900H608	35-1
65200-45F00-000	42-29	94415H12900H000	35-5
68113H12900H000	28-4	94416H12900H000	35-11
68123H12900H000	28-5	94425H12900H000	35-4
68130H12B00HN42	30-2	94426H12900H000	35-12
68130H12B00HN53	30-2	94434-34G00-000	35-2
68130H12B00HNB1	30-2	94500H12600H000	38-6
68130H12B00HPC7	30-2	94550H12600H000	35-8
68131H12B00HSIL	30-4	99011H12B20H000	36-2
68132H12900H000	30-3		
68140H12B00HN42	30-6		

HAOJUE HJ125-16N PARTS CATALOGUE

1st Edition

Published in 2016.7

DACHANGJIANG GROUP CO.,LTD.

No.5, Jiandabei Rd., Jiangmen City, Guangdong Province, P.R.China

Tel: 86-750-3288999 Fax: 86-750-3230989 Code: 529000

DACHANGJIANG GROUP COPYRIGHT POSSESSION.

DACHANGJIANG GROUP CO. , LTD.