

Haojue

PARTS CATALOGUE

HJ110-2

PREFACE

This catalogue lists the spare parts used for the following model. Please do refer to the parts catalogue and indicate the parts number and the name listed in this catalogue correctly when you need to replace the spare parts.

Design Code	Factory Reference No. (Abbr. form in the catalogue)	Engine Reference No.	Engine Cad No.
HJ110-2	KF5112U21L-XXE32	EG12UR1-E51	10091H12005H000

一、 How to place an order for spare parts?

1. Required document:

The number must be provided as follow when order the spare parts:

- (a) The Engine parts: parts number and the Engine number
- (b) The Body parts: parts number and the Frame number

2. Revision

The Revised Version would be published at a suitable time when the parts Catalogue needed to be revised or renewed. In this case, the edition number would be marked on the cover. The parts would have some difference because our products are improved continuously and the modified parts no. will not be informed before the new edition published.

二、 How to use the parts catalogue?

1. Size

The unit of the parts' size indicated in the catalogue is 'mm', for example:

Parts name	Description
Bolt 6×12	Diameter 6mm, Length 12mm

0 Ring D: 3.0, ID: 29.5	Section diameter 3mm, inner diameter 29.5mm
Bearing 35×72×17	Inner diameter 35mm, Outer diameter 72mm, Thickness 17mm

2. Abbr.

The meaning of the Abbreviations in the catalogue are as the followings:

D: Section diameter NT: Number of Teeth L: Length ID: Inner diameter W: Width

OPT: Optional T: Thickness OD: Outer diameter OS: Over size

STD: Standard US: Under size LH: Left hand side RH: Right hand side

3. Assy and the inner parts

The part number with a hyphen '-' in the front means this part could be supplied with the Assy (or the comp.), also could be supplied seperately.

For example:

Item 1 CYLINDER HEAD ASSY

Item1-1 PIN,CAMSHAFT COVER

That means Item1-1 can be supplied with Item 1 and aslo can be supplied seperately.

4. The illustrations in the catalogue are just for the purpose to distinguish the parts. There might be some discrepancies between the illustrations and the real parts.. Furthermore, the illustrations can not be used for the assembling purpose. When assembling, pls use the Service Manual of the relative models.

5. The instruction for the color parts

The catalogue lists are being supervised by color code.

For example: Assy,Fuel Tank 44100H22000HF01 F01 is the colour code and means "RED".

When place an order for the color parts, please use the correct parts number (with the color code), based on the compound color sheet of the models.

This catalogue is edited according to the datas before 2016-7-1. The modification after that time should refer to the latest SPS(Spare Parts Modification notice).

INFORMATION ILLUSTRATION INDEX

1

ENGINE & TRANSMISSION

2

ELECTRICAL

3

BODY

4

PARTS NUMBER INDEX

5

Fig. 1 CYLINDER HEAD&CYLINDER HEAD COVER (X01-S010-0001)

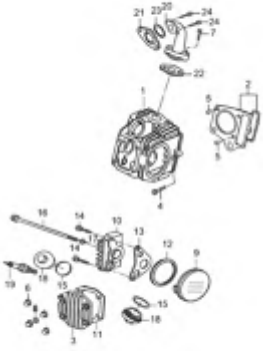


Fig. 2 CYLINDER (X01-S020-0001)

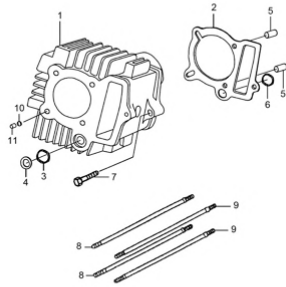


Fig. 3 CRANKCASE (X01-S030-0001)

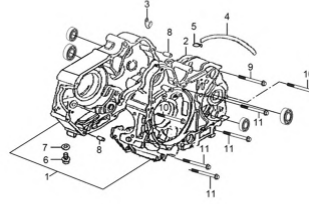


Fig. 4 CRANKCASE COVER (X01-S040-0001)

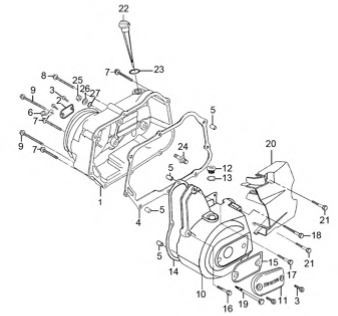


Fig. 5 CRANKSHAFT (X01-S050-0001)

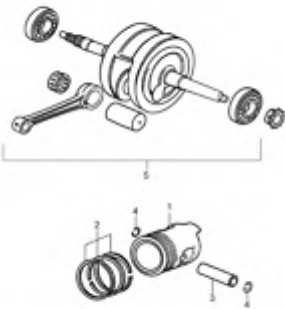


Fig. 6 STARTER CLUTCH (X01-S060-0002)

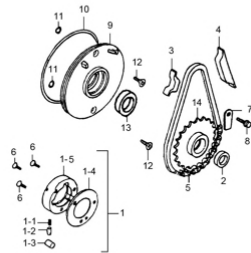


Fig. 7 CAMSHAFT-VALVE (X01-S070-0001)

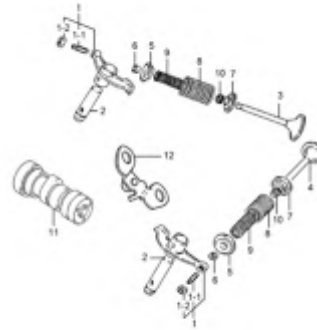
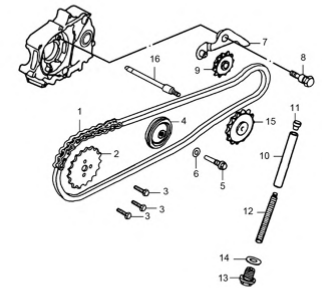


Fig. 8 CAM CHAIN (X01-S080-0003)



1

Fig. 9 CARBURETOR (X01-S090-0013)

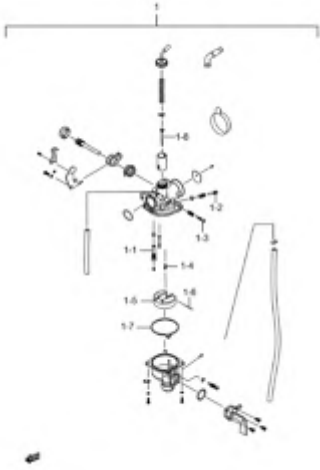


Fig. 10 AIR CLEANER (X01-S100-0001)

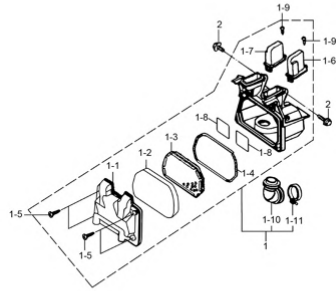


Fig. 11 MUFFLER (X01-S110-0001)



Fig. 12 2ND AIR VALVE (X01-S120-0001)

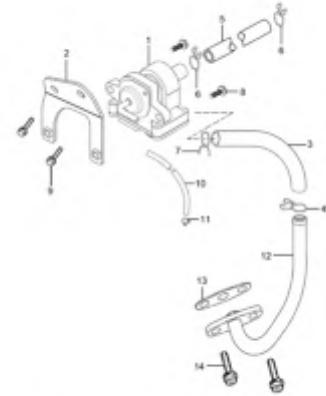


Fig. 13 OIL PUMP (X01-S130-0001)

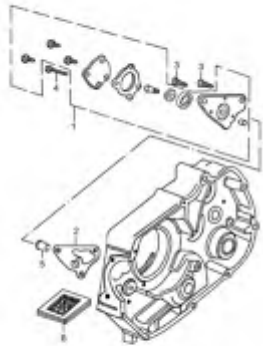


Fig. 14 CLUTCH (X01-S140-0005)

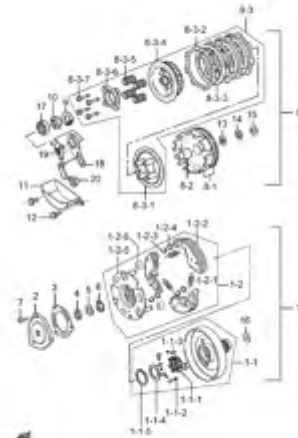


Fig. 15 TRANSMISSION (X01-S150-0001)

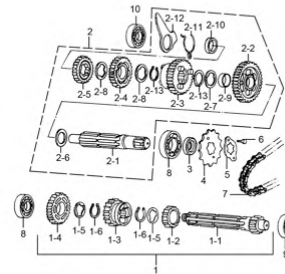


Fig. 16 GEAR SHIFTING (X01-S160-0001)

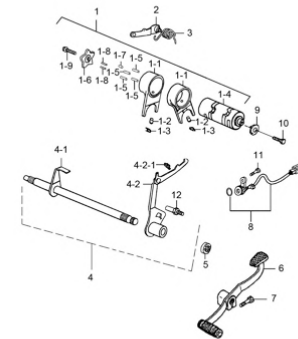


Fig. 17 KICK STARTER (X01-S165-0001)

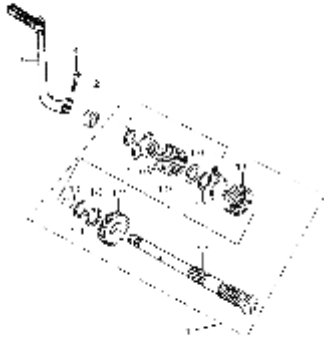


Fig. 18 STARTING MOTOR (X01-S170-0001)

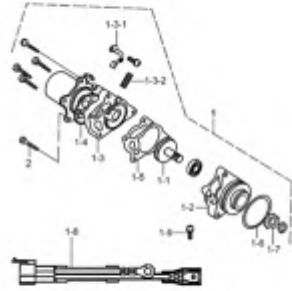


Fig. 19 MAGNETO (X01-S180-0001)

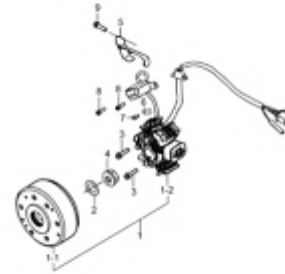


Fig. 20 BATTERY (X01-S190-0005)

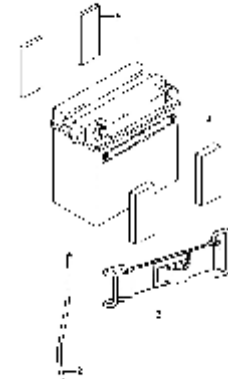


Fig. 21 ELECTRICAL (X01-S200-0003)

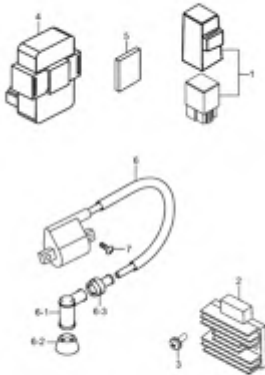


Fig. 22 SPEEDOMETER (X01-S210-0001)

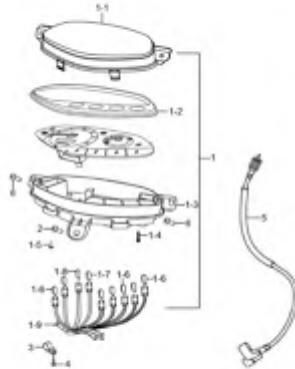


Fig. 23 HEADLAMP (X01-S220-0001)

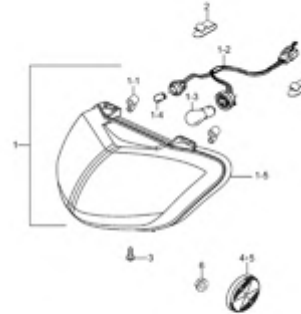


Fig. 24 TURN SIGNAL LAMP (X01-S230-0001)

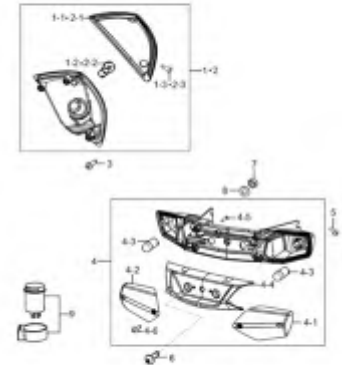


Fig. 25 REAR COMBINATION LAMP (X01-S240-0001)

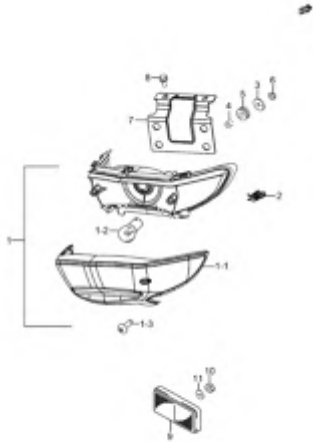


Fig. 26 WIRING HARNESS (X01-S250-0006)

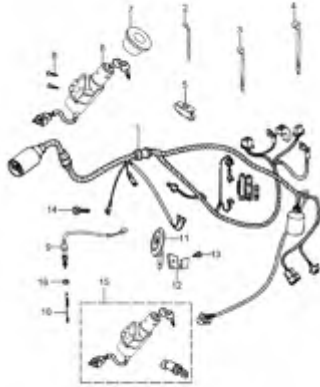


Fig. 27 FRAME (X01-S260-0005)



Fig. 28 STAND (X01-S270-0003)

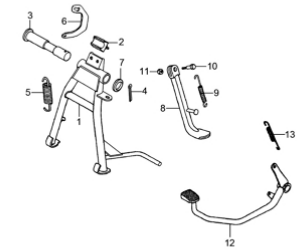


Fig. 29 FOOTREST (X01-S280-0006)



Fig. 30 FUEL TANK (X01-S290-0006)

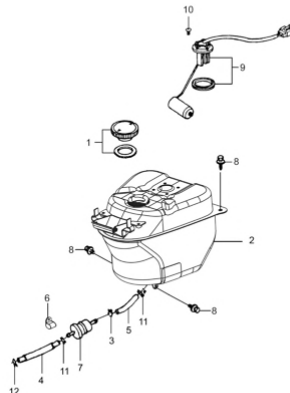


Fig. 31 LEG SHIELD (X01-S305-0023)

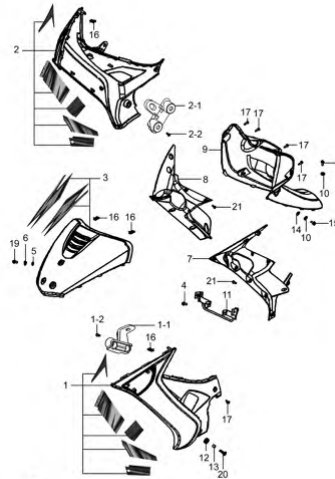


Fig. 32 FRAME COVER (X01-S310-0016)



Fig. 33 FRONT FENDER (X01-S320-0001)

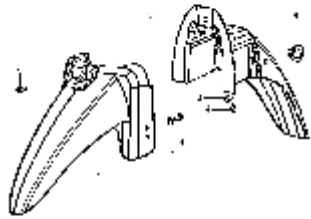


Fig. 34 HANDLEBAR (X01-S330-0005)

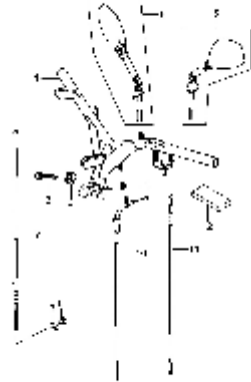


Fig. 35 HANDLE SWITCH (X01-S340-0006)

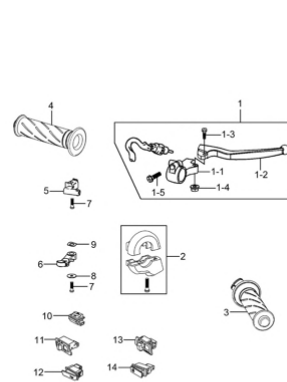


Fig. 36 REAR FENDER (X01-S350-0001)

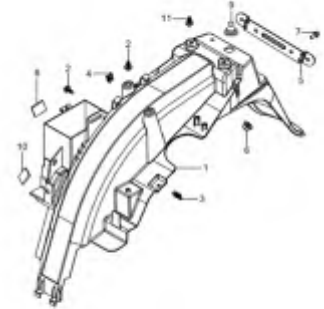


Fig. 37 HOUSING, HEADLAMP (X01-S355-0001)

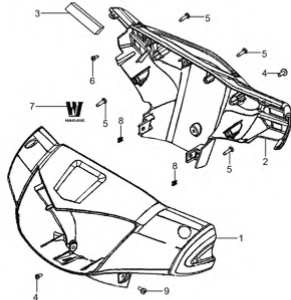


Fig. 38 LABEL (X01-S370-0015)

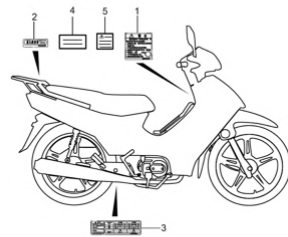


Fig. 39 SEAT (X01-S380-0001)



Fig. 40 STEERING STEM (X01-S400-0001)

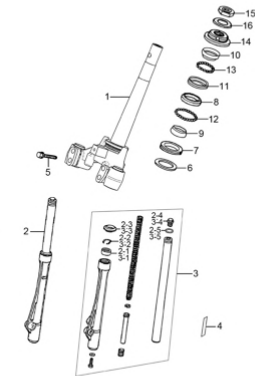


Fig. 41 FRONT WHEEL (X01-S410-0009)

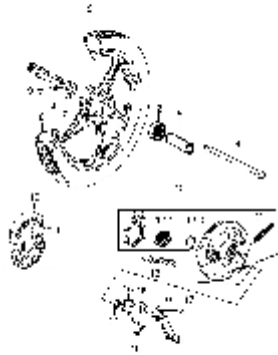


Fig. 42 REAR SWINGING ARM (X01-S440-0001)

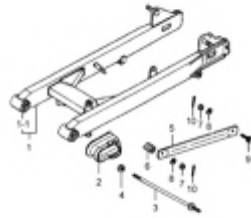


Fig. 43 REARSHOCK ABSORBER, CHAIN CASE (X01-S450-0009)



Fig. 44 REAR WHEEL (X01-S460-0024)

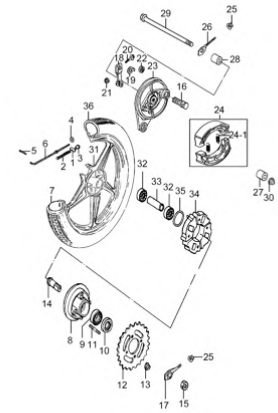


Fig. 45 CARRIER (X01-S480-0016)



Fig.1

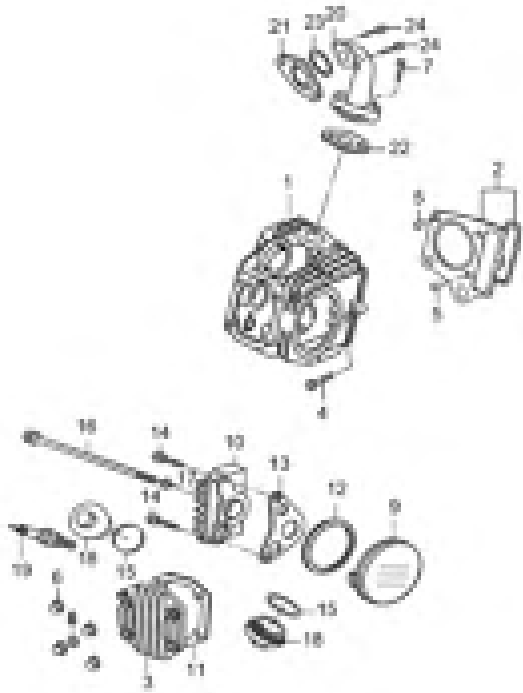


Fig.1 CYLINDER HEAD&CYLINDER HEAD COVER (X01-S010-0001)

REF. No.	PART No.	DESCRIPTION	Q'TY	REMARKS
1	11110H120R0H000	HEAD COMP, CYLINDER	1	
2	11140H12G20H000	GASKET ASSY, CYLINDER HEAD	1	
3	11171H12020H000	COVER, CYLINDER HEAD	1	
4	09128H06011H000	BOLT, HEX WITH CROSS RECESS	1	
5	09206H08004H000	PIN, KNOCK	2	
6	11165H12010H000	NUT, TECTIFORM	4	
7	01500-0625A-000	BOLTS, HEXAGON HEAD	2	
8	11167H12000H000	WASHER, PLAIN (COPPER)	4	
9	11156H120R1H000	COVER, CYLINDER HEAD, L	1	
10	11150H12020H000	COVER COMP, CYLINDER HEAD, R	1	
11	11173H12010H000	GASKET, CYL HEAD COVER	1	
12	11158H12030H000	GASKET, CYLINDER HEAD COVER, L	1	
13	11159H12000H000	GASKET, CYLINDER HEAD COVER, R	1	
14	01547-06207-000	BOLT	2	
15	09280H31001H000	O-RING	2	
16	09103H06015H000	BOLT	1	
17	11167H12000H000	WASHER, PLAIN (COPPER)	1	
18	11175-18910-000	CAP, INSPECTION	2	
19	09482H12000H000	PLUG, SPARK	1	
20	13110H12010H000	PIPE COMP, INTAKE	1	
21	13128H12000H000	INSULATOR, INTAKE PIPE	1	
22	13121H12000H000	GASKET, INTAKE PIPE	1	
23	09280H25010H000	O-RING	1	
24	01500-0630A-000	BOLTS, HEXAGON HEAD	2	

2

Fig. 2

2

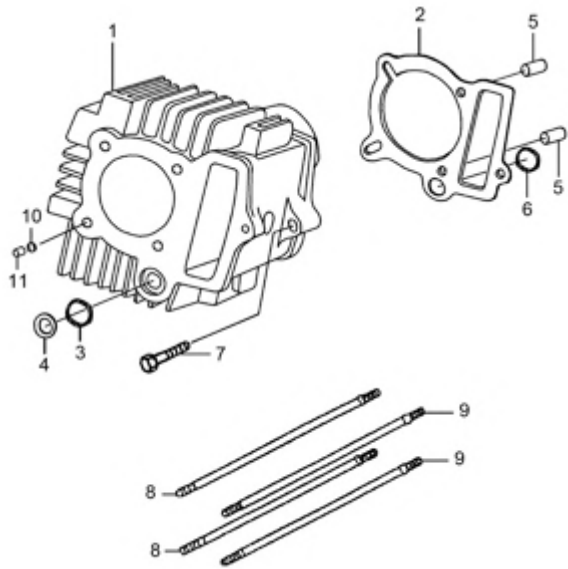


Fig.2 CYLINDER (X01-S020-0001)

REF. No.	PART No.	DESCRIPTION	Q' TY	REMARKS
1	11210H120R0H0H0	CYLINDER COMP	1	
2	11241H12000H000	GASKET, CYLINDER	1	
3	11216H12000H000	GASKET	1	
4	11217H12000H000	BUSH	1	
5	11218H35000H000	PIN	2	
6	11219H12000H000	GASKET	1	
7	09128H06011H000	BOLT, HEX WITH CROSS RECESS	2	
8	11183H12020H0A0	BOLT, STUD	2	
9	11183H12020H0B0	BOLT, STUD	2	
10	11214H12000H000	GASKET	1	
11	11215H12000H000	BUSH	1	

Fig. 3

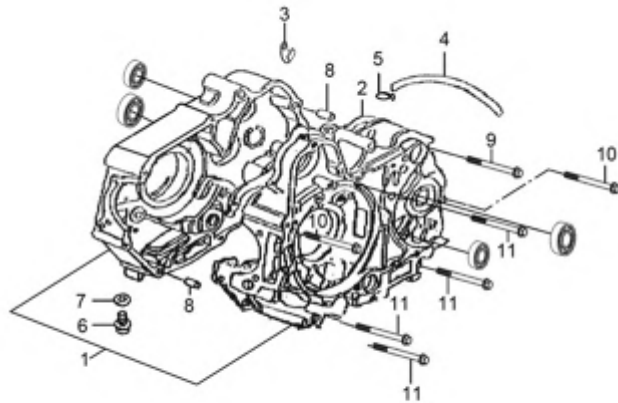


Fig.3 CRANKCASE (X01-S030-0001)

REF. No.	PART No.	DESCRIPTION	Q'TY	REMARKS
1	11300H12Y00H000	CRANKCASE	1	
2	11481H12000H000	GASKET, CRANKCASE	1	
3	11417H12010H000	CLAMP	1	
4	11415H120R2H000	HOSE, BREATHER	1	
5	11416H12000H000	CLAMP, BREATHER HOSE	1	
6	11329H12002H000	PLUG, OIL DRAIN	1	
7	09280H11001H000	O-RING	1	
8	09206H10007H000	PIN, KNOCK	2	
9	01547-06507-000	BOLT, MAGNETO COVER	1	
10	01547-06607-000	BOLT, CRANKCASE	2	
11	01547-0665A-000	BOLTS, HEXAGON HEAD FLANGE	4	

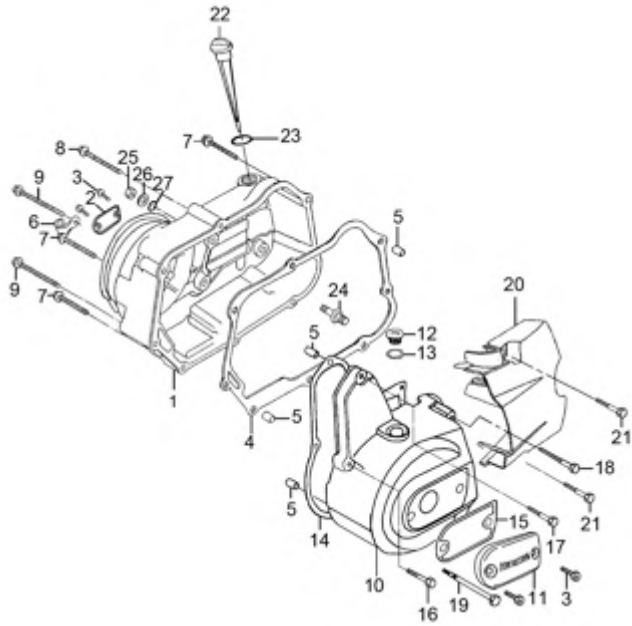
2



Fig. 4

Fig.4 CRANKCASE COVER (X01-S040-0001)

REF. No.	PART No.	DESCRIPTION	Q' TY	REMARKS
1	11340H12020H000	COVER COMP, CLUTCH	1	
2	11383H12020H000	COVER, CLUTCH OUTER	1	
3	09127H06011H000	SCREW	4	
4	11482H12000H000	GASKET, CLUTCH COVER	1	
5	11218H35000H000	PIN	4	
6	11418H12020H000	CLAMP	1	
7	01547-06407-000	BOLT, MAGNETO COVER	5	
8	01547-0665A-000	BOLTS, HEXAGON HEAD FLANGE	1	
9	01547-0680A-000	BOLTS, HEXAGON HEAD FLANGE	2	
10	11351H12050H000	COVER, MAGNETO	1	
11	11384H12020H000	CAP, MAGNETO COVER	1	
12	11353H33001H000	PLUG, TIMING OBSERVATION HOLE	1	
13	09280H13010H000	O-RING	1	
14	11483H12000H000	GASKET, MAGNETO COVER	1	
15	11419H12070H000	GASKET, BRAND COVER L	2	
16	01547-06307-000	BOLT, STG MOT	1	
17	09103H06010H000	BOLT	1	
18	01547-06557-000	BOLT, CRANKCASE	1	
19	01547-0670A-000	BOLTS, HEXAGON HEAD FLANGE	1	
20	11361H12030H000	COVER, ENG SPROCKET	1	
21	01547-06287-000	BOLT	2	
22	11971H12020H000	GAUGE, OIL LEVEL	1	
23	09280H18002H000	O RING	1	
24	21654H13031H000	BOLT, TENSION	1	
25	21655H13001H000	NUT, TENSION	1	
26	09160H08002H000	WASHER, PLAIN	1	
27	09280H08010H000	O-RING	1	



2

Fig. 5

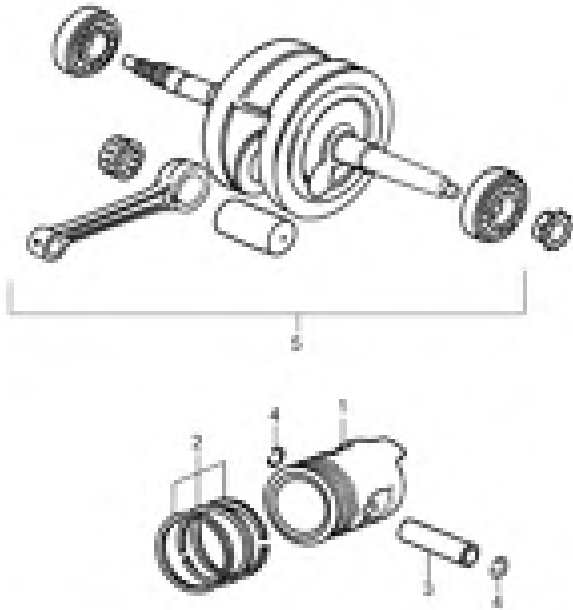


Fig.5 CRANKSHAFT (X01-S050-0001)

REF. No.	PART No.	DESCRIPTION	Q'TY	REMARKS
1	12111H12001H0H0	PISTON	1	
2	12140H12000H000	RING SET, PISTON	1	
3	12151H12000H000	PIN, PISTON	1	
4	12152H12000H000	WASHER, PISTON PIN BEARING	2	
5	12200H13010H000	CRANKSHAFT ASSY	1	

2

Fig. 6

2

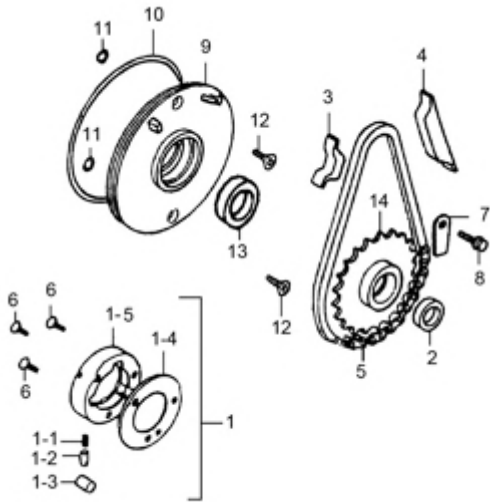


Fig.6 STARTER CLUTCH (X01-S060-0002)

REF. No.	PART No.	DESCRIPTION	Q'TY	REMARKS
1	12640H12000H000	STARTER CLUTCH ASSY	1	
1-1	09440H04001H000	SPRING, COMPRESSION	3	
1-2	12633H12000H000	PIECE, STARTER CLUTCH RLR PUSH	3	
1-3	09261H10003H000	ROLLER	3	
1-4	12649H12000H000	SHIM, STARTER CLUTCH HUB	1	
1-5	12630H12000H000	HUB COMP, STARTER CLUTCH	1	
2	09283H18011H000	SEAL, OIL	1	
3	27750H12010H000	BRACKET COMP, CHAIN TENSIONER	1	
4	27750H12020H000	BRACKET COMP, CHAIN TENSIONER	1	
5	12735H12000H000	CHAIN, STARTER	1	
6	07130-0616B-000	BOLT	3	
7	12643H12000H000	RETAINER, STARTER CLUTCH SPROCKET	1	
8	01547-0612A-000	HEXAGON BOLT WITH FLANGE	1	
9	11391H12000H000	PLATE, OIL	1	
10	09280H00001H000	O-RING	1	
11	09280-06011-000	O-RING	2	
12	02122-0616A-000	SCREW	2	
13	09283H30011H000	SEAL, OIL	1	
14	12620H12000H000	GEAR COMP, STARTER CLUTCH	1	

Fig.7

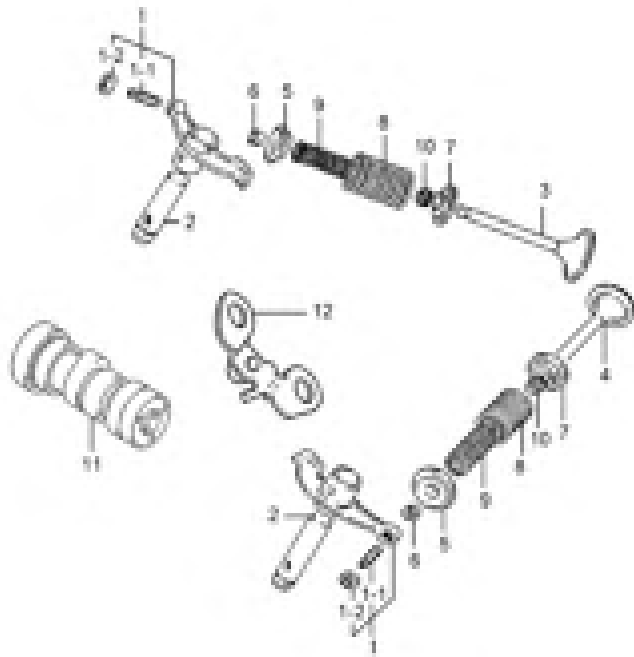


Fig.7 CAMSHAFT-VALVE (X01-S070-0001)

REF. No.	PART No.	DESCRIPTION	Q'TY	REMARKS
1	12840H12030H000	ARM COMP, VALVE ROCKER	2	
1-1	12842H12000H000	SCREW, TAPPET ADJUSTING	1	
1-2	12843H12000H000	NUT, TAPPET ADJUSTING	1	
2	12861H12000H000	SHAFT, VALVE ROCKER ARM	2	
3	12911H12020H000	VALVE, INTAKE	1	
4	12912H12010H000	VALVE, EXHAUST	1	
5	12931H12000H000	RETAINER VALVE SPRING	2	
6	12932H50100H000	COTTER VALVE	4	
7	12933H12000H000	SEAT, VALVE SPRING	2	
8	12922H12000H000	SPRING, VALVE OUTER	2	
9	12921H12000H000	SPRING, VALVE INNER	2	
10	09283H10002H000	SEAL, OIL	2	
11	12710H12050H000	CAMSHAFT COMP	1	
12	12770H13000H000	PLATE COMP, STOPPING	1	

2

Fig. 8

2

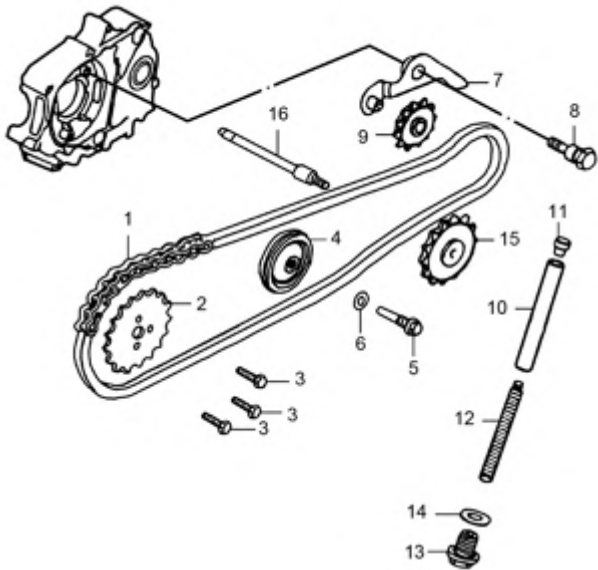


Fig.8 CAM CHAIN (X01-S080-0003)

REF. No.	PART No.	DESCRIPTION	Q' TY	REMARKS
1	12760H12000H000	CHAIN COMP, CAMSHAFT DRIVE	1	
2	12741H12000H000	SPROCKET, CAMSHAFT	1	
3	09100H05001H000	BOLT	3	
4	12771H12000H000	WHEEL, NO-CORE GUIDE	1	
5	09135H08006H000	BOLT	1	
6	09160H08009H000	WASHER, PLAIN	1	
7	12830H12000H000	ADJUSTER ASSY, TENSIONER	1	
8	12812H12000H000	BOLT, TENSIONER	1	
9	12810H12000H000	TENSIONER COMP	1	
10	12880H12000H000	ROD COMP, TENSION	1	
11	12882H12000H000	UNION, TENSION ROD	1	
12	12883H12000H000	SPRING, TENSION ROD	1	
13	12884H12001H000	PLUG, TENSION ROD	1	
14	09160H14003H000	WASHER, PLAIN	1	
15	16330H12000H000	GEAR COMP, OIL PUMP DRIVEN	1	
16	21711H12000H000	SHAFT, PILOT	1	

Fig.9

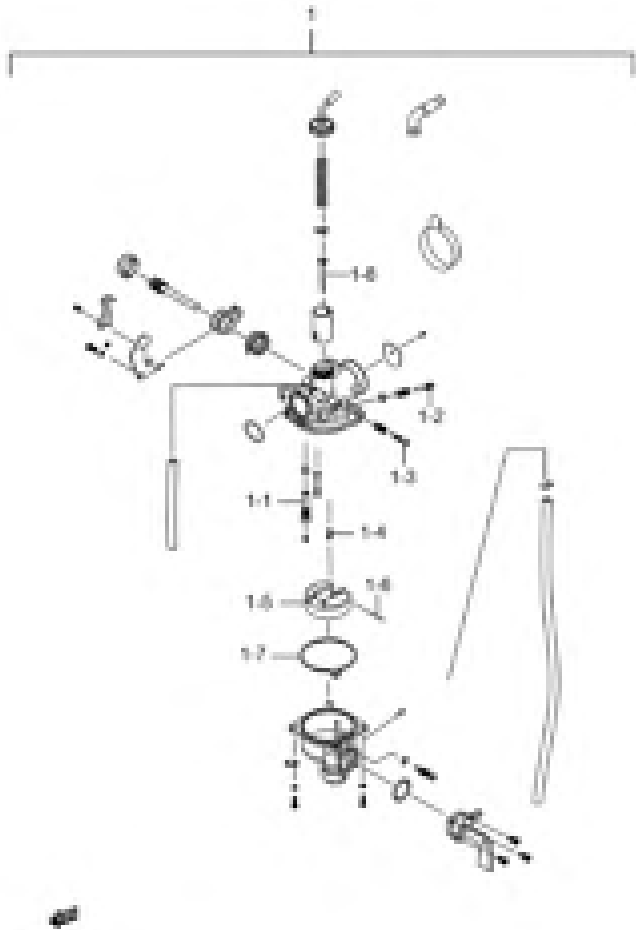


Fig.9 CARBURETOR (X01-S090-0013)

REF. No.	PART No.	DESCRIPTION	Q'TY	REMARKS
1	13200H51020H000	CARBURETOR ASSY	1	
1-1	09494H52120H000	JET, NEEDLE	1	
1-2	13267H52120H000	ADJUSTER	1	
1-3	13279H50200H000	ADJUSTER	1	
1-4	13370H50200H000	NEEDLE VALVE ASSY	1	
1-5	13250H50200H000	FLOAT ASSY	1	
1-6	13254H50200H000	FLOAT PIN	1	
1-7	13251H52100H000	GASKET	1	
1-8	13383H51020H000	JET NEEDLE	1	

2

Fig. 10

2

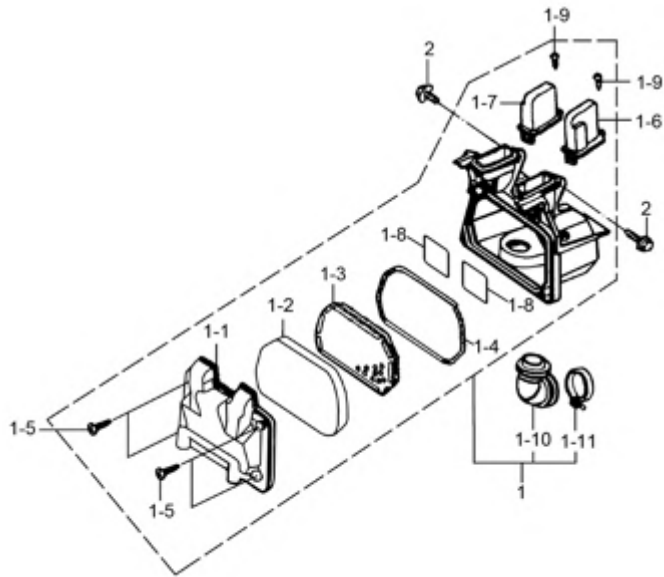


Fig.10 AIR CLEANER (X01-S100-0001)

REF. No.	PART No.	DESCRIPTION	Q' TY	REMARKS
1	13700H51001H000	CLEANER ASSY , AIR	1	
1-1	13723H50000H000	COVER	1	
1-2	13780H50000H000	ELEMENT, AIR CLEANER	1	
1-3	13810H50000H000	TRAP, FLAME	1	
1-4	13724H50000H000	GASKET	1	
1-5	03541-0516A-000	CROSS RECESSED HEAD TAPPING SCREW	4	
1-6	13742H50000H000	LEFT CAP, DUCT	1	
1-7	13741H50000H000	RIGHT CAP, DUCT	1	
1-8	13725H50000H000	GASKET, CAP	2	
1-9	03541-0410B-000	CROSS RECESSED HEAD TAPPING SCREW	2	
1-10	13881H50000H000	TUBE, OUTLET	1	
1-11	09402-44207-000	CLAMP	1	
2	01550-0610B-000	HEXAGON BOLT WITH FLANGE	2	

Fig. 11

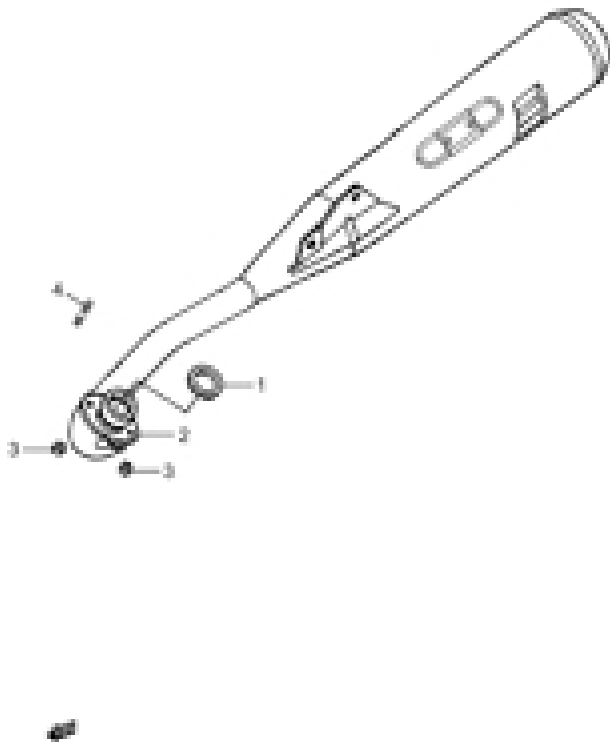


Fig.11 MUFFLER (X01-S110-0001)

REF. No.	PART No.	DESCRIPTION	Q' TY	REMARKS
1	14181H50000H000	GASKET, EXHAUST PIPE	1	
2	14305H51000H000	MUFFLER. COMP	1	
3	08310-0006A-000	NUT	2	
4	12728H12000H000	BOLT, STUD	2	

2

Fig. 12

2

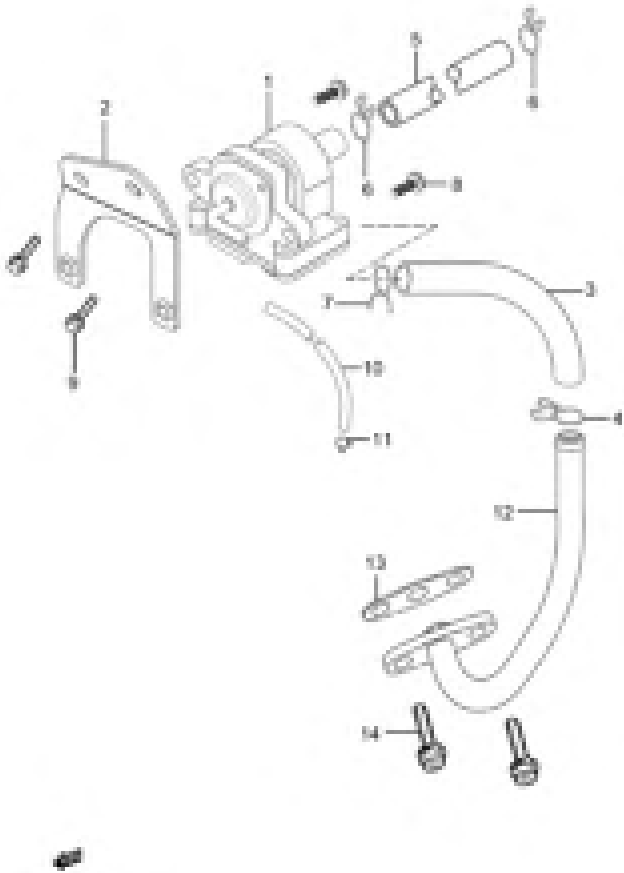


Fig.12 2ND AIR VAVLE (X01-S120-0001)

REF. No.	PART No.	DESCRIPTION	Q' TY	REMARKS
1	18450H12020H000	VALVE ASSY, 2ND AIR	1	
2	18610H50000H000	BRACKET, 2ND AIR VALVE	1	
3	18710H51000H000	HOSE COMP, 2ND AIR CLNR	1	
4	09401H17201H000	CLAMP	1	
5	18461H12002H000	HOSE, 2ND AIR INTAKE	1	
6	09401-15101-000	CLIP, 2ND AIR CLNR HOSE	2	
7	09401H15201H000	CLAMP	1	
8	01550-0620A-000	BOLTS, HEXAGON HEAD FLANGE	2	
9	01550-0612A-000	BOLT	2	
10	09352-40703-160	HOSE	1	
11	09401-06101-000	CLIP	1	
12	18410H12000H000	HOSE COMP, 2ND AIR	1	
13	18441H50100H000	SEAL, 2ND AIR HOSE	1	
14	07130-0616A-000	HEXAGON SOCKET HEAD CAP SCREW	2	

Fig. 13

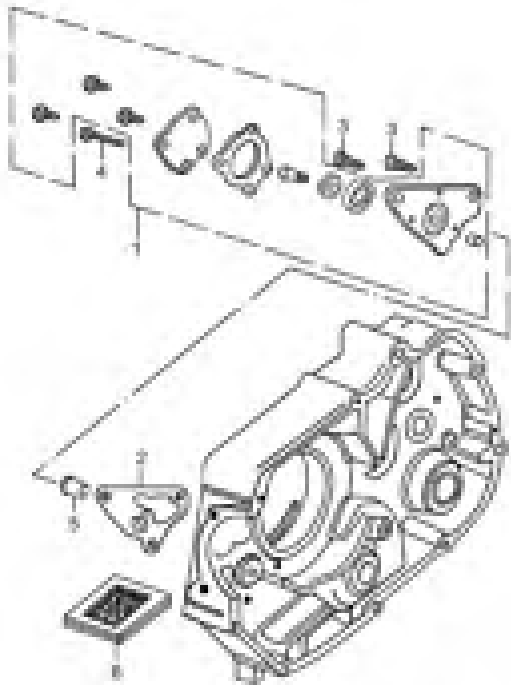


Fig.13 OIL PUMP (X01-S130-0001)

REF. No.	PART No.	DESCRIPTION	Q'TY	REMARKS
1	16400H12000H000	PUMP ASSY, ENG OIL	1	
2	16731H12000H000	GASKET, OIL PUMP	1	
3	01547-0616A-000	BOLT	2	
4	01547-0625A-000	BOLT	1	
5	23267H12010H000	BUSH	1	
6	16520H12000H000	STRAINER COMP, ENG OIL	1	

2

Fig. 14

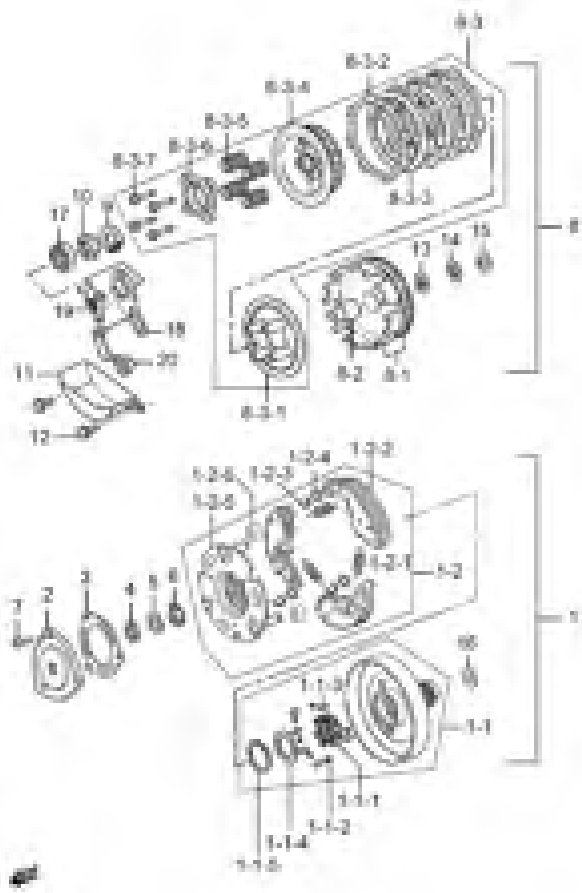


Fig.14 CLUTCH (X01-S140-0005)

REF. No.	PART No.	DESCRIPTION	Q' TY	REMARKS
1	21301H13020H000	CLUTCH COMP, PRIMARY	1	
1-1	21221H13010H000	HOUSING, CLUTCH	1	
1-1-1	21631H13010H000	RACE, ONE WAY CLUTCH INNER	1	
1-1-2	21535H13010H000	SPRING, SIMPLEX FIXING	6	
1-1-3	21543H13010H000	ROLLER, PRINMARY CLUTCH	6	
1-1-4	24149H13000H000	CLIP	1	
1-1-5	24149H13010H000	CLIP	1	
1-2	21134H13010H000	DISC COMP, PRIMARY CLUTCH DRIVE	1	
1-2-1	21337H13010H000	SPRING, PRINMARY CLUTCH	3	
1-2-2	21501H13020H000	CLUTCH ASSY, SHOE	3	
1-2-3	24149H13020H000	CLIP	3	
1-2-4	21528H13010H000	WASHER, THRUST	3	
1-2-5	21135H13010H000	DISC SET, PRIMARY CLUTCH DRIVE	1	
1-2-6	21546H13010H000	DAMPER, CLUTCH	3	
2	21344H13010H000	COVER, PRIMARY CLUTCH	1	
3	21345H13010H000	GASKET, PRIMARY CLUTCH	1	
4	21533H12000H000	NUT, ROUND	1	
5	21529H12000H000	WASHER, DISH	1	
6	21348H13010H000	WASHER, THRUST	1	
7	21349H13010H000	SCREW	3	
8	21601H13020H000	CLUTCH COMP, SECONDARY	1	
8-1	22130H13020H000	DISC COMP, DRIVE	1	
8-2	21643H13010H000	BUSH	1	
8-3	21410H13010H000	HUB COMP, CLUTCH SLEEVE	1	
8-3-1	21635H13010H000	DISC, PRESSURE	1	
8-3-2	21441H13020H000	PLATE, CLUTCH DRIVE	4	
8-3-3	21451H13010H000	PLATE, CLUTCH DRIVEN	3	
8-3-4	21621H13010H000	SPACER, CLUTCH SLEEVE HUB	1	
8-3-5	21634H13010H000	SPRING, COMPRESSION	4	

Fig. 14

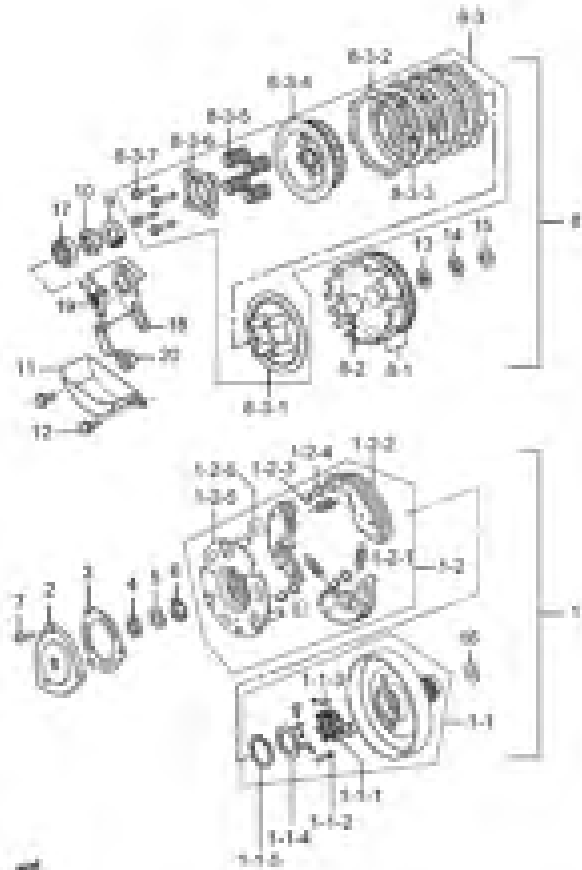


Fig.14 CLUTCH (X01-S140-0005)

REF. No.	PART No.	DESCRIPTION	Q' TY	REMARKS
8-3-6	21462H13010H000	DISC, CLUTCH PRESSURE	1	
8-3-7	21421H35000H000	BOLT	4	
9	21347H13010H000	WASHER, DISH	1	
10	21644H13010H000	NUT, LOCK	1	
11	13851H13010H000	OIL BOX	1	
12	21646H13010H000	BOLT	2	
13	21616H13010H000	RING, LOCATING	1	
14	21619H13010H000	WASHER, SPLINE	1	
15	11325H13010H000	BUSH	1	
16	21528H13020H000	WASHER, THRUST	1	
17	21527H12000H000	BEARING	1	
18	23120H13020H000	PLATE COMP, CAM	1	
19	23170H13000H000	DISC COMP, CLUTCH RELEASE	1	
20	23260H13000H000	ARM COMP, CONTROL	1	

2

Fig. 15

2

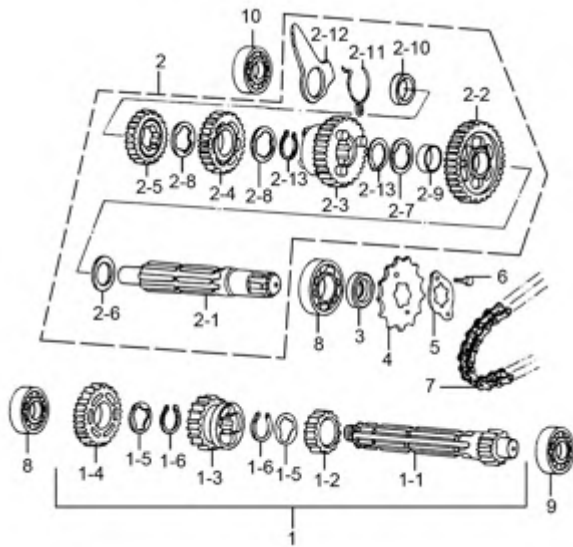


Fig.15 TRANSMISSION (X01-S150-0001)

REF. No.	PART No.	DESCRIPTION	Q' TY	REMARKS
1	24102H51300H000	SHAFT ASSY, COUNTER	1	
1-1	24121H13000H000	SHAFT, COUNTER	1	
1-2	24221H12000H000	GEAR, 2ND DRIVE	1	
1-3	24231H12000H000	GEAR, 3RD DRIVE	1	
1-4	24241H13000H000	GEAR, 4TH DRIVE	1	
1-5	24148H12000H000	WASHER, SPLINE	2	
1-6	24149H12000H000	CLIP	2	
2	24103H51300H000	SHAFT ASSY, DRIVE	1	
2-1	24131H51300H000	SHAFT, DRIVE	1	
2-2	24311H12000H000	GEAR, 1ST DRIVEN	1	
2-3	24321H12000H000	GEAR, 2ND DRIVEN	1	
2-4	24331H12000H000	GEAR, 3RD DRIVEN	1	
2-5	24341H12000H000	GEAR, 4TH DRIVEN	1	
2-6	24153H12000H000	WASHER	1	
2-7	24232H12000H000	WASHER	1	
2-8	24232H12010H000	WASHER	2	
2-9	24156H12000H000	BUSH	1	
2-10	13912H12000H000	COLLAR	1	
2-11	24158H12000H000	SPRING, STOPPING	1	
2-12	24159H12000H000	PLATE, GUIDE	1	
2-13	24129H12000H000	CLIP, ELASTIC	2	
3	09283H17010H000	SEAL, OIL	1	
4	27511H12000H000	SPROCKET, ENGINE	1	
5	27512H12000H000	PLATE, ENGINE SPROCKET	1	
6	09100H06002H000	BOLT, HEXAGON	2	
7	27600H52100H100	CHAIN ASSY, DRIVE	1	
8	08110-62030-000	BEARING, AXLE SHAFT, L	2	
9	08110-60010-000	BEARING, CLUTCH	1	
10	21645H12020H000	BEARING	1	

Fig.16

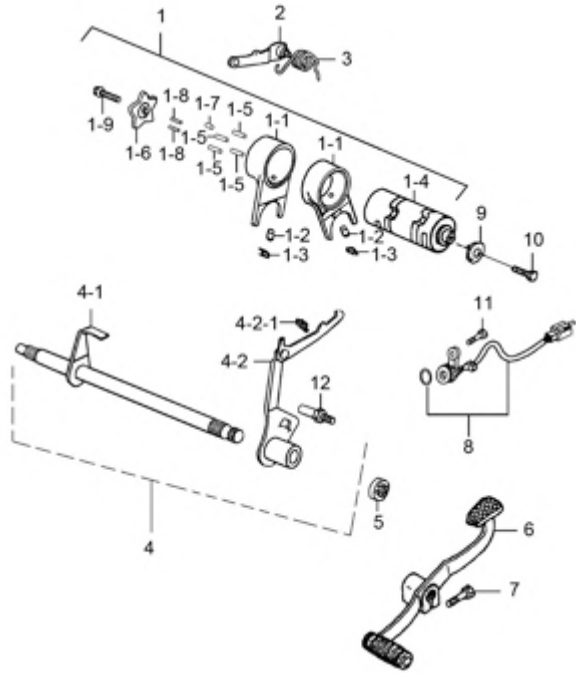


Fig.16 GEAR SHIFTING (X01-S160-0001)

REF. No.	PART No.	DESCRIPTION	Q'TY	REMARKS
1	25310H12020H000	CAM COMP, GEAR SHIFT	1	
1-1	25211H12000H000	FORK, GEAR SHIFT, R	2	
1-2	25212H12000H000	PIN, FORK	2	
1-3	25213H12000H000	CLAMP, SPRING	2	
1-4	25311H12000H000	CAM, GEAR SHIFT	1	
1-5	25329H12000H000	PIN, GEAR SHIFT	4	
1-6	25381H12000H000	PLATE, SHIFT CAM STOPPER	1	
1-7	25334H12000H000	PIN	1	
1-8	25335H12000H000	PIN, GEAR SHIFT FIVE-STAR WHEEL	2	
1-9	25312H12010H000	BOLT, GEAR SHIFT CAM STOPPER PLATE	1	
2	25350H12020H000	STOPPER COMP, GEAR SHIFT CAM	1	
3	25339H12010H000	SPRING, GEAR SHIFT LOCATING PLATE	1	
4	25500H13000H000	SHAFT ASSY, GEAR SHIFT	1	
4-1	25510H13000H000	SHAFT COMP, GEAR SHIFT	1	
4-2	25520H13000H000	ARM COMP, GEAR SHIFT LINK	1	
4-2-1	26226H12000H000	SPRING, RELEASE	1	
5	09285H12010H000	SEAL, OIL	1	
6	25600H12010H000	LEVER SET, GEAR SHIFT	1	
7	01500-0620A-000	BOLT	1	
8	37720H12020H000	BASE ASSY, GEAR SHIFT TERM	1	
9	37730H12000H000	BASE ASSY, GEAR SHIFT TERM	1	
10	07130-0616B-000	BOLT	1	
11	01547-0616A-000	BOLT	1	
12	25357H12000H000	BOLT, CAM STOPPER ARM	1	

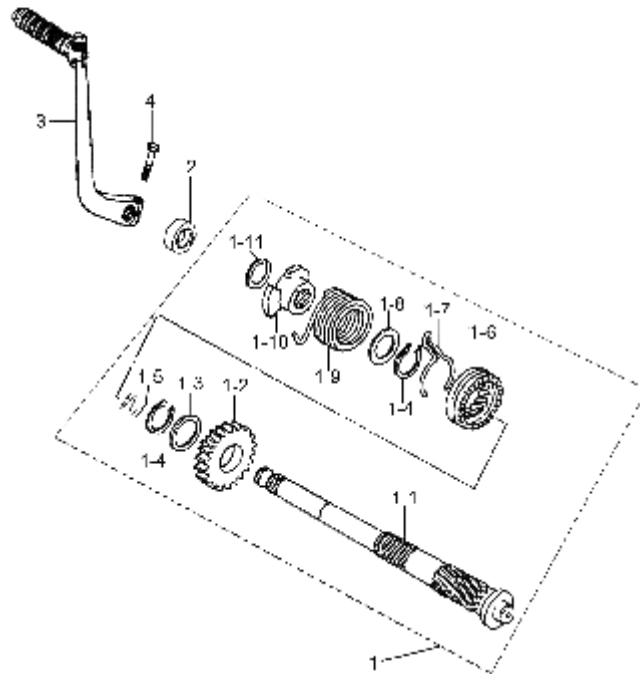
2



Fig. 17

Fig.17 KICK STARTER (X01-S165-0001)

REF. No.	PART No.	DESCRIPTION	Q' TY	REMARKS
1	26210H13020H000	SHAFT COMP, KICK STARTER	1	
1-1	26211H12000H000	SHAFT, KICK STARTER	1	
1-2	26241H13000H000	GEAR, KICK STARTER DRIVE	1	
1-3	21656H12000H000	WASHER	1	
1-4	24149H12010H000	CLIP	2	
1-5	26234H12000H000	SPRING, KICK STARTER RETAINER	1	
1-6	26282H13000H000	RATCHET, KICK STARTER DRIVEN GR	1	
1-7	26235H12000H000	SPRING, KICK STARTER IDLE FRICTION	1	
1-8	21656H12010H000	WASHER	1	
1-9	26226H12000H000	SPRING, RELEASE	1	
1-10	26225H12000H000	SEAT, RELEASE SPRING	1	
1-11	24149H12020H000	CLIP	1	
2	09285H13010H000	SEAL, OIL	1	
3	26300H12010H000	LEVER ASSY, KICK STARTER	1	
4	01500-0625A-000	BOLTS, HEXAGON HEAD	1	



2

Fig. 18

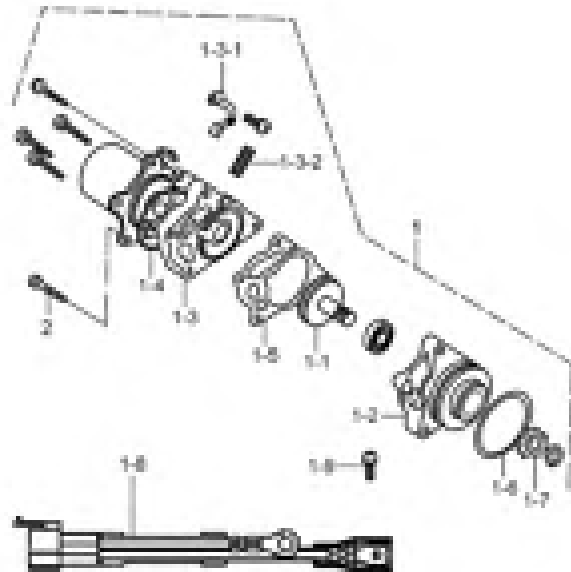


Fig.18 STARTING MOTOR (X01-S170-0001)

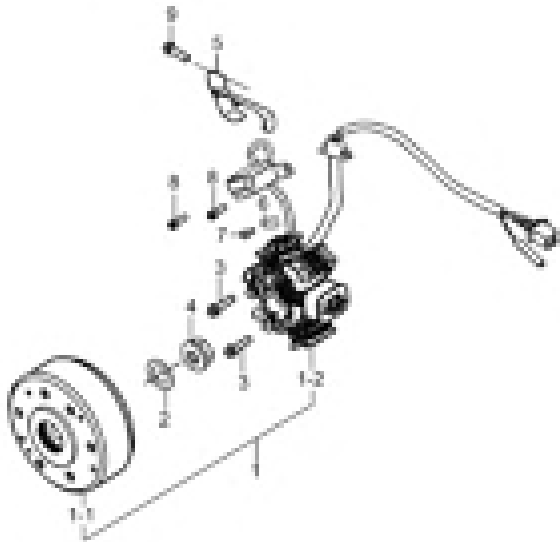
REF. No.	PART No.	DESCRIPTION	Q'TY	REMARKS
1	31100H12021H000	MOTOR ASSY, STARTING	1	
1-1	12610H52100H000	SHAFT COMP, GEAR	1	
1-2	31160H56000H000	COVER ASSY, GEAR	1	
1-3	31150H52100H000	COVER ASSY, FRONT	1	
1-3-1	31133H52100H000	BRUSH, STARTER MOTOR, MINUS	1	
1-3-2	31135H52100H000	SPRING, STARTER MOTOR BRUSH	2	
1-4	31156H52100H000	O-RING	1	
1-5	31158H52100H000	GASKET	1	
1-6	09280H52100H000	O-RING	1	
1-7	12741H52100H000	SPROCKET	1	
1-8	33810H12020H000	WIRE, STARTER MOTOR	1	
1-9	02112-3406A-000	CROSS RECESSED HEAD SCREW	1	
2	01547-0650A-000	BOLTS, HEXAGON HEAD FLANGE	3	

3

Fig. 19

Fig.19 MAGNETO (X01-S180-0001)

REF. No.	PART No.	DESCRIPTION	Q' TY	REMARKS
1	32100H12070H000	MAGNETO ASSY	1	
1-1	32102H12070H000	ROTOR ASSY	1	
1-2	32101H12070H000	STATOR ASSY	1	
2	32113H35000H000	WASHER	1	
3	01547-0620A-000	BOLT	2	
4	32114H12000H000	NUT, MAGNETO	1	
5	32115H12000H000	PLATE, WIRE PRESSURE	1	
6	32116H12020H000	PLATE, TRIGGER WIRE PRESSURE	1	
7	02142-0506A-000	CROSS RECESSED HEAD SCREW	1	
8	07130-0512A-000	HEXAGON SOCKET HEAD CAP SCREW	2	
9	01547-0616A-000	BOLT	1	



3

Fig. 20

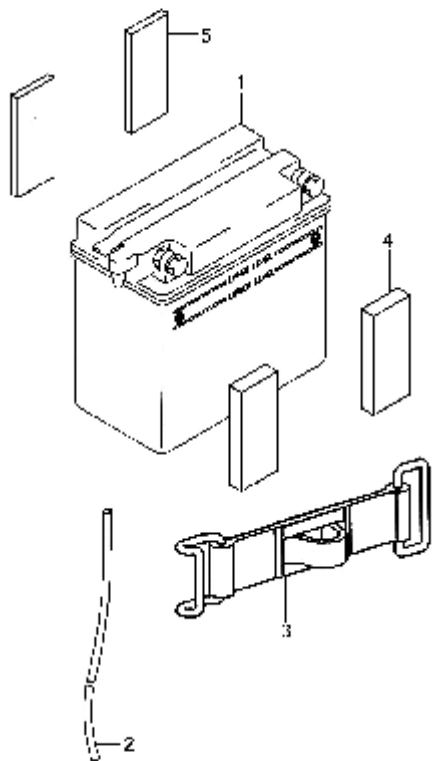


Fig.20 BATTERY (X01-S190-0005)

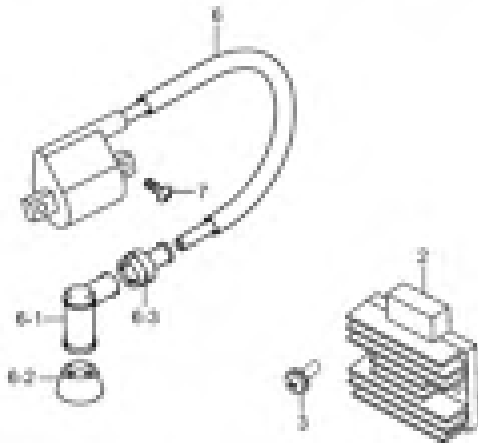
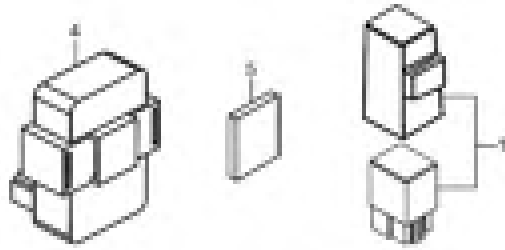
REF. No.	PART No.	DESCRIPTION	Q' TY	REMARKS
1	33611H51021H000	BATTERY	1	
2	33680H51001H000	HOSE, BATTERY EXHAUST	1	
3	33651H51000H000	BAND, BATTERY	1	
4	33652H51001H000	PROTECTOR, BATTERY	2	
5	94839-12FP0-000	CUSHION	2	

3

Fig. 21

Fig.21 ELECTRICAL (X01-S200-0003)

REF. No.	PART No.	DESCRIPTION	Q' TY	REMARKS
1	31800H50000H000	RELAY ASSY, STARTINGMOTOR	1	
2	32800H51001H000	RECTIFIER ASSY	1	
3	02112-1616A-000	CROSS RECESSED HEAD SCREW	2	
4	32900H50020H000	CONTROL UNIT, IGNITION	1	
5	32941H51000H000	CUSHION, CDI UNIT	1	
6	33410H50020H000	COIL ASSY, IGNITION	1	
6-1	33510H50000H000	CAP, SPARK PLUG	1	
6-2	33541H50000H000	SEAL, SPARK PLUG	1	
6-3	33542H50000H000	SEAL, HIGH TENSION CORD	1	
7	02112-7520A-000	SCREW	2	



3

Fig. 22

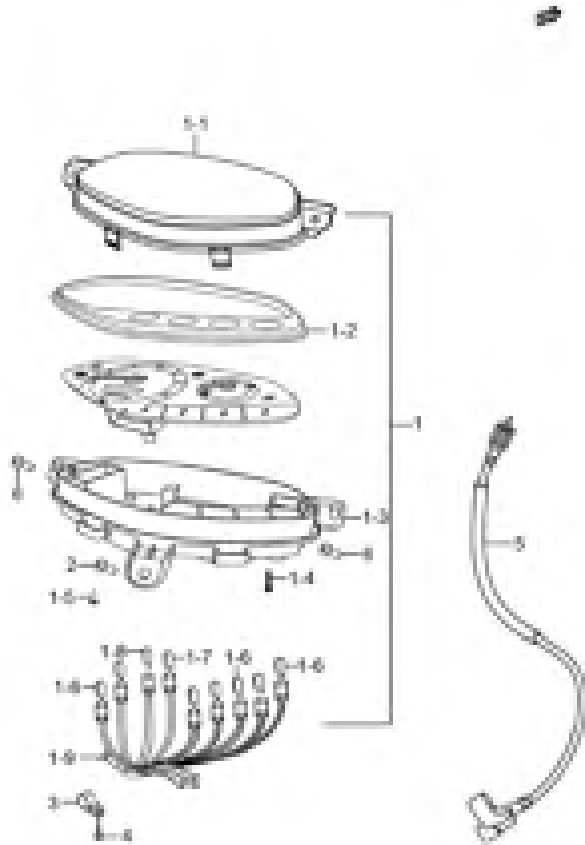


Fig.22 SPEEDOMETER (X01-S210-0001)

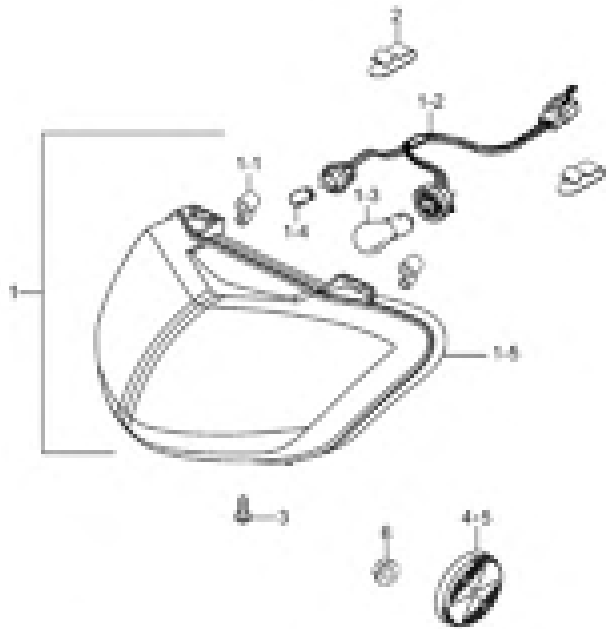
REF. No.	PART No.	DESCRIPTION	Q'TY	REMARKS
1	34100H51001H000	METER ASSY	1	
1-1	34112H51000H000	CASE, SPEEDOMETER UPPER	1	
1-2	34113H51000H000	PLATE, SPEEDOMETER	1	
1-3	34111H51001H000	CASE, SPEEDOMETER, LOWER	1	
1-4	34383-09400-000	SCREW	3	
1-5	02112-74103-000	SCREW	2	
1-6	09471-12077-000	BULB	7	T10 12V 2W
1-7	09471H12023H000	BULB	1	T10 12V 2W
1-8	09471-12196-000	BULB, CUNIFORM LAMP HOLDER	1	T10 12V 3W
1-9	36620H51001H000	HARNESS, WIRING NO. 2	1	
2	03541-0512B-000	SCREW	1	
3	09403H06301H000	CLAMP	1	
4	02122-0516B-000	CROSS RECESSED HEAD SCREW	1	
5	34910H51000H000	CABLE ASSY, SPEEDOMETER	1	
6	03541-0516B-000	SCREW	2	

3

Fig. 23

Fig.23 HEADLAMP (X01-S220-0001)

REF. No.	PART No.	DESCRIPTION	Q' TY	REMARKS
1	35100H51011H000	HEADLAMP ASSY	1	
1-1	35190H51010H000	VENT PIPE, HEADLAMP	2	
1-2	35171H51010H000	CORD, HEADLAMP	1	
1-3	09471-12020-000	BULB, HEADLAMP	1	12V 35/35W
1-4	09471-12081-000	BULB, POSITION LAMP	1	12V 5W
1-5	35121H51011H000	UNIT, HEADLAMP	1	
2	35194H51000H000	CLAMP, HEAD LAMP	2	
3	09136-05051-000	SCREW	1	
4	35950H51001H000	REFLEX REFLECTOR COMP, RR SIDE, R	1	
5	35960H51001H000	REFLEX REFLECTOR COMP, RR SIDE, L	1	
6	08316-1005A-000	HEXAGON FLANGE NUT	2	



3

Fig. 24

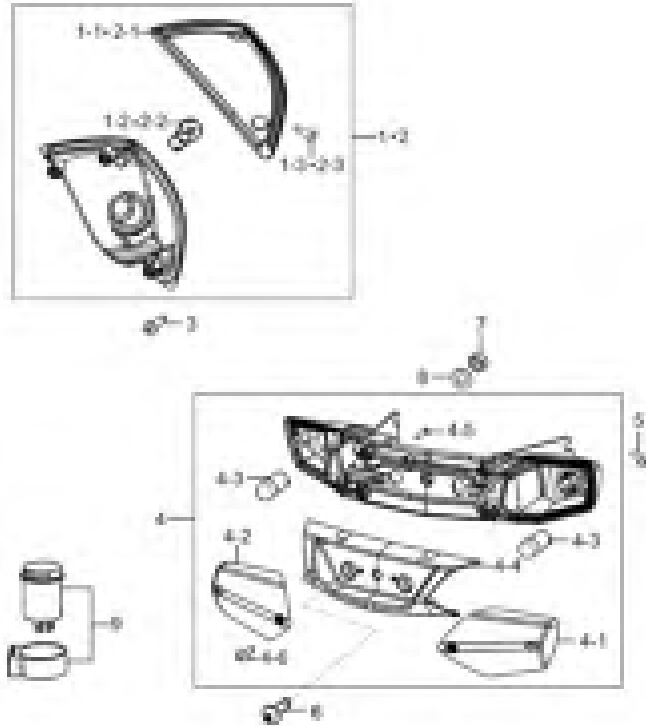


Fig.24 TURN SIGNAL LAMP (X01-S230-0001)

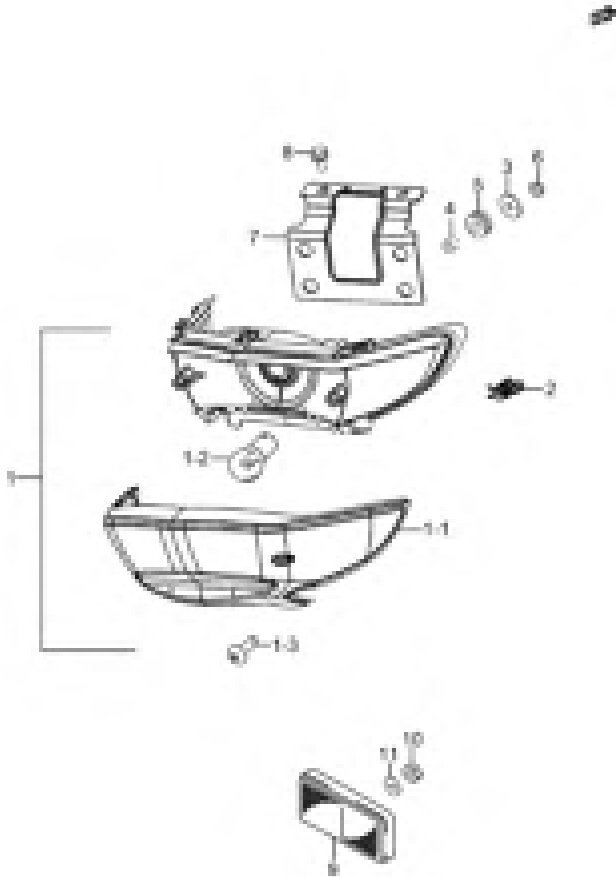
REF. No.	PART No.	DESCRIPTION	Q'TY	REMARKS
1	35601H51031H000	LAMP ASSY, FRONT TURNSIGNAL, R	1	
1-1	35612H51031H000	LENS, FRONT TURNSIGNAL, R	1	
1-2	09471H12016H000	BULB	1	12V PY21W
1-3	03541-0412A-000	CROSS RECESSED HEAD TAPPING SCREW	2	
2	35602H51031H000	LAMP ASSY, FRONT TURNSIGNAL, L	1	
2-1	35632H51031H000	LENS, FRONT TURNSIGNAL, L	1	
2-2	09471H12016H000	BULB	1	12V PY21W
2-3	03541-0412A-000	CROSS RECESSED HEAD TAPPING SCREW	2	
3	03541-0410B-000	CROSS RECESSED HEAD TAPPING SCREW	6	
4	35603H51070H000	LAMP ASSY, REAR TURNSIGNAL	1	
4-1	35652H51070H000	LENS, REAR TURNSIGNAL, R	1	
4-2	35653H51070H000	LENS, REAR TURNSIGNAL LAMP, L	1	
4-3	09471H12016H000	BULB	2	12V PY21W
4-4	35663H51000H000	STAY	1	
4-5	03541-0412A-000	CROSS RECESSED HEAD TAPPING SCREW	4	
4-6	03111-03126-000	SCREW, TAPPING	4	
5	02112-1620B-000	CROSS RECESSED HEAD SCREW	2	
6	03241-0516B-000	SCREW	2	
7	08310-0006B-000	NUT	2	
8	09160-06114-000	WASHER	2	
9	38610-45F00-000	RELAY, TURNSIGNAL LAMP	1	

3

Fig. 25

Fig.25 REAR COMBINATION LAMP (X01-S240-0001)

REF. No.	PART No.	DESCRIPTION	Q' TY	REMARKS
1	35710H51010H000	LAMP ASSY, REAR COMB	1	
1-1	35712H51010H000	LENS, REAR COMB	1	
1-2	09471-12128-000	BULB (12V, 21/5W)	1	12V 21W/5W
1-3	03511-04166-000	SCREW, TAPPING	2	
2	09148-04024-000	NUT, FRAME COVER FRONT	2	
3	09160-06088-000	WASHER, REAR COMB LAMP	8	
4	09180-06285-000	SPACER, REAR COMB	4	
5	09320H09003H000	CUSHION	4	
6	08316-1006A-000	NUT	4	
7	35721H51000H000	BRACKET, REAR LAMP	1	
8	01550-0612B-000	BOLT	2	
9	35970H51000H000	REAR REFLECTOR	1	
10	08310-0005B-000	HEXAGON NUT	1	
11	09160-05037-000	WASHER	1	



3

Fig. 26

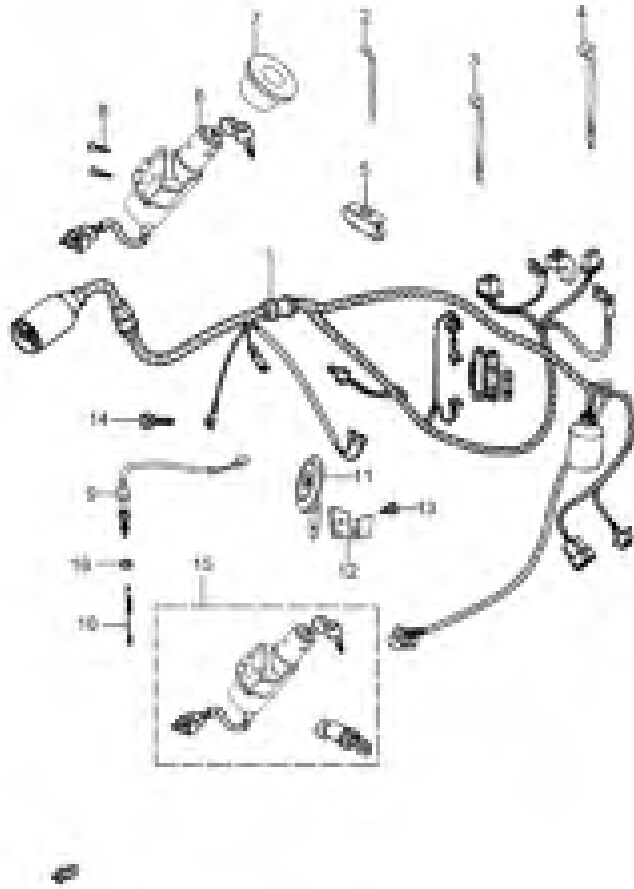


Fig.26 WIRING HARNESS (X01-S250-0006)

REF. No.	PART No.	DESCRIPTION	Q'TY	REMARKS
1	36610H51010H000	HARNESS WIRING	1	
2	09407-14403-000	CLAMP, FUEL HOSE	2	L=125
3	09407-18402-000	CLAMP, FUEL FILTER NO. 2	1	L=165
4	09407-25401-000	CLAMP, WIRING HARNESS	2	L=235
5	09407-05403-000	CLAMP, REAR FENDER	1	
6	37100H51001H000	LOCK ASSY, STEERING	1	
7	37155H51301H000	CAP, STEERING LOCK	1	
8	09125H06098H000	SCREW	2	
9	37740H50202H000	SWITCH ASSY, STOP LAMP	1	
10	09443H05002H000	SPRING, TENSION	1	
11	38500H51011H000	HORN ASSY	1	
12	38590H51000H000	BRACKET COMP, HORN	1	
13	01550-0612A-000	BOLT	1	
14	02112-1612B-000	SCREWS, CROSS RECESSED HEAD	1	
15	37019H51001H000	LOCK SET	1	
16	37741H50200H000	NUT, STOP LAMP SW	1	

3

Fig. 27

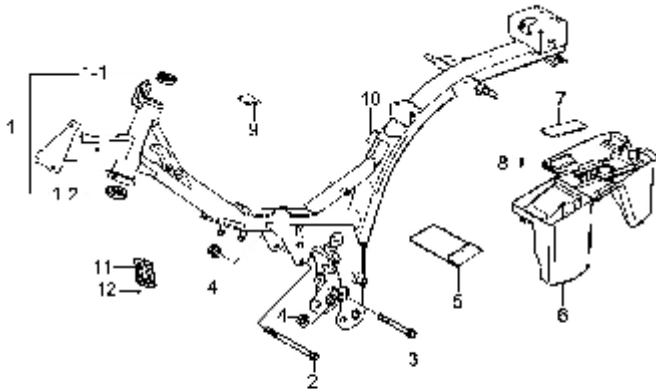


Fig.27 FRAME (X01-S260-0005)

REF. No.	PART No.	DESCRIPTION	Q' TY	REMARKS
1	41100H51Y01H000	FRAME SET	1	
1-1	51611H50000H000	RACE, INNER UPPER	1	
1-2	51612H50000H000	RACE, INNER LOWER	1	
2	09100H08001H000	BOLT	1	
3	09100H08002H000	BOLT	1	
4	08319-3108A-000	NUT	2	
5	09800H20015H000	TOOL ASSY	1	
6	47341H51000H000	BODY, TOOL HOLDER	1	
7	92116H51000H000	WINDOW, FRAME NUMBER	1	
8	03541-0516B-000	SCREW	3	
9	44256H12901H000	SEPARATOR	1	
10	36611H51000H000	PROTECTOR, WIRING HARNESS	1	
11	68311H50010H000	NAMEPLATE, FRAME	1	
12	68389-45F00-000	RIVET	2	

4

Fig. 28

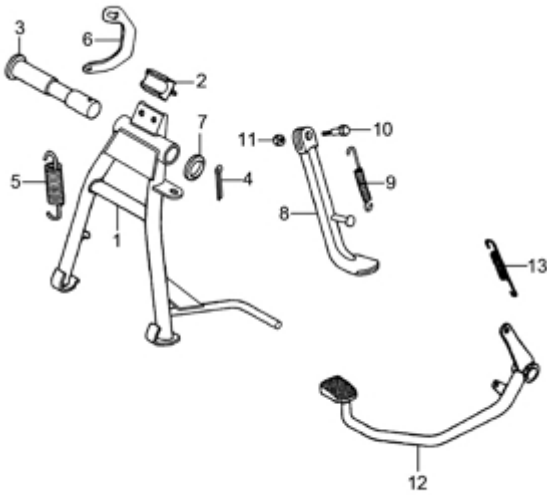


Fig.28 STAND (X01-S270-0003)

REF. No.	PART No.	DESCRIPTION	Q'TY	REMARKS
1	42100H51011H000	STAND COMP, CENTER	1	
2	42181H50002H000	CUSHION	1	
3	42211H51000H000	SHAFT, CENTER STAND	1	
4	04111-3028A-000	COTTER PIN	1	
5	09443H16001H000	SPRING, TENSION	1	
6	42112H51000H000	SPRING PLATE, CENTER STAND	1	
7	43142H11200H000	WASHER	1	
8	42310H51000H000	STAND COMP, PROP	1	
9	09443H15203H000	SPRING, TENSION	1	
10	42551H50000H000	BOLT	1	
11	09140-10043-000	NUT, PROP STAND	1	
12	43110H51010H000	PEDAL COMP, BRAKE	1	
13	09443H14201H000	SPRING	1	

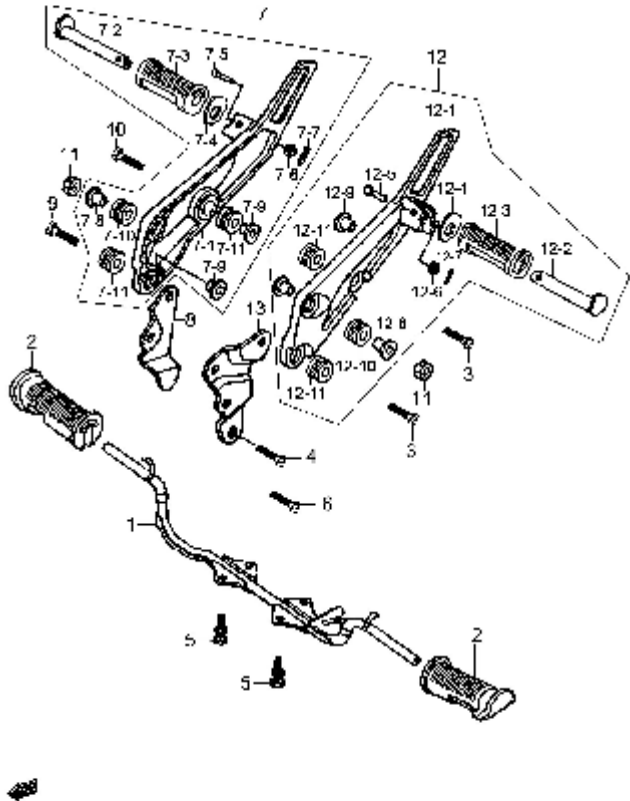
4



Fig. 29

Fig.29 FOOTREST (X01-S280-0006)

4



REF. No.	PART No.	DESCRIPTION	Q'TY	REMARKS
1	43510H51040H000	BAR COMP, FRONT FOOTREST	1	
2	43551H51020H000	RUBBER, FRONT FOOTREST	2	
3	01500-0825A-000	BOLTS, HEXAGON HEAD	2	
4	01550-0816A-000	HEXAGON BOLT WITH FLANGE	1	
5	01580-0825A-000	HEXAGON HEAD BOLT	4	
6	01550-0816A-000	HEXAGON BOLT WITH FLANGE	1	
7	43600H51011H000	FOOTREST ASSY, PILLION, R	1	
7-1	43621H51000H000	HOLDER, PILLION FOOTREST, R	1	
7-2	43610H51000H000	BAR COMP, PILLION FOOTREST, R	1	
7-3	43612H50000H000	RUBBER	1	
7-4	43631H50000H000	WASHER	1	
7-5	43641H22500H000	PIN, PILLION FOOTREST	1	
7-6	08322-0106A-000	WASHER, PLAIN	1	
7-7	04111-2015A-000	COTTER PIN	1	
7-8	09180H11203H000	BUSH, MIDDLE	1	
7-9	09180H08204H000	BUSH, SIDE	2	
7-10	43643H50000H000	PAD, MIDDLE	1	
7-11	43644H50000H000	PAD, SIDE	2	
8	43640H50001H000	LINK PLATE COMP, REAR, RH	1	
9	09116H08001H000	SCREW, MUFFLER, FRONT	1	
10	09116H08003H000	BOLT, WITH WASHER	1	
11	08310-0010A-000	HEXAGON NUT	2	
12	43700H51011H000	FOOTREST ASSY, PILLION, L	1	
12-1	43721H51000H000	HOLDER, PILLION FOOTREST, L	1	
12-2	43710H51000H000	BAR COMP, PILLION FOOTREST, L	1	
12-3	43612H50000H000	RUBBER	1	
12-4	43631H50000H000	WASHER	1	
12-5	43641H22500H000	PIN, PILLION FOOTREST	1	
12-6	08322-0106A-000	WASHER, PLAIN	1	

Fig. 29

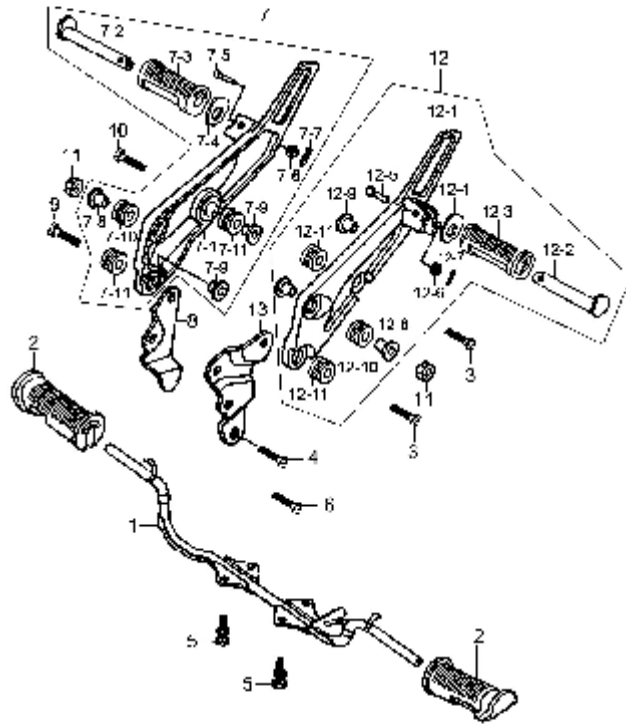


Fig.29 FOOTREST (X01-S280-0006)

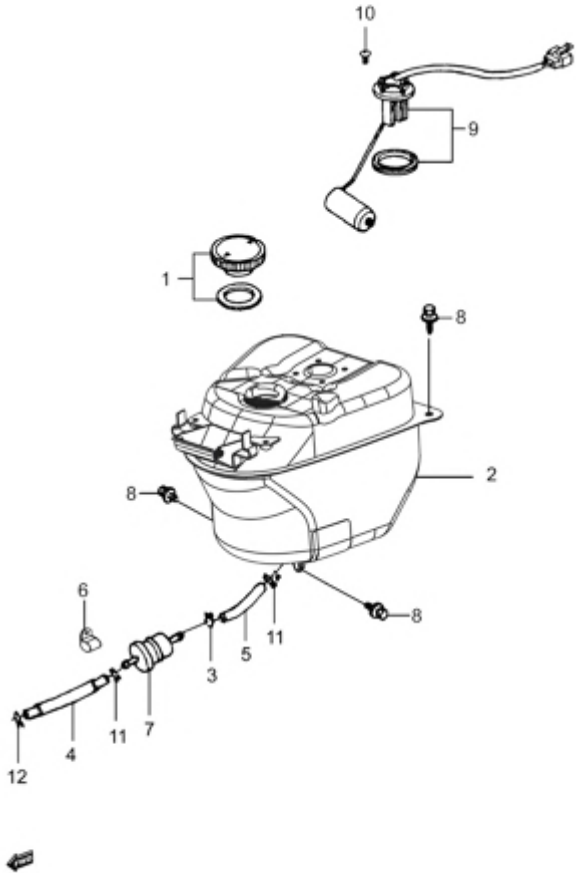
REF. No.	PART No.	DESCRIPTION	Q' TY	REMARKS
12-7	04111-2015A-000	COTTER PIN	1	
12-8	09180H11203H000	BUSH, MIDDLE	1	
12-9	09180H08204H000	BUSH, SIDE	2	
12-10	43643H50000H000	PAD, MIDDLE	1	
12-11	43644H50000H000	PAD, SIDE	2	
13	43750H51000H000	JIONT COMP, PILLION, L	1	

4

Fig. 30

Fig.30 FUEL TANK (X01-S290-0006)

REF. No.	PART No.	DESCRIPTION	Q' TY	REMARKS
1	44200H51020H000	CAP ASSY, FUEL TANK	1	
2	44110H51000H000	TANK COMP, FUEL	1	
3	09401-08414-000	CLIP	1	
4	44420H51012H000	HOSE COMP, FUEL	1	
5	44410H51001H000	HOSE ASSY, INLET	1	
6	44411H51000H000	GUIDE, FUEL HOSE	1	
7	44360H50000H000	FILTER, FUEL	1	
8	01550-0612B-000	BOLT	4	
9	34810H51002H000	GAUGE ASSY, FUEL LEVEL SEND	1	
10	02142-0512B-000	SCREW	4	
11	09401-09101-000	CLAMP	2	
12	09401H09001H000	CLIP	1	



4

Fig. 31

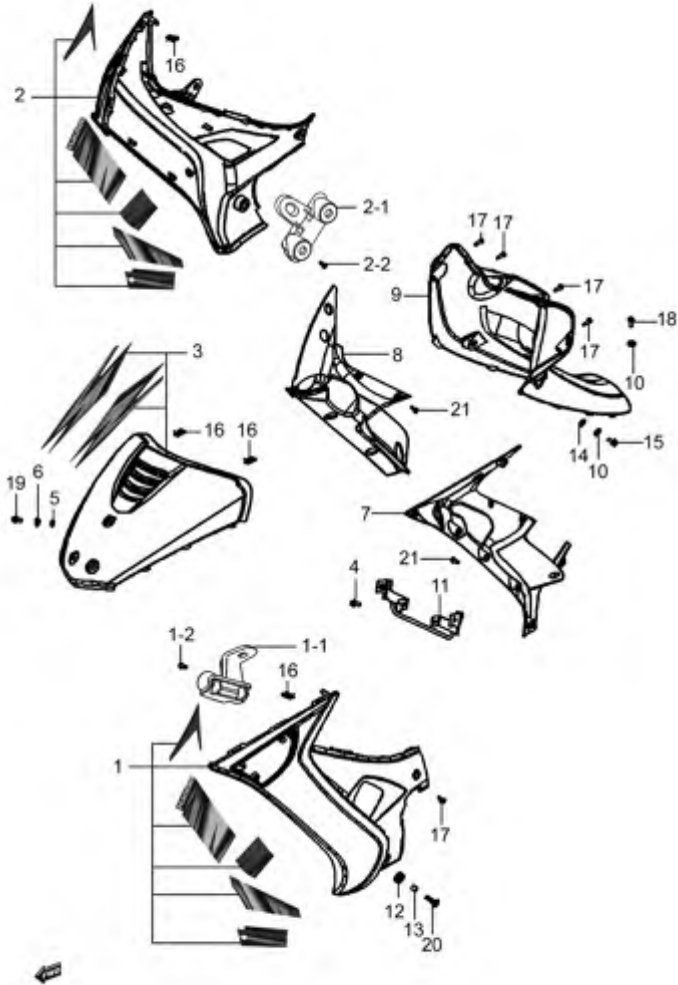


Fig.31 LEG SHIELD (X01-S305-0023)

REF. No.	PART No.	DESCRIPTION	Q' TY	REMARKS
1	48012H51040HF10	SHIELD SET, LEG, OUTER, L (BLACK)	1	
1	48012H51040HF11	SHIELD SET, LEG, OUTER, L (BLACK)	1	
1	48012H51040HF12	SHIELD SET, LEG, OUTER, L (BLACK)	1	
1	48012H51040HF13	SHIELD SET, LEG, OUTER, L (BLACK)	1	
1	48012H51040HF14	SHIELD SET, LEG, OUTER, L (RED)	1	
1	48012H51040HF15	SHIELD SET, LEG, OUTER, L (GREEN)	1	
1-1	35681H51000H000	BRACKET, FRONT TURNSIGNAL, L	1	
1-2	03541-0410B-000	CROSS RECESSED HEAD TAPPING SCREW	2	
2	48011H51060HF10	SHIELD SET, LEG, OUTER, R (BLACK)	1	
2	48011H51060HF11	SHIELD SET, LEG, OUTER, R (BLACK)	1	
2	48011H51060HF12	SHIELD SET, LEG, OUTER, R (BLACK)	1	
2	48011H51060HF13	SHIELD SET, LEG, OUTER, R (BLACK)	1	
2	48011H51060HF14	SHIELD SET, LEG, OUTER, R (RED)	1	
2	48011H51060HF15	SHIELD SET, LEG, OUTER, R (GREEN)	1	
2-1	35671H51000H000	BRACKET, FRONT TURNSIGNAL, R	1	
2-2	03541-0410B-000	CROSS RECESSED HEAD TAPPING SCREW	2	
3	51082H51030HF10	COVER SET, FRAME HEAD/CRYSTAL RED	1	
3	51082H51030HF11	COVER SET, FRAME HEAD/BLUE	1	
3	51082H51030HF12	COVER SET, FRAME HEAD/SILVER	1	
3	51082H51030HF13	COVER SET, FRAME HEAD/BLACK	1	
3	51082H51030HF14	COVER SET, FRAME HEAD/JUJUBE RED	1	
3	51082H51030HF15	COVER SET, FRAME HEAD/GREEN	1	
4	01550-0616A-000	BOLT	2	
5	51875H51000H000	CUSHION, HEAD COVER RUBBER	3	
6	09180H06207H000	BUSH	3	
7	48122H51001H000	SHIELD, LEG INNER, L	1	
8	48112H51001H000	SHIELD, LEG INNER, R	1	

Fig. 31

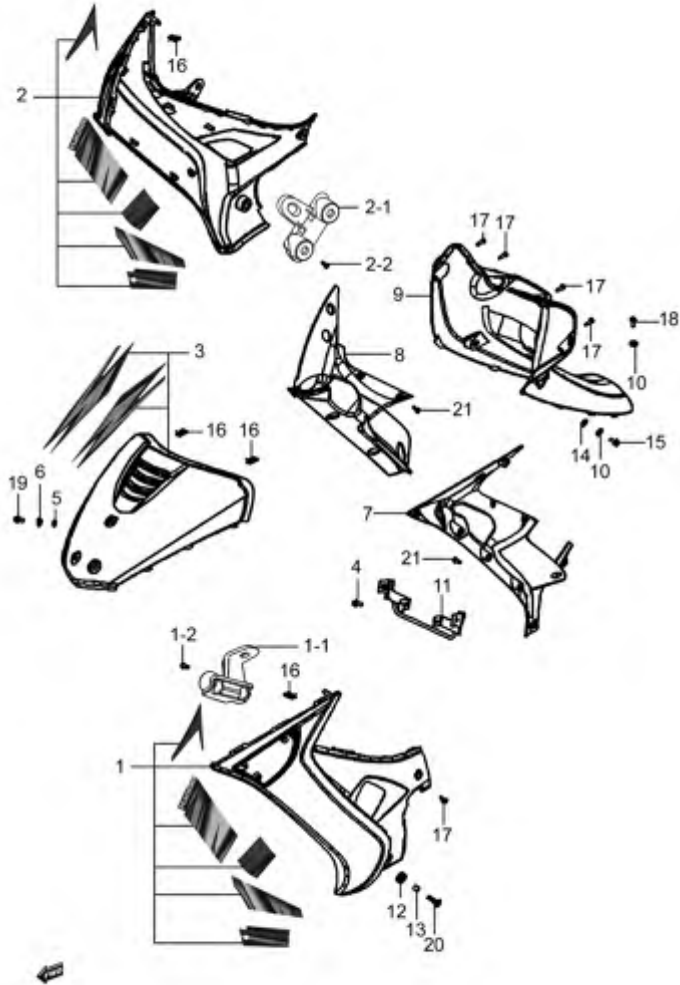


Fig.31 LEG SHIELD (X01-S305-0023)

REF. No.	PART No.	DESCRIPTION	Q' TY	REMARKS
9	48013H51000H000	SHIELD SET, LEG CENTER	1	
10	09169-06071-000	WASHER, FRONT LEG SHIELD	3	
11	48140H51000H000	BRACKET	1	
12	09320-09026-000	CUSHION	2	
13	09180-06263-000	SPACER, CYL COWLING (L9)	2	
14	48135H51000H000	CUSHION, RUBBER	2	
15	01550-0616B-000	BOLT	2	
16	09148-05L08-000	NUT	4	
17	03241-0516B-000	SCREW	6	
18	01550-0616B-000	BOLT	1	
19	01550-0616B-000	BOLT	3	
20	02142-0620B-000	CROSS RECESSED HEAD SCREW	2	
21	03541-0412B-000	SCREW	16	

Fig. 32

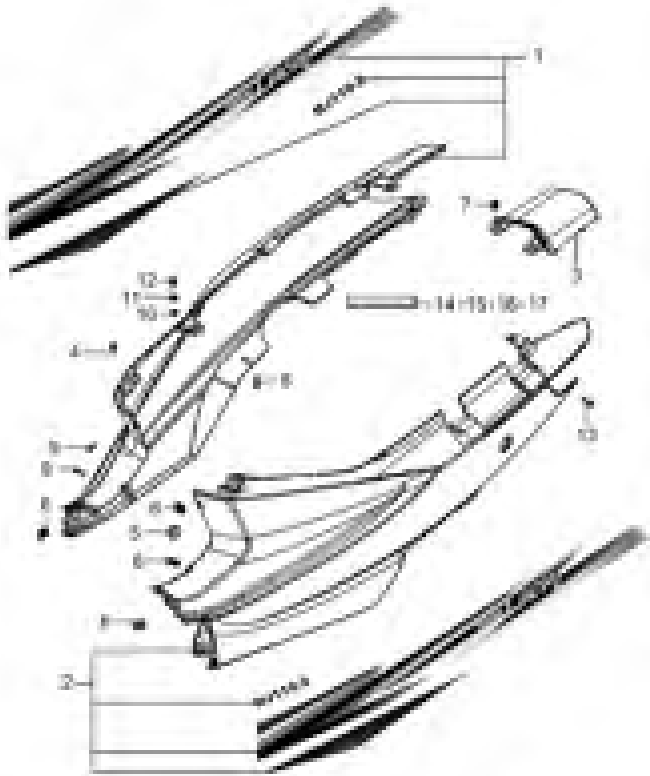


Fig.32 FRAME COVER (X01-S310-0016)

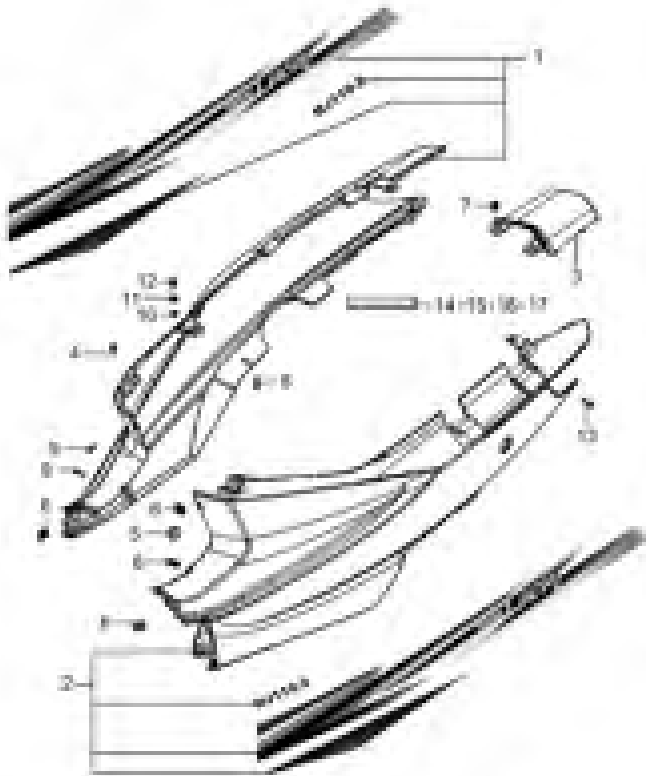
REF. No.	PART No.	DESCRIPTION	Q'TY	REMARKS
1	47012H51040HF10	COVER SET, FRAME, R/CRYSTAL RED	1	
1	47012H51040HF11	COVER SET, FRAME, R/CRYSTAL BLUE	1	
1	47012H51040HF12	COVER SET, FRAME, R/SILVERY	1	
1	47012H51040HF13	COVER SET, FRAME, R/BLACK	1	
1	47012H51040HF14	COVER SET, FRAME, R/RED	1	
1	47012H51040HF15	COVER SET, FRAME, R/GREEN	1	
2	47022H51040HF10	COVER SET, FRAME, L/CRYSTAL RED	1	
2	47022H51040HF11	COVER SET, FRAME, L/CRYSTAL BLUE	1	
2	47022H51040HF12	COVER SET, FRAME, L/SILVERY	1	
2	47022H51040HF13	COVER SET, FRAME, L/BLACK	1	
2	47022H51040HF14	COVER SET, FRAME, L/RED	1	
2	47022H51040HF15	COVER SET, FRAME, L/GREEN	1	
3	47371H51000H108	COVER, FRAME UPPER/CRYSTAL RED	1	
3	47371H51000H607	COVER, FRAME UPPER/BLUE	1	
3	47371H51000H815	COVER, FRAME UPPER/SILVER	1	
3	47371H51000H504	COVER, FRAME UPPER/BLACK	1	
3	47371H51000H117	COVER, FRAME UPPER/JUJUBE RED	1	
3	47371H51000H405	COVER, FRAME UPPER/BLACK GREEN	1	
4	47153H51000H000	BOLT, FRAME BODY COVER	2	
5	09320-08018-000	CUSHION, FRAME COVER REAR	2	
6	09148-05L08-000	NUT	4	
7	09116-06144-000	BOLT, LEG REAR	2	
8	03241-0516B-000	SCREW	2	
9	09136H05001H000	SCREW	2	
10	48135H51000H000	CUSHION, RUBBER	2	
11	09180H06208H000	SPACER	2	
12	02142-0616B-000	SCREW	2	
13	09136H04003H000	SCREW WITH WASHER	2	
14	68165H51000H000	CUSHION, REAR LAMP	2	205*10*3

4

Fig. 32

Fig.32 FRAME COVER (X01-S310-0016)

REF. No.	PART No.	DESCRIPTION	Q' TY	REMARKS
15	68163H51000H000	CUSHION NO. 1, REAR LAMP, UPPER	1	100*9*9
16	68166H51000H000	CUSHION NO. 2, REAR LAMP, UPPER	2	75*9*9
17	68167H51000H000	CUSHION NO. 3, REAR LAMP, UPPER	2	50*9*9



4

Fig. 33

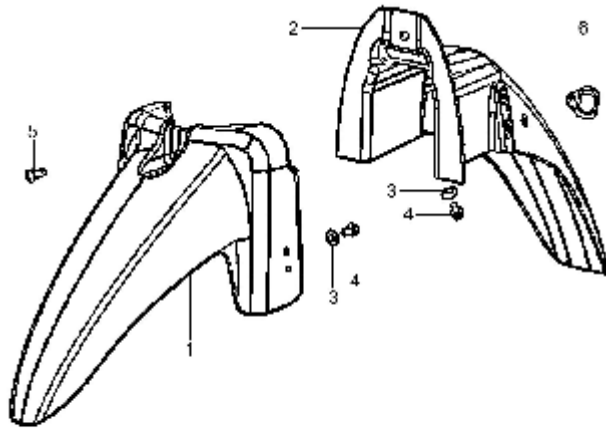


Fig.33 FRONT FENDER (X01-S320-0001)

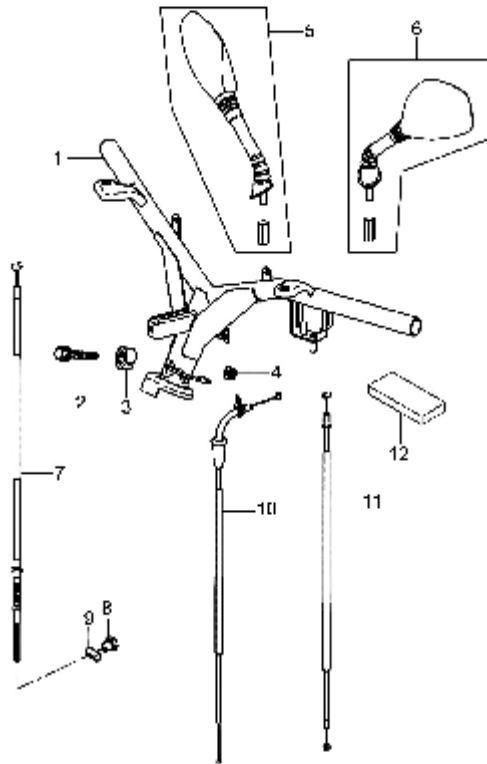
REF. No.	PART No.	DESCRIPTION	Q' TY	REMARKS
1	53111H51000H108	FRONT PART, FRONT FENDER/CRYSTAL RED	1	
1	53111H51000H607	FRONT PART, FRONT FENDER/CRYSTAL BLUE	1	
1	53111H51000H815	FRONT PART, FRONT FENDER/SILVERY	1	
1	53111H51000H504	FRONT PART, FRONT FENDER/BLACK	1	
1	53111H51000H117	FRONT PART, FRONT FENDER	1	
1	53111H51000H405	FRONT PART, FRONT FENDER/GREEN	1	
2	53211H51000H000	REAR PART, FRONT FENDER	1	
3	09169-06071-000	WASHER, FRONT LEG SHIELD	3	
4	01550-0612B-000	BOLT	3	
5	09139H06005H000	SCREW	1	
6	58621H51000H000	GUIDE, CABLE	1	

4

Fig. 34

Fig.34 HANDLEBAR (X01-S330-0005)

REF. No.	PART No.	DESCRIPTION	Q' TY	REMARKS
1	56110H51000H000	HANDLE PIPE COMP	1	
2	09103H10134H000	BOLT	1	
3	56421H50000H000	BUSH	1	
4	08319-3110A-000	NUT	1	
5	56500H51000H000	MIRROR, REAR VIEW, R	1	
6	56600H51000H000	MIRROR, REAR VIEW, L	1	
7	58100H51001H000	CABLE ASSY, FRONT BRAKE	1	
8	09150H06002H000	NUT	1	
9	09209H12003H000	PIN	1	
10	58300H51020H000	CABLE ASSY, THROTTLE	1	
11	58410H51000H000	CABLE COMP, LIMIT AIR	1	
12	33652-08410-000	CUSHION, FRONT BOX	1	



4

Fig. 35

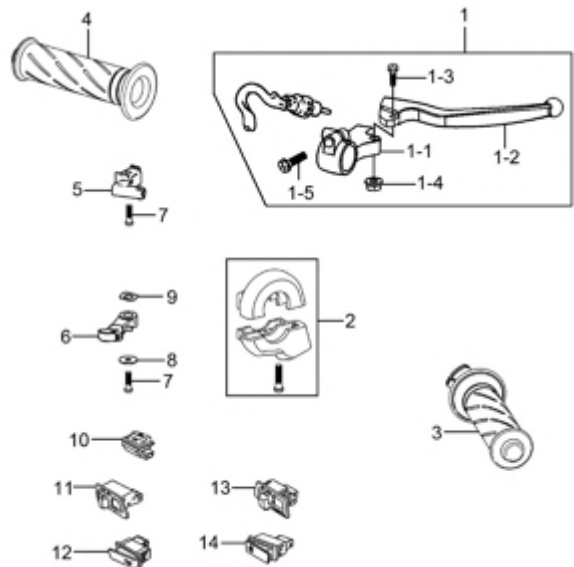


Fig.35 HANDLE SWITCH (X01-S340-0006)

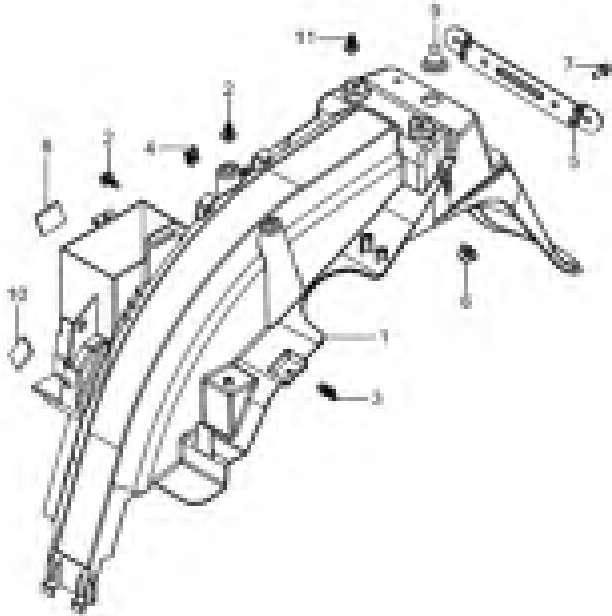
REF. No.	PART No.	DESCRIPTION	Q'TY	REMARKS
1	57300H52111H000	LEVER ASSY, FR BRAKE	1	
1-1	57311H52101H000	HOLDER, BRAKE LEVER	1	
1-2	57421-09G00-000	LEVER, BRAKE	1	
1-3	57431-09GA0-000	BOLT, BRAKE LEVER PIVOT	1	
1-4	08319-2106B-000	U-NUT	1	
1-5	01547-0625B-000	BOLT	1	
2	57100H51000H000	CASE ASSY, THROTTLE	1	
3	57110H51010H000	GRIP COMP, THROTTLE	1	
4	57211H51000H000	GRIP, L	1	
5	58722H51000H000	GUIDE, LIMIT AIR CABLE	1	
6	58721H51000H000	LEVER, CHOKE	1	
7	02112-3512B-000	CROSS RECESSED HEAD SCREW	2	
8	09160-05037-000	WASHER	1	
9	09164H08001H000	WASHER	1	
10	37420H51000H000	SWITCH FAR/NEAR, LIGHT	1	
11	37510-37G00-000	SWITCH, TURN LAMP	1	
12	37520H51010H000	SWITCH ASSY, HORN	1	
13	37340-20E00-000	SWITCH ASSY, LIGHTING	1	
14	37310H51010H000	SWITCH ASSY, STARTER	1	

4

Fig. 36

Fig.36 REAR FENDER (X01-S350-0001)

REF. No.	PART No.	DESCRIPTION	Q' TY	REMARKS
1	63111H51001H000	FENDER, REAR	1	
2	09111-06066-000	BOLT, FIXED FR FENDER	3	
3	09148-05L08-000	NUT	2	
4	09148-05038-000	NUT, LEG REAR NO. 2	2	
5	35927H51000H000	BRACKET, REAR BRAND	1	
6	08316-1006B-000	NUT	2	
7	01550-0612B-000	BOLT	2	
8	32941H51000H000	CUSHION, CDI UNIT	1	
9	09308H08001H000	GROMMET	1	
10	44281H32800H000	CUSHION	2	
11	01550-0616B-000	BOLT	2	



4

Fig. 37

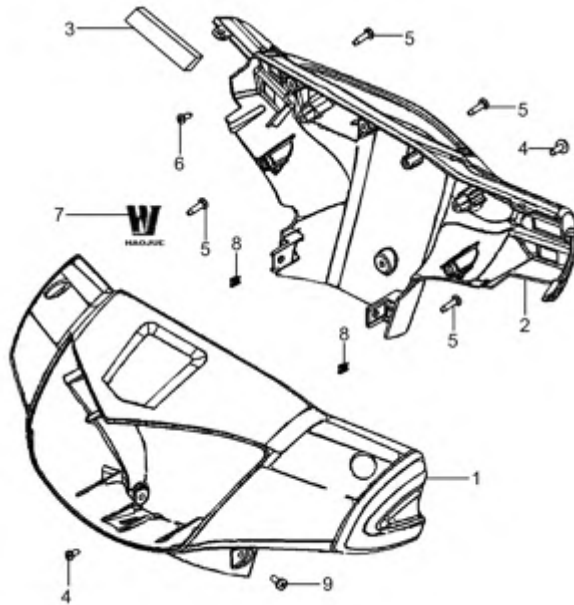


Fig.37 HOUSING, HEADLAMP (X01-S355-0001)

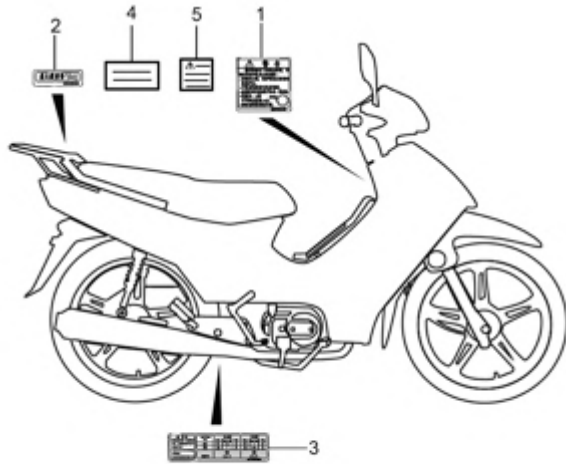
REF. No.	PART No.	DESCRIPTION	Q' TY	REMARKS
1	56311H51000H108	COVER, HANDLE FRONT/CRYSTAL RED	1	
1	56311H51000H607	COVER, HANDLE FRONT/BLUE	1	
1	56311H51000H815	COVER, HANDLE FRONT/SILVER	1	
1	56311H51000H504	COVER, HANDLE FRONT/BLACK	1	
1	56311H51000H117	COVER, HANDLE FRONT/JUJUBE RED	1	
1	56311H51000H405	COVER, HANDLE FRONT/GREEN	1	
2	56321H51000H000	COVER, HANDLE REAR	1	
3	56312H51000H000	MOLDING	1	
4	02142-0512B-000	SCREW	2	
5	03541-0412B-000	SCREW	4	
6	03541-0516B-000	SCREW	2	
7	68170H79000HSIL	LOGO (SIL)	1	
7	68170H79000HMT1	LOGO (MT1)	1	
8	09148-05L08-000	NUT	2	
9	03241-0516B-000	SCREW	2	

4

Fig. 38

Fig.38 LABEL (X01-S370-0015)

REF. No.	PART No.	DESCRIPTION	Q' TY	REMARKS
1	68319H51030H000	LABEL, GENERAL WARNING	1	
2	68391H05700H000	LABEL, LOADING CAPACITY	1	
3	68332H51010H000	LABEL, TIRE INFORMATION	1	
4	99011H51230H000	MANUAL, OWNER'S	1	
5	33690H51010H000	PLATE, BATTERY CAUTION	1	



4

Fig. 39

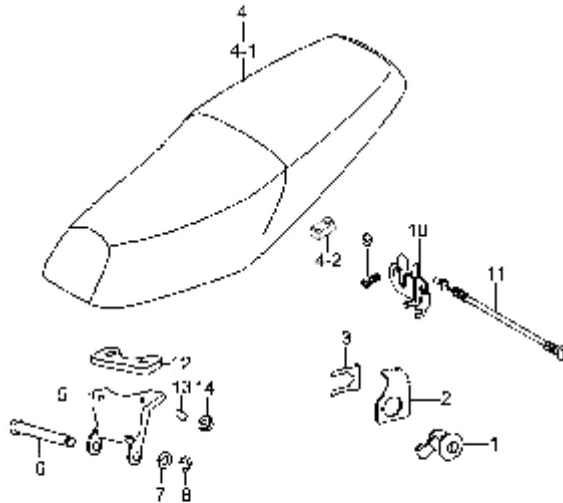


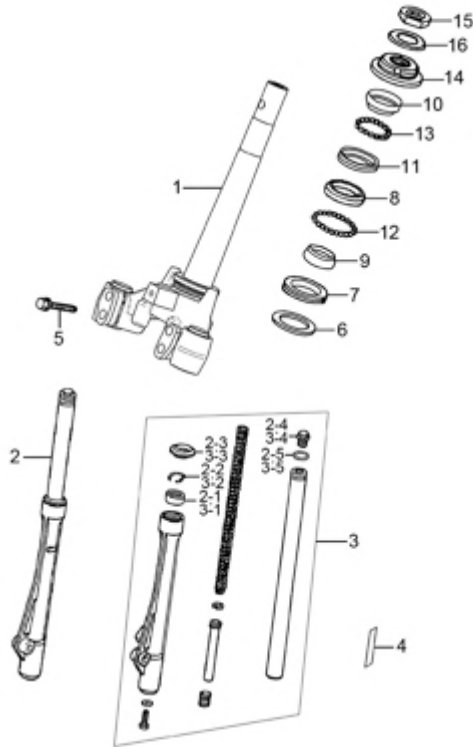
Fig.39 SEAT (X01-S380-0001)

REF. No.	PART No.	DESCRIPTION	Q'TY	REMARKS
1	95700H51000H000	LOCK , SEAT	1	
2	95711H51000H000	GUIDE, SEAT LOCK CABLE	1	
3	95721H51000H000	PLATE SEAT LOCK NO. 2	1	
4	45100H51001H000	SEAT ASSY	1	
4-1	45160H51000H000	COVER COMP, SEAT	1	
4-2	45149-45F00-000	CUSHION, RUBBER	4	
5	45261H51000H000	BRACKET, SEAT ASSY	1	
6	45216H51000H000	PIN SEAT	1	
7	08322-0108B-000	WASHER	1	
8	08332-1106A-000	E-RING	1	
9	01547-0612B-000	BOLT	2	
10	45700-09GA0-000	LOCK ASSY, SEAT NO. 1	1	
11	45280H51000H000	CABLE COMP, SEAT LOCK	1	
12	45149H51000H000	CUSHION, SEAT MOUNT	1	
13	09180H06257H000	SPACER	2	
14	08316-1006B-000	NUT	2	

4

Fig. 40

Fig.40 STEERING STEM (X01-S400-0001)



REF. No.	PART No.	DESCRIPTION	Q' TY	REMARKS
1	51410H51000H000	BRACKET COMP, UNDER	1	
2	51103H51000H000	DAMPER ASSY, FR, R	1	
2-1	51153H50000H000	OIL SEAL	1	
2-2	51156H50000H000	RING, STOPPER	1	
2-3	51173H50000H000	DUST SEAL	1	
2-4	51351H50000H000	CAP, FRONT FORK	1	
2-5	51117H50000H000	O RING	1	
3	51104H51000H000	DAMPER ASSY, FR, L	1	
3-1	51153H50000H000	OIL SEAL	1	
3-2	51156H50000H000	RING, STOPPER	1	
3-3	51173H50000H000	DUST SEAL	1	
3-4	51351H50000H000	CAP, FRONT FORK	1	
3-5	51117H50000H000	O RING	1	
4	68711H50000H000	TAPE, LH	2	
5	01570-1045A-000	HEXAGON HEAD BOLT	4	
6	51625H50000H000	WASHER	1	
7	51626H50000H000	GASKET	1	
8	51612H50000H000	RACE, INNER LOWER	1	
9	51622H50000H000	RACE, OUTER LOWER	1	
10	51621H50000H000	RACE, OUTER UPPER	1	
11	51611H50000H000	RACE, INNER UPPER	1	
12	51660H50000H000	BALLS	1	
13	51650H50000H000	BALLS	1	
14	51630H50001H000	NUT ASSY	1	
15	09140H26001H000	NUT, STEERING STEM	1	
16	09166H26001H000	WASHER, NOTCHED	1	

4

Fig. 41

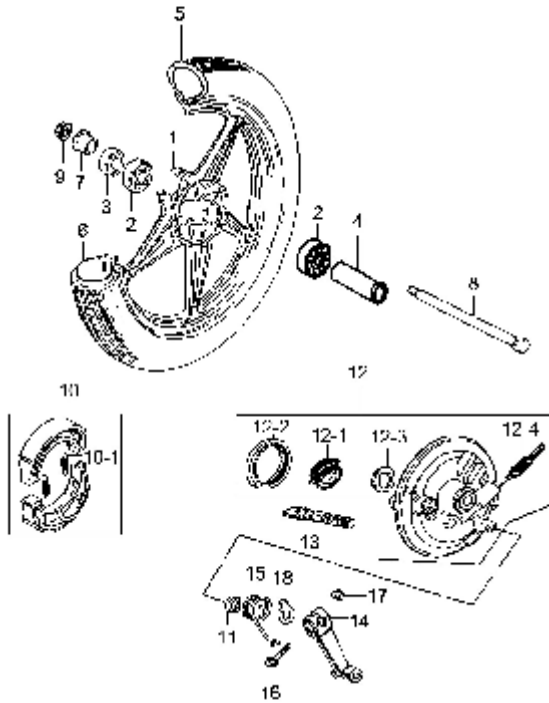


Fig.41 FRONT WHEEL (X01-S410-0009)

REF. No.	PART No.	DESCRIPTION	Q'TY	REMARKS
1	54110H51000H000	WHEEL COMP, FRONT	1	
2	08133-63017-000	BEARING, FRONT HUB	2	
3	54742-36H00-000	SEAL, FRONT HUB	1	
4	54731H50200H000	SPACER, FRONT WHEEL BRG	1	
5	55100H50030H000	TIRE COMP, FRONT	1	
6	55200H50000H000	TUBE ASSY, WHEEL INNER	1	
7	09180H12206H000	SPACER, AXLE, RH	1	
8	54711H50000H000	AXLE, FRONT	1	
9	08319-3112A-000	U-NUT	1	
10	54400H33Y00H000	SHOE COMP, BRAKE	1	
10-1	55421-36H00-000	SPRING, BRAKE SHOE	2	
11	54443-36H00-000	O RING	1	
12	54200H50000H000	PANEL ASSY, FRONT BRAKE	1	
12-1	54610H50000H000	GEAR, SPEEDOMETER DRIVEN	1	
12-2	54640H50000H000	SEAL	1	
12-3	54614H11200H000	WASHER	1	
12-4	54621H50001H000	DRIVEN GEAR, SPEEDOMETER	1	
13	54441H50000H000	SHAFT, BRAKE CAM	1	
14	54451H50002H000	LEVER, BRAKE CAM	1	
15	54453H50000H000	SPRING	1	
16	01547-0630A-000	BOLT	1	
17	08316-1006A-000	NUT	1	
18	54492H50000H000	PLATE, BRAKE LINING	1	

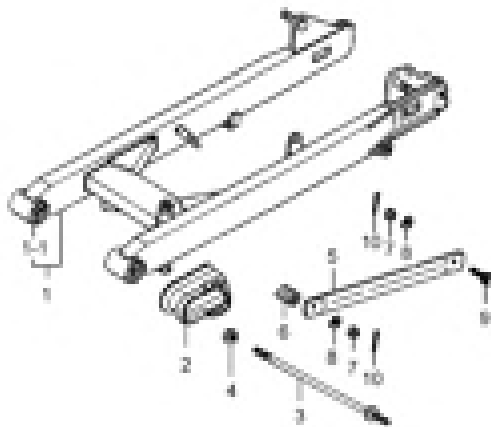
4



Fig. 42

Fig.42 REAR SWINGING ARM (X01-S440-0001)

REF. No.	PART No.	DESCRIPTION	Q' TY	REMARKS
1	61000H51200H000	SWINGINGARM ASSY, REAR	1	
1-1	61200H50000H000	BUSH	2	
2	61273H51000H000	BUFFER, CHAIN TOUCH, DEFENSE	1	
3	61211H51001H000	SHAFT, RR SWG ARM PIVOT	1	
4	09140-10043-000	NUT, PROP STAND	1	
5	64310H50000H000	TORQUE LINK, REAR	1	
6	09440H21001H000	SPRING	1	
7	08310-0008A-000	HEXAGON NUT	2	
8	08322-0108A-000	PLAIN WASHER	2	
9	64341H50000H000	BOLT	1	
10	04111-2020A-000	COTTER PIN	2	



4

Fig. 43

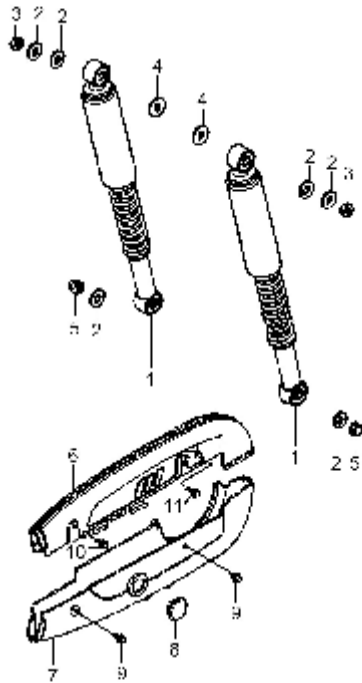


Fig.43 REARSHOCK ABSORBER, CHAIN CASE (X01-S450-0009)

REF. No.	PART No.	DESCRIPTION	Q' TY	REMARKS
1	62100H51001H000	ABSORBER ASSY, REAR SHOCK	2	
2	09160H10001H000	WASHER, PLAIN	6	
3	08310-0010A-000	HEXAGON NUT	2	
4	09160-12090-000	WASHER, RR SHK ABS INNER	2	
5	08313-1010A-000	DOMED CAP NUT	2	
6	61310H51300H000	CASE COMP, CHAIN UPPER	1	
7	61320H51200H000	CASE COMP, CHAIN LOWER	1	
8	61324H51000H000	COVER, OBSERVED, CHAIN	1	
9	01560-0606A-000	HEXAGON HEAD BOLT	2	
10	01550-0610A-000	BOLTS, HEXAGON HEAD FLANGE	1	
11	09103H06007H000	BOLT	1	

4



Fig. 44

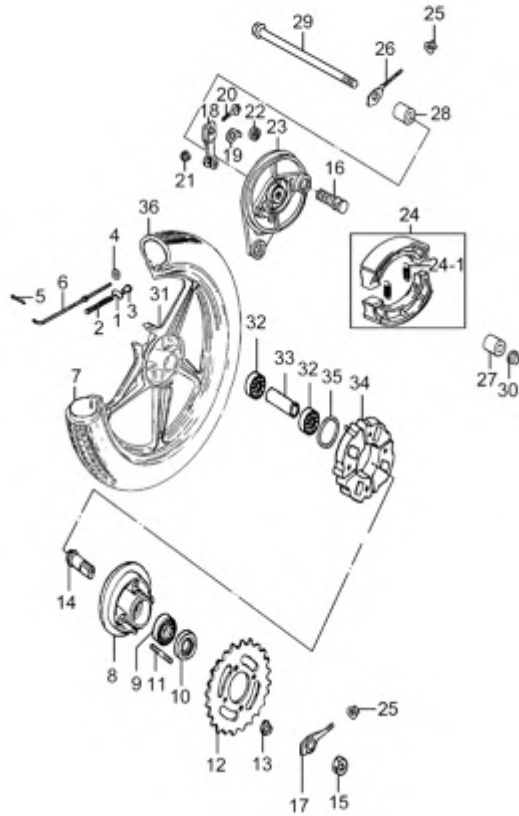


Fig.44 REAR WHEEL (X01-S460-0024)

REF. No.	PART No.	DESCRIPTION	Q' TY	REMARKS
1	09209H12003H000	PIN	1	
2	09440H09008H000	SPRING, COMPRESSION	1	
3	09150H06002H000	NUT	1	
4	08322-0106A-000	WASHER, PLAIN	2	
5	04111-2015A-000	COTTER PIN	1	
6	43310H51000H000	ROD COMP, BRAKE	1	
7	65200H50000H000	TUBE ASSY, INNER	1	
8	64611H51001H000	DRUM, REAR SPROCKET	1	
9	08143-62037-000	BEARING, SPROCKET DRUM	1	
10	64612H50000H000	SEAL OIL	1	
11	01421-0816B-000	BOLT, STUD	4	
12	64511H56000H000	SPROCKET, REAR	1	
13	08310-0008A-000	HEXAGON NUT	4	
14	64733H50000H000	RETAINER, REAR SPROCKET DRUM	1	
15	09140H17001H000	NUT, RETAINER	1	
16	54441H50000H000	SHAFT, BRAKE CAM	1	
17	61410H51000H000	ADJUSTER, CHAIN LH	1	
18	64451H50001H000	LEVER, BRAKE CAM	1	
19	64492H50000H000	PLATE, BRAKE LINLING	1	
20	01547-0635A-000	BOLT	1	
21	08316-1006A-000	NUT	1	
22	54443-36H00-000	O RING	1	
23	64210H50000H000	PANEL, REAR HUB	1	
24	54400H33Y00H000	SHOE COMP, BRAKE	1	
24-1	55421-36H00-000	SPRING, BRAKE SHOE	2	
25	08319-3106A-000	U-NUT	2	
26	61421H51000H000	ADJUSTER, CHAIN RH	1	
27	09180H17002H000	SPACER	1	
28	09180H12133H000	SPACER	1	

Fig. 44

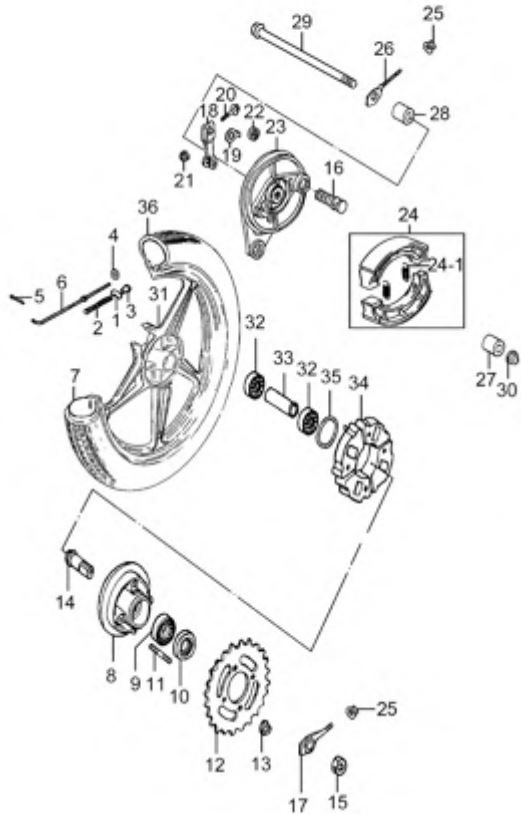


Fig.44 REAR WHEEL (X01-S460-0024)

REF. No.	PART No.	DESCRIPTION	Q' TY	REMARKS
29	64711H50000H000	AXLE, REAR	1	
30	08319-3112A-000	U-NUT	1	
31	64150H36H00H000	WHEEL COMP, REAR	1	
32	08133-63017-000	BEARING, FRONT HUB	2	
33	64731-36H00-000	SPACER, REAR HUB BEARING	1	
34	64651H51000H000	ABSORBER, REAR WHEEL HUB, SHOCK	4	
35	O RING	1		
36	65100H50030H000	TIRE COMP, REAR	1	

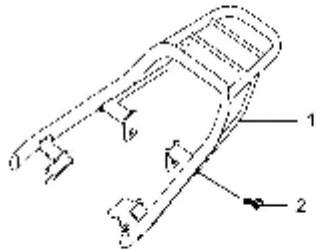
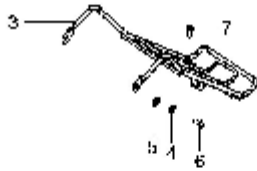
4



Fig. 45

Fig.45 CARRIER (X01-S480-0016)

REF. No.	PART No.	DESCRIPTION	Q' TY	REMARKS
1	46310H51000H000	CARRIER COMP, REAR	1	
2	01550-0816A-000	HEXAGON BOLT WITH FLANGE	2	
3	46320H51000H000	CARRIER ASSY, CENTER	1	
4	09169-06071-000	WASHER, FRONT LEG SHIELD	3	
5	48135H51000H000	CUSHION, RUBBER	2	
6	09136-06126-000	SCREW	2	
7	02112-7616B-000	SCREW	1	



4



PART NO.	FIG. NO. – REF. NO.	PART NO.	FIG. NO. – REF. NO.	PART NO.	FIG. NO. – REF. NO.	PART NO.	FIG. NO. – REF. NO.
00000		01550-0612A-000	12-9	03241-0516B-000	31-17	08310-0008A-000	42-7
		01550-0612A-000	26-13	03241-0516B-000	32-8	08310-0008A-000	44-13
		01550-0612B-000	25-8	03241-0516B-000	37-9	08310-0010A-000	29-11
		01550-0612B-000	30-8	03511-04166-000	25-1-3	08310-0010A-000	43-3
		01550-0612B-000	33-4	03541-0410B-000	10-1-9	08313-1010A-000	43-5
01421-0816B-000	44-11	01550-0612B-000	36-7	03541-0410B-000	24-3	08316-1005A-000	23-6
01500-0620A-000	16-7	01550-0616A-000	31-4	03541-0410B-000	31-1-2	08316-1006A-000	25-6
01500-0625A-000	17-4	01550-0616B-000	31-15	03541-0410B-000	31-2-2	08316-1006A-000	41-17
01500-0625A-000	01-7	01550-0616B-000	31-18	03541-0412A-000	24-1-3	08316-1006A-000	44-21
01500-0630A-000	01-24	01550-0616B-000	31-19	03541-0412A-000	24-2-3	08316-1006B-000	36-6
01500-0825A-000	29-3	01550-0616B-000	36-11	03541-0412A-000	24-4-5	08316-1006B-000	39-14
01547-0612A-000	06-8	01550-0620A-000	12-8	03541-0412B-000	31-21	08319-2106B-000	35-1-4
01547-0612B-000	39-9	01550-0816A-000	29-4	03541-0412B-000	37-5	08319-3106A-000	44-25
01547-0616A-000	13-3	01550-0816A-000	29-6	03541-0512B-000	22-2	08319-3108A-000	27-4
01547-0616A-000	16-11	01550-0816A-000	45-2	03541-0516A-000	10-1-5	08319-3110A-000	34-4
01547-0616A-000	19-9	01560-0606A-000	43-9	03541-0516B-000	22-6	08319-3112A-000	41-9
01547-06207-000	01-14	01570-1045A-000	40-5	03541-0516B-000	27-8	08319-3112A-000	44-30
01547-0620A-000	19-3	01580-0825A-000	29-5	03541-0516B-000	37-6	08322-0106A-000	29-7-6
01547-0625A-000	13-4	02112-1612B-000	26-14	04111-2015A-000	29-7-7	08322-0106A-000	29-12-6
01547-0625B-000	35-1-5	02112-1616A-000	21-3	04111-2015A-000	29-12-7	08322-0106A-000	44-4
01547-06287-000	04-21	02112-1620B-000	24-5	04111-2015A-000	44-5	08322-0108A-000	42-8
01547-06307-000	04-16	02112-3406A-000	18-1-9	04111-2020A-000	42-10	08322-0108B-000	39-7
01547-0630A-000	41-16	02112-3512B-000	35-7	04111-3028A-000	28-4	08332-1106A-000	39-8
01547-0635A-000	44-20	02112-74103-000	22-1-5	07130-0512A-000	19-8	09100H05001H000	08-3
01547-06407-000	04-7	02112-7520A-000	21-7	07130-0616A-000	12-14	09100H06002H000	15-6
01547-06507-000	03-9	02112-7616B-000	45-7	07130-0616B-000	16-10	09100H08001H000	27-2
01547-0650A-000	18-2	02122-0516B-000	22-4	07130-0616B-000	06-6	09100H08002H000	27-3
01547-06557-000	04-18	02122-0616A-000	06-12	08110-60010-000	15-9	09103H06007H000	43-11
01547-06607-000	03-10	02142-0506A-000	19-7	08110-62030-000	15-8	09103H06010H000	04-17
01547-0665A-000	03-11	02142-0512B-000	30-10	08133-63017-000	41-2	09103H06015H000	01-16
01547-0665A-000	04-8	02142-0512B-000	37-4	08133-63017-000	44-32	09103H10134H000	34-2
01547-0670A-000	04-19	02142-0616B-000	32-12	08143-62037-000	44-9	09111-06066-000	36-2
01547-0680A-000	04-9	02142-0620B-000	31-20	08310-0005B-000	25-10	09116-06144-000	32-7
01550-0610A-000	43-10	03111-03126-000	24-4-6	08310-0006A-000	11-3	09116H08001H000	29-9
01550-0610B-000	10-2	03241-0516B-000	24-6	08310-0006B-000	24-7	09116H08003H000	29-10

5

PART NO.	FIG. NO. – REF. NO.	PART NO.	FIG. NO. – REF. NO.	PART NO.	FIG. NO. – REF. NO.	PART NO.	FIG. NO. – REF. NO.
09125H06098H000	26-8	09169-06071-000	45-4	09320-09026-000	31-12	10000	
09127H06011H000	04-3	09180-06263-000	31-13	09320H09003H000	25-5		
09128H06011H000	01-4	09180-06285-000	25-4	09352-40703-160	12-10		
09128H06011H000	02-7	09180H06207H000	31-6	09401-06101-000	12-11		
09135H08006H000	08-5	09180H06208H000	32-11	09401-08414-000	30-3		
09136-05051-000	23-3	09180H06257H000	39-13	09401-09101-000	30-11	11110H120R0H000	01-1
09136-06126-000	45-6	09180H08204H000	29-7-9	09401-15101-000	12-6	11140H12C20H000	01-2
09136H04003H000	32-13	09180H08204H000	29-12-9	09401H09001H000	30-12	11150H12020H000	01-10
09136H05001H000	32-9	09180H11203H000	29-7-8	09401H15201H000	12-7	11156H120R1H000	01-9
09139H06005H000	33-5	09180H11203H000	29-12-8	09401H17201H000	12-4	11158H12030H000	01-12
09140-10043-000	28-11	09180H12133H000	44-28	09402-44207-000	10-1-11	11159H12000H000	01-13
09140-10043-000	42-4	09180H12206H000	41-7	09403H06301H000	22-3	11165H12010H000	01-6
09140H17001H000	44-15	09180H17002H000	44-27	09407-05403-000	26-5	11167H12000H000	01-17
09140H26001H000	40-15	09206H08004H000	01-5	09407-14403-000	26-2	11167H12000H000	01-8
09148-04024-000	25-2	09206H10007H000	03-8	09407-18402-000	26-3	11171H12020H000	01-3
09148-05038-000	36-4	09209H12003H000	34-9	09407-25401-000	26-4	11173H12010H000	01-11
09148-05L08-000	31-16	09209H12003H000	44-1	09440H04001H000	06-1-1	11175-18910-000	01-18
09148-05L08-000	32-6	09261H10003H000	06-1-3	09440H09008H000	44-2	11183H12020H0A0	02-8
09148-05L08-000	36-3	09280-06011-000	06-11	09440H21001H000	42-6	11183H12020H0B0	02-9
09148-05L08-000	37-8	09280H00001H000	06-10	09443H05002H000	26-10	11210H120R0H0H0	02-1
09150H06002H000	34-8	09280H08010H000	04-27	09443H14201H000	28-13	11214H12000H000	02-10
09150H06002H000	44-3	09280H11001H000	03-7	09443H15203H000	28-9	11215H12000H000	02-11
09160-05037-000	25-11	09280H13010H000	04-13	09443H16001H000	28-5	11216H12000H000	02-3
09160-05037-000	35-8	09280H18002H000	04-23	09471-12020-000	23-1-3	11217H12000H000	02-4
09160-06088-000	25-3	09280H25010H000	01-23	09471-12077-000	22-1-6	11218H35000H000	02-5
09160-06114-000	24-8	09280H31001H000	01-15	09471-12081-000	23-1-4	11218H35000H000	04-5
09160-12090-000	43-4	09280H52100H000	18-1-6	09471-12128-000	25-1-2	11219H12000H000	02-6
09160H08002H000	04-26	09283H10002H000	07-10	09471-12196-000	22-1-8	11241H12000H000	02-2
09160H08009H000	08-6	09283H17010H000	15-3	09471H12016H000	24-1-2	11300H12Y00H000	03-1
09160H10001H000	43-2	09283H18011H000	06-2	09471H12016H000	24-2-2	11325H13010H000	14-15
09160H14003H000	08-14	09283H30011H000	06-13	09471H12016H000	24-4-3	11329H12002H000	03-6
09164H08001H000	35-9	09285H12010H000	16-5	09471H12023H000	22-1-7	11340H12020H000	04-1
09166H26001H000	40-16	09285H13010H000	17-2	09482H12000H000	01-19	11351H12050H000	04-10
09169-06071-000	31-10	09308H08001H000	36-9	09494H52120H000	09-1-1	11353H33001H000	04-12
09169-06071-000	33-3	09320-08018-000	32-5	09800H20015H000	27-5	11361H12030H000	04-20

PART NO.	FIG. NO. – REF. NO.	PART NO.	FIG. NO. – REF. NO.	PART NO.	FIG. NO. – REF. NO.	PART NO.	FIG. NO. – REF. NO.	
11383H12020H000	04-2	12840H12030H000	07-1	13881H50000H000	10-1-10	21501H13020H000	14-1-2-2	
11384H12020H000	04-11	12842H12000H000	07-1-1	13912H12000H000	15-2-10	21527H12000H000	14-17	
11391H12000H000	06-9	12843H12000H000	07-1-2	14181H50000H000	11-1	21528H13010H000	14-1-2-4	
11415H120R2H000	03-4	12861H12000H000	07-2	14305H51000H000	11-2	21528H13020H000	14-16	
11416H12000H000	03-5	12880H12000H000	08-10	16330H12000H000	08-15	21529H12000H000	14-5	
11417H12010H000	03-3	12882H12000H000	08-11	16400H12000H000	13-1	21533H12000H000	14-4	
11418H12020H000	04-6	12883H12000H000	08-12	16520H12000H000	13-6	21535H13010H000	14-1-1-2	
11419H12070H000	04-15	12884H12001H000	08-13	16731H12000H000	13-2	21543H13010H000	14-1-1-3	
11481H12000H000	03-2	12911H12020H000	07-3	18410H12000H000	12-12	21546H13010H000	14-1-2-6	
11482H12000H000	04-4	12912H12010H000	07-4	18441H50100H000	12-13	21601H13020H000	14-8	
11483H12000H000	04-14	12921H12000H000	07-9	18450H12020H000	12-1	21616H13010H000	14-13	
11971H12020H000	04-22	12922H12000H000	07-8	18461H12002H000	12-5	21619H13010H000	14-14	
12111H12001H0H0	05-1	12931H12000H000	07-5	18610H50000H000	12-2	21621H13010H000	14-8-3-4	
12140H12000H000	05-2	12932H50100H000	07-6	18710H51000H000	12-3	21631H13010H000	14-1-1-1	
12151H12000H000	05-3	12933H12000H000	07-7			21634H13010H000	14-8-3-5	
12152H12000H000	05-4	13110H12010H000	01-20			21635H13010H000	14-8-3-1	
12200H13010H000	05-5	13121H12000H000	01-22			21643H13010H000	14-8-2	
12610H52100H000	18-1-1	13128H12000H000	01-21	20000		21644H13010H000	14-10	
12620H12000H000	06-14	13200H51020H000	09-1			21645H12020H000	15-10	
12630H12000H000	06-1-5	13250H50200H000	09-1-5			21646H13010H000	14-12	
12633H12000H000	06-1-2	13251H52100H000	09-1-7		21134H13010H000	14-1-2	21654H13031H000	04-24
12640H12000H000	06-1	13254H50200H000	09-1-6		21135H13010H000	14-1-2-5	21655H13001H000	04-25
12643H12000H000	06-7	13267H52120H000	09-1-2	21221H13010H000	14-1-1	21656H12000H000	17-1-3	
12649H12000H000	06-1-4	13279H50200H000	09-1-3	21301H13020H000	14-1	21656H12010H000	17-1-8	
12710H12050H000	07-11	13370H50200H000	09-1-4	21337H13010H000	14-1-2-1	21711H12000H000	08-16	
12728H12000H000	11-4	13383H51020H000	09-1-8	21344H13010H000	14-2	22130H13020H000	14-8-1	
12735H12000H000	06-5	13700H51001H000	10-1	21345H13010H000	14-3	23120H13020H000	14-18	
12741H12000H000	08-2	13723H50000H000	10-1-1	21347H13010H000	14-9	23170H13000H000	14-19	
12741H52100H000	18-1-7	13724H50000H000	10-1-4	21348H13010H000	14-6	23260H13000H000	14-20	
12760H12000H000	08-1	13725H50000H000	10-1-8	21349H13010H000	14-7	23267H12010H000	13-5	
12770H13000H000	07-12	13741H50000H000	10-1-7	21410H13010H000	14-8-3	24102H51300H000	15-1	
12771H12000H000	08-4	13742H50000H000	10-1-6	21421H35000H000	14-8-3-7	24103H51300H000	15-2	
12810H12000H000	08-9	13780H50000H000	10-1-2	21441H13020H000	14-8-3-2	24121H13000H000	15-1-1	
12812H12000H000	08-8	13810H50000H000	10-1-3	21451H13010H000	14-8-3-3	24129H12000H000	15-2-13	
12830H12000H000	08-7	13851H13010H000	14-11	21462H13010H000	14-8-3-6	24131H51300H000	15-2-1	

5

PART NO.	FIG. NO. – REF. NO.	PART NO.	FIG. NO. – REF. NO.	PART NO.	FIG. NO. – REF. NO.	PART NO.	FIG. NO. – REF. NO.
24148H12000H000	15-1-5	25520H13000H000	16-4-2	32102H12070H000	19-1-1	35612H51031H000	24-1-1
24149H12000H000	15-1-6	25600H12010H000	16-6	32113H35000H000	19-2	35632H51031H000	24-2-1
24149H12010H000	17-1-4	26210H13020H000	17-1	32114H12000H000	19-4	35652H51070H000	24-4-1
24149H12020H000	17-1-11	26211H12000H000	17-1-1	32115H12000H000	19-5	35653H51070H000	24-4-2
24149H13000H000	14-1-1-4	26225H12000H000	17-1-10	32116H12020H000	19-6	35663H51000H000	24-4-4
24149H13010H000	14-1-1-5	26226H12000H000	16-4-2-1	32800H51001H000	21-2	35671H51000H000	31-2-1
24149H13020H000	14-1-2-3	26226H12000H000	17-1-9	32900H50020H000	21-4	35681H51000H000	31-1-1
24153H12000H000	15-2-6	26234H12000H000	17-1-5	32941H51000H000	21-5	35710H51010H000	25-1
24156H12000H000	15-2-9	26235H12000H000	17-1-7	32941H51000H000	36-8	35712H51010H000	25-1-1
24158H12000H000	15-2-11	26241H13000H000	17-1-2	33410H50020H000	21-6	35721H51000H000	25-7
24159H12000H000	15-2-12	26282H13000H000	17-1-6	33510H50000H000	21-6-1	35927H51000H000	36-5
24221H12000H000	15-1-2	26300H12010H000	17-3	33541H50000H000	21-6-2	35950H51001H000	23-4
24231H12000H000	15-1-3	27511H12000H000	15-4	33542H50000H000	21-6-3	35960H51001H000	23-5
24232H12000H000	15-2-7	27512H12000H000	15-5	33611H51021H000	20-1	35970H51000H000	25-9
24232H12010H000	15-2-8	27600H52100H100	15-7	33651H51000H000	20-3	36610H51010H000	26-1
24241H13000H000	15-1-4	27750H12010H000	06-3	33652-08410-000	34-12	36611H51000H000	27-10
24311H12000H000	15-2-2	27750H12020H000	06-4	33652H51001H000	20-4	36620H51001H000	22-1-9
24321H12000H000	15-2-3			33680H51001H000	20-2	37019H51001H000	26-15
24331H12000H000	15-2-4			33690H51010H000	38-5	37100H51001H000	26-6
24341H12000H000	15-2-5			33810H12020H000	18-1-8	37155H51301H000	26-7
25211H12000H000	16-1-1			34100H51001H000	22-1	37310H51010H000	35-14
25212H12000H000	16-1-2			34111H51001H000	22-1-3	37340-20E00-000	35-13
25213H12000H000	16-1-3	30000		34112H51000H000	22-1-1	37420H51000H000	35-10
25310H12020H000	16-1			34113H51000H000	22-1-2	37510-37G00-000	35-11
25311H12000H000	16-1-4			34383-09400-000	22-1-4	37520H51010H000	35-12
25312H12010H000	16-1-9	31100H12021H000	18-1	34810H51002H000	30-9	37720H12020H000	16-8
25329H12000H000	16-1-5	31133H52100H000	18-1-3-1	34910H51000H000	22-5	37730H12000H000	16-9
25334H12000H000	16-1-7	31135H52100H000	18-1-3-2	35100H51011H000	23-1	37740H50202H000	26-9
25335H12000H000	16-1-8	31150H52100H000	18-1-3	35121H51011H000	23-1-5	37741H50200H000	26-16
25339H12010H000	16-3	31156H52100H000	18-1-4	35171H51010H000	23-1-2	38500H51011H000	26-11
25350H12020H000	16-2	31158H52100H000	18-1-5	35190H51010H000	23-1-1	38590H51000H000	26-12
25357H12000H000	16-12	31160H56000H000	18-1-2	35194H51000H000	23-2	38610-45F00-000	24-9
25381H12000H000	16-1-6	31800H50000H000	21-1	35601H51031H000	24-1		
25500H13000H000	16-4	32100H12070H000	19-1	35602H51031H000	24-2		
25510H13000H000	16-4-1	32101H12070H000	19-1-2	35603H51070H000	24-4		

PART NO.	FIG. NO. – REF. NO.	PART NO.	FIG. NO. – REF. NO.	PART NO.	FIG. NO. – REF. NO.	PART NO.	FIG. NO. – REF. NO.	
40000		44110H51000H000	30-2	47371H51000H504	32-3	51082H51030HF15	31-3	
		44200H51020H000	30-1	47371H51000H607	32-3	51103H51000H000	40-2	
		44256H12901H000	27-9	47371H51000H815	32-3	51104H51000H000	40-3	
		44281H32800H000	36-10	48011H51060HF10	31-2	51117H50000H000	40-2-5	
		44360H50000H000	30-7	48011H51060HF11	31-2	51117H50000H000	40-3-5	
41100H51Y01H000	27-1	44410H51001H000	30-5	48011H51060HF12	31-2	51153H50000H000	40-2-1	
42100H51011H000	28-1	44411H51000H000	30-6	48011H51060HF13	31-2	51153H50000H000	40-3-1	
42112H51000H000	28-6	44420H51012H000	30-4	48011H51060HF14	31-2	51156H50000H000	40-2-2	
42181H50002H000	28-2	45100H51001H000	39-4	48011H51060HF15	31-2	51156H50000H000	40-3-2	
42211H51000H000	28-3	45149-45F00-000	39-4-2	48012H51040HF10	31-1	51173H50000H000	40-2-3	
42310H51000H000	28-8	45149H51000H000	39-12	48012H51040HF11	31-1	51173H50000H000	40-3-3	
42551H50000H000	28-10	45160H51000H000	39-4-1	48012H51040HF12	31-1	51351H50000H000	40-2-4	
43110H51010H000	28-12	45216H51000H000	39-6	48012H51040HF13	31-1	51351H50000H000	40-3-4	
43142H11200H000	28-7	45261H51000H000	39-5	48012H51040HF14	31-1	51410H51000H000	40-1	
43310H51000H000	44-6	45280H51000H000	39-11	48012H51040HF15	31-1	51611H50000H000	27-1-1	
43510H51040H000	29-1	45700-09GA0-000	39-10	48013H51000H000	31-9	51611H50000H000	40-11	
43551H51020H000	29-2	46310H51000H000	45-1	48112H51001H000	31-8	51612H50000H000	27-1-2	
43600H51011H000	29-7	46320H51000H000	45-3	48122H51001H000	31-7	51612H50000H000	40-8	
43610H51000H000	29-7-2	47012H51040HF10	32-1	48135H51000H000	31-14	51621H50000H000	40-10	
43612H50000H000	29-7-3	47012H51040HF11	32-1	48135H51000H000	32-10	51622H50000H000	40-9	
43612H50000H000	29-12-3	47012H51040HF12	32-1	48135H51000H000	45-5	51625H50000H000	40-6	
43621H51000H000	29-7-1	47012H51040HF13	32-1	48140H51000H000	31-11	51626H50000H000	40-7	
43631H50000H000	29-7-4	47012H51040HF14	32-1			51630H50001H000	40-14	
43631H50000H000	29-12-4	47012H51040HF15	32-1			51650H50000H000	40-13	
43640H50001H000	29-8	47022H51040HF10	32-2			51660H50000H000	40-12	
43641H22500H000	29-7-5	47022H51040HF11	32-2			51875H51000H000	31-5	
43641H22500H000	29-12-5	47022H51040HF12	32-2			53111H51000H108	33-1	
43643H50000H000	29-7-10	47022H51040HF13	32-2	50000		53111H51000H117	33-1	
43643H50000H000	29-12-10	47022H51040HF14	32-2			53111H51000H405	33-1	
43644H50000H000	29-7-11	47022H51040HF15	32-2			53111H51000H504	33-1	
43644H50000H000	29-12-11	47153H51000H000	32-4		51082H51030HF10	31-3	53111H51000H607	33-1
43700H51011H000	29-12	47341H51000H000	27-6		51082H51030HF11	31-3	53111H51000H815	33-1
43710H51000H000	29-12-2	47371H51000H108	32-3	51082H51030HF12	31-3	53211H51000H000	33-2	
43721H51000H000	29-12-1	47371H51000H117	32-3	51082H51030HF13	31-3	54110H51000H000	41-1	
43750H51000H000	29-13	47371H51000H405	32-3	51082H51030HF14	31-3	54200H50000H000	41-12	

5

PART NO.	FIG. NO. – REF. NO.	PART NO.	FIG. NO. – REF. NO.	PART NO.	FIG. NO. – REF. NO.
54400H33Y00H000	41-10	57300H52111H000	35-1	64651H51000H000	44-34
54400H33Y00H000	44-24	57311H52101H000	35-1-1	64653-36H00-000	44-35
54441H50000H000	41-13	57421-09G00-000	35-1-2	64711H50000H000	44-29
54441H50000H000	44-16	57431-09GA0-000	35-1-3	64731-36H00-000	44-33
54443-36H00-000	41-11	58100H51001H000	34-7	64733H50000H000	44-14
54443-36H00-000	44-22	58300H51020H000	34-10	65100H50030H000	44-36
54451H50002H000	41-14	58410H51000H000	34-11	65200H50000H000	44-7
54453H50000H000	41-15	58621H51000H000	33-6	68163H51000H000	32-15
54492H50000H000	41-18	58721H51000H000	35-6	68165H51000H000	32-14
54610H50000H000	41-12-1	58722H51000H000	35-5	68166H51000H000	32-16
54614H11200H000	41-12-3			68167H51000H000	32-17
54621H50001H000	41-12-4			68170H79000HMT1	37-7
54640H50000H000	41-12-2	60000		68170H79000HSIL	37-7
54711H50000H000	41-8			68311H50010H000	27-11
54731H50200H000	41-4			68319H51030H000	38-1
54742-36H00-000	41-3	61000H51200H000	42-1	68332H51010H000	38-3
55100H50030H000	41-5	61200H50000H000	42-1-1	68389-45F00-000	27-12
55200H50000H000	41-6	61211H51001H000	42-3	68391H05700H000	38-2
55421-36H00-000	41-10-1	61273H51000H000	42-2	68711H50000H000	40-4
55421-36H00-000	44-24-1	61310H51300H000	43-6		
56110H51000H000	34-1	61320H51200H000	43-7		
56311H51000H108	37-1	61324H51000H000	43-8	90000	
56311H51000H117	37-1	61410H51000H000	44-17		
56311H51000H405	37-1	61421H51000H000	44-26		
56311H51000H504	37-1	62100H51001H000	43-1		
56311H51000H607	37-1	63111H51001H000	36-1	92116H51000H000	27-7
56311H51000H815	37-1	64150H36H00H000	44-31	94839-12FP0-000	20-5
56312H51000H000	37-3	64210H50000H000	44-23	95700H51000H000	39-1
56321H51000H000	37-2	64310H50000H000	42-5	95711H51000H000	39-2
56421H50000H000	34-3	64341H50000H000	42-9	95721H51000H000	39-3
56500H51000H000	34-5	64451H50001H000	44-18	99011H51230H000	38-4
56600H51000H000	34-6	64492H50000H000	44-19		
57100H51000H000	35-2	64511H56000H000	44-12		
57110H51010H000	35-3	64611H51001H000	44-8		
57211H51000H000	35-4	64612H50000H000	44-10		

HAOJUE HJ110-2 PARTS CATALOGUE

1st Edition

Published in 2016.7

DACHANGJIANG GROUP CO.,LTD.

No.5, Jiandabei Rd., Jiangmen City, Guangdong Province, P.R.China

Tel: 86-750-3288999 Fax: 86-750-3230989 Code: 529000

DACHANGJIANG GROUP COPYRIGHT POSSESSION.

DACHANGJIANG GROUP CO. , LTD.