

Haojue

PARTS CATALOGUE

EG125

PREFACE

This catalogue lists the spare parts used for the following model. Please do refer to the parts catalogue and indicate the parts number and the name listed in this catalogue correctly when you need to replace the spare parts.

Design Code	Factory Reference No. (Abbr. form in the catalogue)	Engine Reference No.	Engine Cad No.
EG125	KF1133D92N-XXE05	EG33D70-E05	10091H33108H000

一、 How to place an order for spare parts?

1. Required document:

The number must be provided as follow when order the spare parts:

- (a) The Engine parts: parts number and the Engine number
- (b) The Body parts: parts number and the Frame number

2. Revision

The Revised Version would be published at a suitable time when the parts Catalogue needed to be revised or renewed. In this case, the edition number would be marked on the cover. The parts would have some difference because our products are improved continuously and the modified parts no. will not be informed before the new edition published.

二、 How to use the parts catalogue?

1. Size

The unit of the parts' size indicated in the catalogue is 'mm', for example:

Parts name	Description
Bolt 6×12	Diameter 6mm, Length 12mm

0 Ring D: 3.0, ID: 29.5	Section diameter 3mm, inner diameter 29.5mm
Bearing 35×72×17	Inner diameter 35mm, Outer diameter 72mm, Thickness 17mm

2. Abbr.

The meaning of the Abbreviations in the catalogue are as the followings:

D: Section diameter NT: Number of Teeth L: Length ID: Inner diameter W: Width

OPT: Optional T: Thickness OD: Outer diameter OS: Over size

STD: Standard US: Under size LH: Left hand side RH: Right hand side

3. Assy and the inner parts

The part number with a hyphen '-' in the front means this part could be supplied with the Assy (or the comp.), also could be supplied separately.

For example:

Item 1 CYLINDER HEAD ASSY

Item1-1 PIN,CAMSHAFT COVER

That means Item1-1 can be supplied with Item 1 and aslo can be supplied separately.

4. The illustrations in the catalogue are just for the purpose to distinguish the parts. There might be some discrepancies between the illustrations and the real parts.. Furthermore, the illustrations can not be used for the assembling purpose. When assembling, pls use the Service Manual of the relative models.

5. The instruction for the color parts

The catalogue lists are being supervised by color code.

For example: Assy,Fuel Tank 44100H22000HF01 F01 is the colour code and means "RED".

When place an order for the color parts, please use the correct parts number (with the color code), based on the compound color sheet of the models.

This catalogue is edited according to the datas before 2016-7-1. The modification after that time should refer to the latest SPS(Spare Parts Modification notice).

EG125 COLOR TABLE KF1133D92N-XXE05 3 COLOR STYLES

REF. NO.	DESCRIPTION	PART NO.	a01 RED	a03 BLACK	a05 BLUE	REMARKS
1	FUEL TANK SET	44011H11AG0H000	F01	F03	F04	
2	TAPE SET, FUEL TANK	68110H11A10H000	SB3	SB5	SM7	NOT SUPPLY
3	TAPE, Haojue LOGO	68170H11A10H000	SIL	SIL	SIL	NOT SUPPLY
4	COVER, FRAME, L	47211H11A00H000	A39	A28	A30	
5	TAPE SET, FRAME COVER STRIPE, L	68140H11A10H000	SB3	SB5	SM7	
6	COVER, FRAME, R	47111H11A00H000	A39	A28	A30	
7	TAPE SET, FRAME COVER STRIPE, R	68130H11A10H000	SB3	SB5	SM7	
8	TAPE, FRAME COVER	68135H11A10H000	SIL	SIL	SIL	
9	COVER, SEAT TAIL, L	45512H11A01H000	A39	A28	A30	
10	COVER, SEAT TAIL, CTR	45513H11A00H000	104	541	608	
11	COVER, SEAT TAIL, R	45511H11A01H000	A39	A28	A30	
12	COWLING SET	94041H11A30H000	A39	A28	A30	

INFORMATION ILLUSTRATION INDEX

1

ENGINE & TRANSMISSION

2

ELECTRICAL

3

BODY

4

PARTS NUMBER INDEX

5

Fig. 1 CYLINDER HEAD&CYLINDER HEAD COVER (P06-S010-0015)

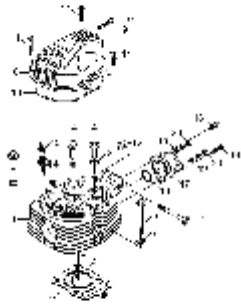


Fig. 2 CYLINDER (P06-S020-0004)

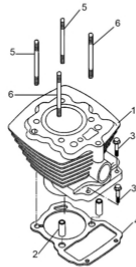


Fig. 3 CRANKCASE (P06-S030-0007)

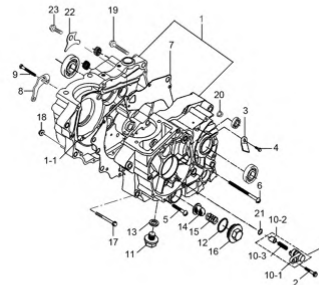


Fig. 4 CRANKCASE COVER (P06-S040-0010)

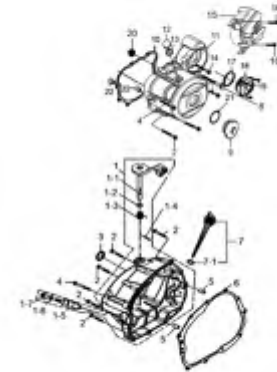


Fig. 5 CRANKSHAFT (P06-S050-0005)



Fig. 6 STARTER CLUTCH (P06-S060-0002)

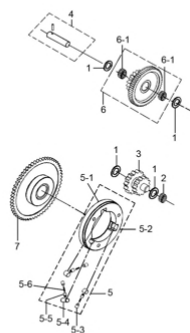


Fig. 7 CAMSHAFT-VALVE (P06-S070-0007)

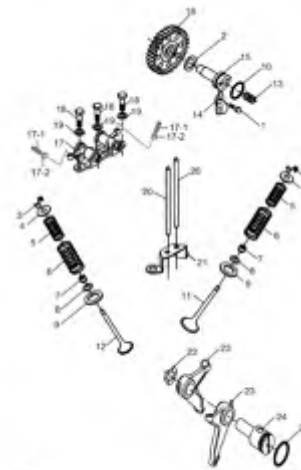


Fig. 8 CARBURETOR (P06-S090-0015)

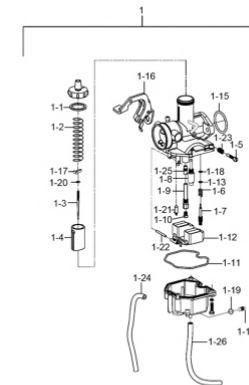


Fig. 9 AIR CLEANER (P06-S100-0007)

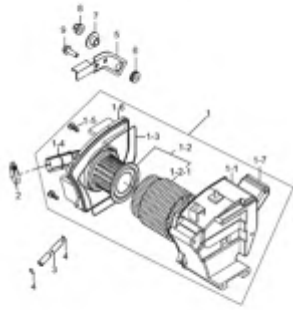


Fig. 10 MUFFLER (P06-S110-0010)

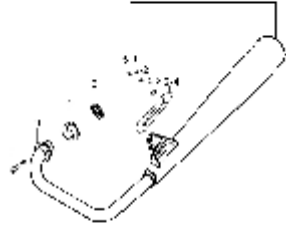


Fig. 11 2ND AIR VAVLE (P06-S120-0010)

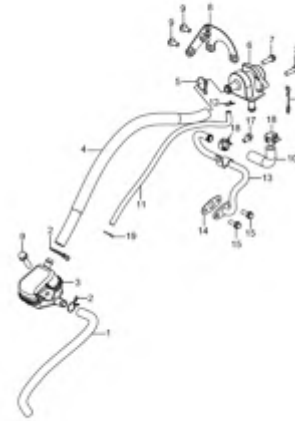


Fig. 12 OIL PUMP (P06-S130-0002)

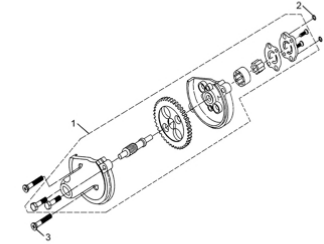


Fig. 13 CLUTCH (P06-S140-0006)

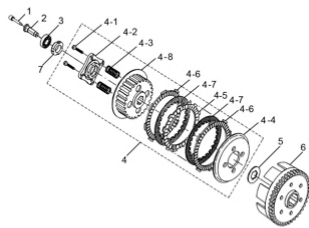


Fig. 14 TRANSMISSION (P06-S150-0005)

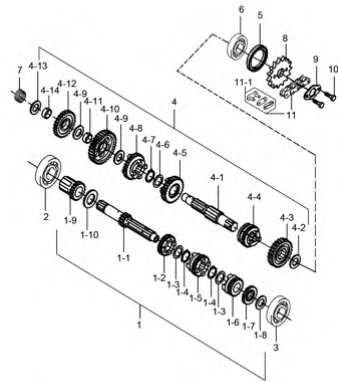


Fig. 15 GEAR SHIFTING (P06-S160-0009)

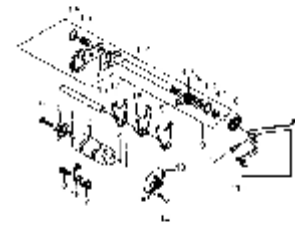


Fig. 16 KICK STARTER (P06-S165-0004)

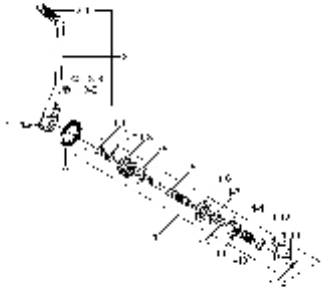


Fig. 17 STARTING MOTOR (P06-S170-0002)



Fig. 18 MAGNETO (P06-S180-0006)

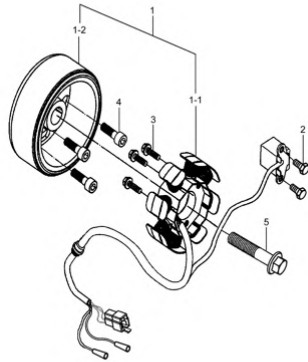


Fig. 19 BATTERY (P06-S190-0010)

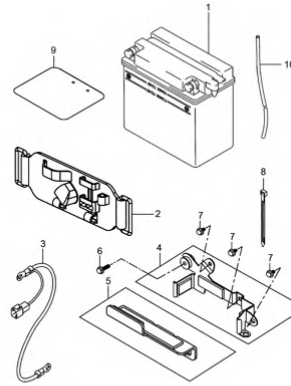


Fig. 20 ELECTRICAL (P06-S200-0011)

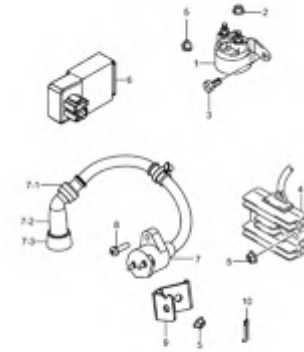


Fig. 21 SPEEDOMETER (P06-S210-0013)

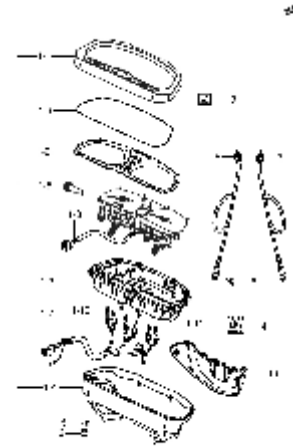


Fig. 22 HEADLAMP (P06-S220-0010)

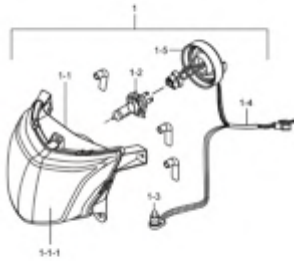


Fig. 23 TURN SIGNAL LAMP (P06-S230-0009)

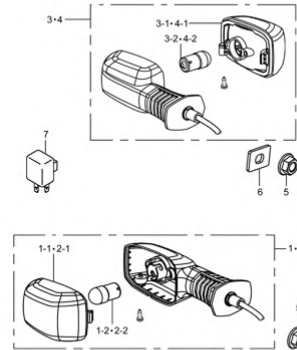
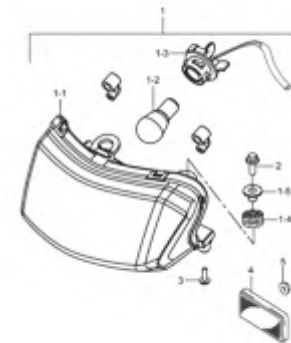


Fig. 24 REAR COMBINATION LAMP (P06-S240-0009)



1

Fig. 25 WIRING HARNESS (P06-S250-0015)



Fig. 26 FRAME (P06-S260-0028)

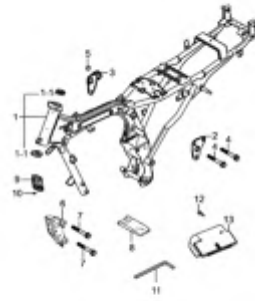


Fig. 27 STAND (P06-S270-0010)



Fig. 28 FOOTREST (P06-S280-0022)

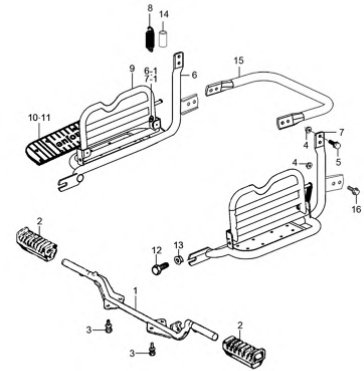


Fig. 29 FUEL TANK (P06-S290-0025)

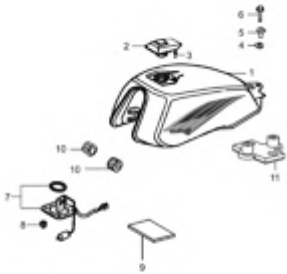


Fig. 30 FUEL COCK (P06-S300-0010)

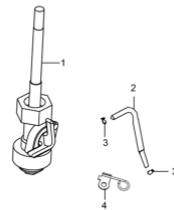


Fig. 31 FRAME COVER (P06-S310-0026)

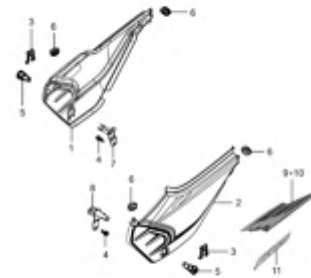


Fig. 32 FRONT FENDER (P06-S320-0008)

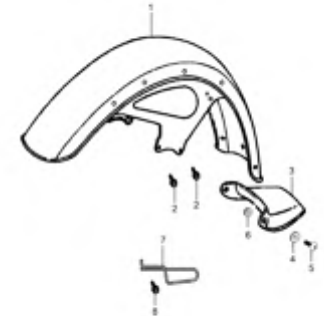


Fig. 33 HANDLEBAR (P06-S330-0018)

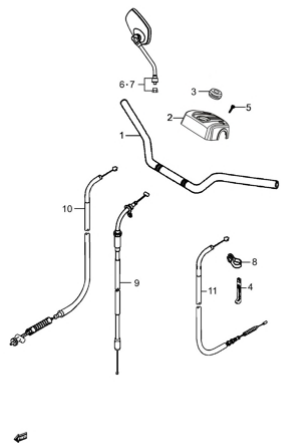


Fig. 34 HANDLE SWITCH (P06-S340-0013)

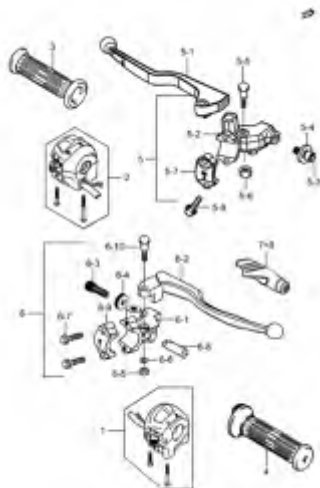


Fig. 35 REAR FENDER (P06-S350-0006)

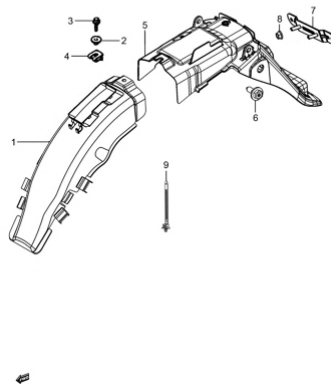


Fig. 36 COWLING (P06-S360-0005)

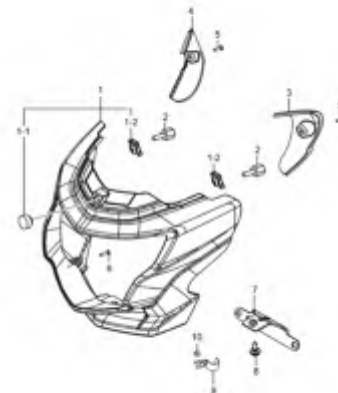


Fig. 37 LABEL (P06-S370-0018)

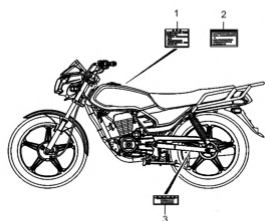


Fig. 38 SEAT (P06-S380-0004)



Fig. 39 COVER, SEAT TAIL (P06-S390-0014)

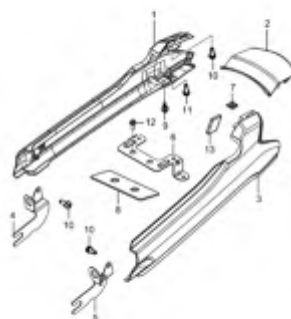


Fig. 40 STEERING STEM (P06-S400-0018)

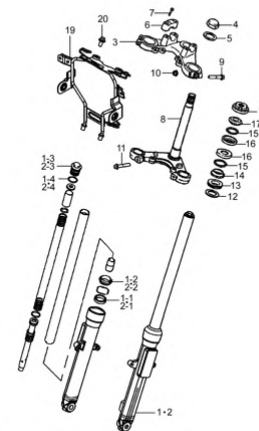


Fig. 41 FRONT WHEEL (P06-S410-0026)

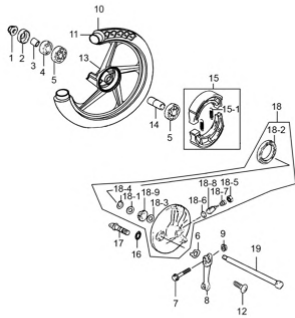


Fig. 42 REAR SWINGING ARM (P06-S440-0025)

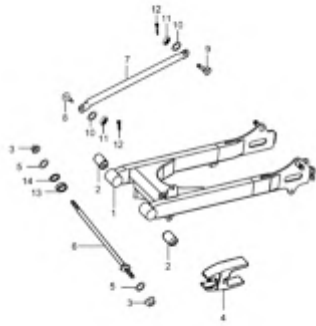


Fig. 43 REARSHOCK ABSORBER (P06-S450-0012)

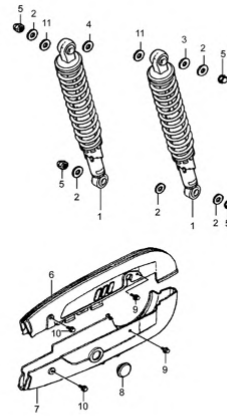


Fig. 44 REAR WHEEL (P06-S460-0035)

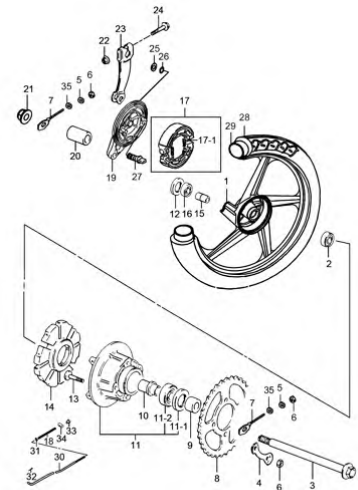


Fig. 45 BUMPER COMP (P06-S470-0004)



Fig. 46 CARRIER (P06-S480-0010)

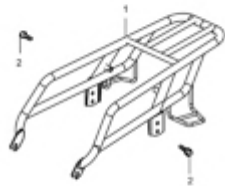


Fig.1

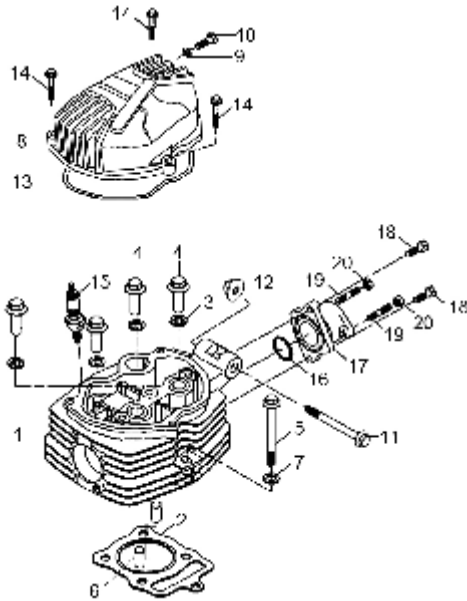


Fig.1 CYLINDER HEAD&CYLINDER HEAD COVER (P06-S010-0015)

REF. No.	PART No.	DESCRIPTION	Q'TY	REMARKS
1	11110H330P0H000	HEAD COMP, CYLINDER	1	
2	11141H33000H000	GASKET, CYLINDER HEAD	1	
3	09160H12004H000	WASHER	4	
4	11151H33001H000	NUT, CYLINDER HEAD	4	
5	09103H08009H000	BOLT	1	
6	09206H10008H000	PIN	2	
7	09168-08032-000	GASKET, CYLINDER HEAD NUT	1	
8	11171H33080H000	COVER, CYLINDER HEAD	1	
9	09168-06018-000	GASKET	1	
10	01547-0612A-000	HEXAGON BOLT WITH FLANGE	1	
11	41919-45F00-000	BOLT, ENG MTG LOWER	1	
12	08319-3108A-000	NUT	1	
13	11181H33001H000	GASKET, CYLINDER HEAD COVER	1	
14	01550-0628A-000	BOLT, HEXAGON HEAD FLANGE	3	
15	09482H33000H000	SPARK PLUG	1	
16	09280H34002H000	O-RING	1	
17	13111H33030H000	PIPE, INTAKE	1	
18	01547-0620A-000	BOLT	2	
19	01421-0616A-000	BOLT, STUD	2	
20	08310-0006A-000	NUT	2	

2



Fig. 2

2

Fig.2 CYLINDER (P06-S020-0004)

REF. No.	PART No.	DESCRIPTION	Q' TY	REMARKS
1	11210H33041H0B0	CYLINDER COMP	1	
2	09206H10007H000	PIN, KNOCK	2	
3	01547-0622A-000	BOLTS, HEXAGON HEAD FLANGE	2	
4	11241H33000H000	GASKET, CYLINDER	1	
5	09108H08013H000	BOLT, STUD	2	
6	09108H08012H000	BOLT, STUD	2	

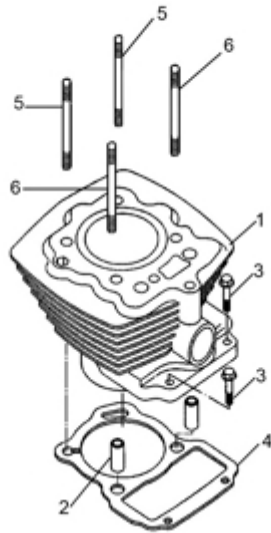


Fig. 3

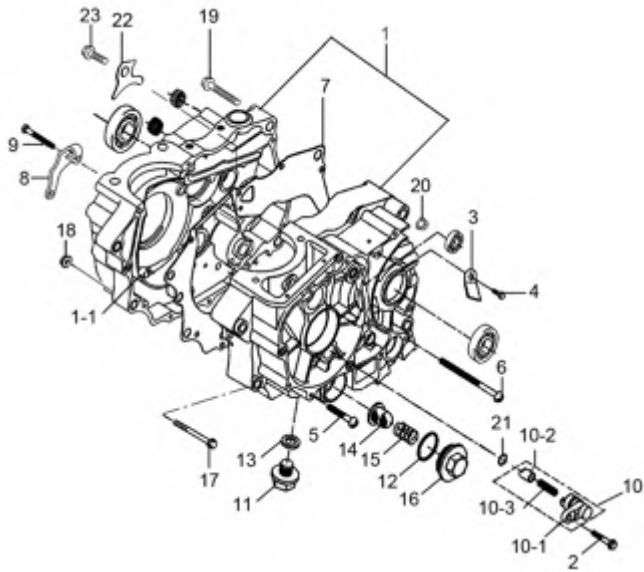


Fig.3 CRANKCASE (P06-S030-0007)

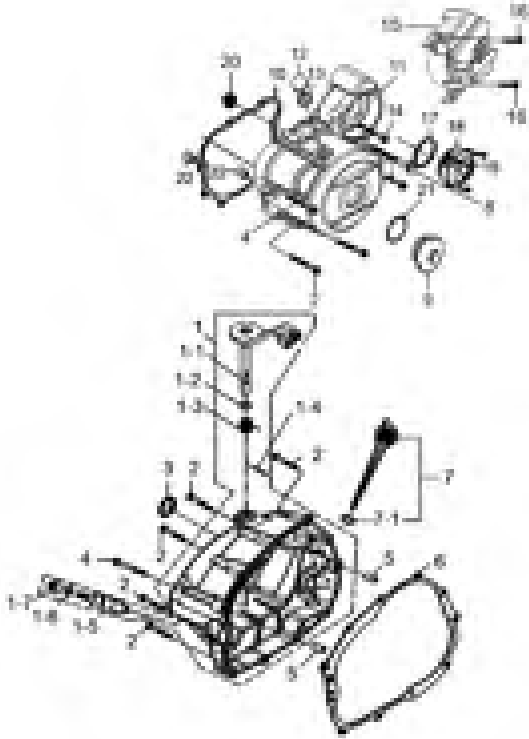
REF. No.	PART No.	DESCRIPTION	Q'TY	REMARKS
1	11301H33Y31H000	CRANKCASE	1	
1-1	09206H10007H000	PIN, KNOCK	2	
2	01547-0625A-000	BOLT	1	
3	11411H33000H000	PLATE	1	
4	01547-0612A-000	HEXAGON BOLT WITH FLANGE	1	
5	02112-0650A-000	CROSS RECESSED HEAD SCREW	9	
6	02112-0695A-000	CROSS RECESSED HEAD SCREW	1	
7	11481H33000H000	GASKET, CRANKCASE	1	
8	11421H33B00H000	BRACKET, CLUTCH CABLE	1	
9	01547-0655A-000	HEXAGON BOLT WITH FLANGE	1	
10	11430H33000H000	HANDSPIKE	1	
10-1	11431H33001H000	BRACKET, BRG PUSH PIN	1	
10-2	11432H33000H000	SEAL	1	
10-3	11433H33000H000	SPRING	1	
11	09247H12105H000	PLUG	1	
12	09280H35001H000	O-RING	1	
13	09168-12002-000	GASKET, TDC PLUG	1	
14	16520H21D00H000	STRAINER, ENGINE OIL	1	
15	16541H33000H000	SPRING	1	
16	16542H33000H000	COVER, ENGINE OIL FILTER	1	
17	09103H08015H000	BOLT, HEXAGON	2	
18	08319-3108A-000	NUT	2	
19	09103H10003H000	BOLT, HEXAGON	2	
20	08319-3110A-000	NUT	2	
21	09280H13002H000	O RING	1	
22	24741H33000H000	RETAINER, CNTR SHAFT BEARING	1	
23	01547-0614A-000	BOLTS, HEXAGON HEAD FLANGE	1	

2

Fig. 4

Fig.4 CRANKCASE COVER (P06-S040-0010)

REF. No.	PART No.	DESCRIPTION	Q' TY	REMARKS
1	11342H33Y70H000	COVER OF CLUTCH ASSY	1	
1-1	23270H33B00H000	SHAFT COMP, CLUTCH RELEASE	1	
1-2	09280H09009H000	O RING	2	
1-3	23281H33010H000	SPRING, DETACH ROD	1	
1-4	09205H03001H000	PIN, SPRING	1	
1-5	26431H33000H000	GEAR, TACHOMETER DRIVEN	1	
1-6	09181H06001H000	GASKET	1	
1-7	09283H07001H000	OIL SEAL	1	
2	01547-0640A-000	BOLTS, HEXAGON HEAD FLANGE	15	
3	09283H16001H000	OIL SEAL	1	
4	01547-0650A-000	BOLTS, HEXAGON HEAD FLANGE	3	
5	09206H08004H000	PIN, KNOCK	2	
6	11482H33000H000	GASKET	1	
7	09259H99002H000	GAUGE SET, OIL LEVEL	1	
7-1	09280H18002H000	O RING	1	
8	01547-0660A-000	BOLT	1	
9	09259-26016-000	PLUG, CSHAFT HOLE	1	
10	11483H33000H000	GASKET	1	
11	11351H33032H000	COVER, MAGNETO	1	
12	09247-12104-000	PLUG, TDC	1	
13	09168-12002-000	GASKET, TDC PLUG	1	
14	01547-0625A-000	BOLT	1	
15	11361H33070H000	COVER, ENG SPROCKET	1	
16	01547-0628A-000	BOLTS, HEXAGON HEAD FLANGE	2	
17	09280H62001H000	O RING	1	
18	11441H33030H000	COVER, GEAR CASE	1	
19	01547-0616A-000	BOLT	3	
20	09263H10001H000	BEARING, NEEDLE	1	
21	09280-22008-000	O-RING	1	

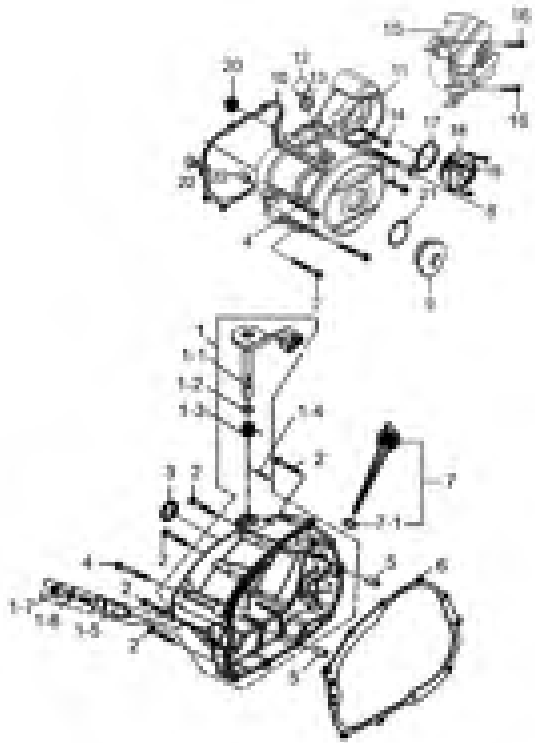


2

Fig. 4

Fig.4 CRANKCASE COVER (P06-S040-0010)

REF. No.	PART No.	DESCRIPTION	Q' TY	REMARKS
22	09206H10007H000	PIN, KNOCK	2	



2

Fig. 5

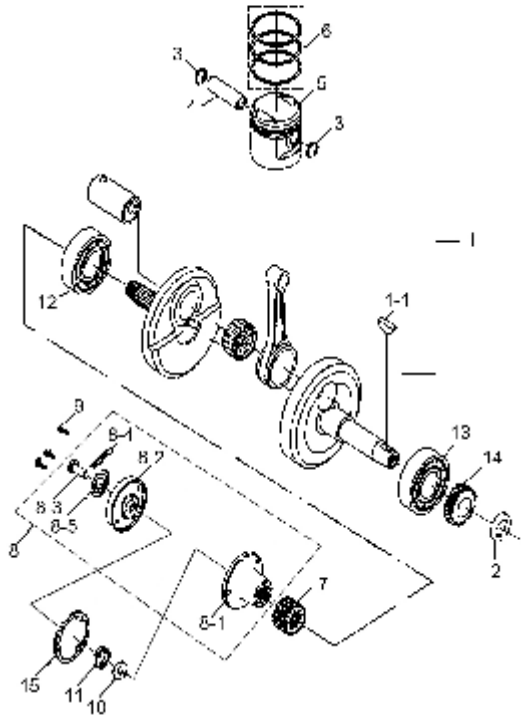


Fig.5 CRANKSHAFT (P06-S050-0005)

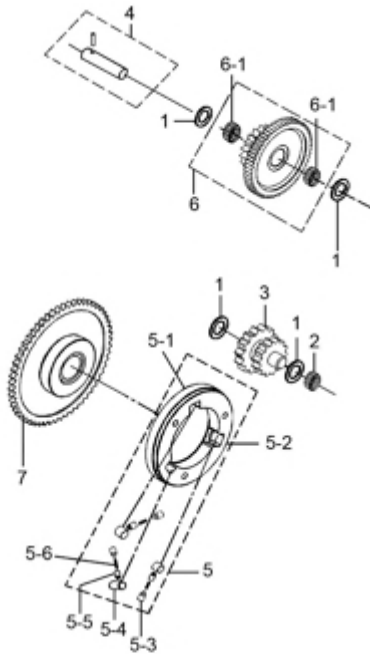
REF. No.	PART No.	DESCRIPTION	Q' TY	REMARKS
1	12021H33040H000	CRANKSHAFT SET	1	
1-1	09420H04002H000	KEY	1	
2	09283H34001H000	OIL SEAL	1	
3	09381-14001-000	CIRCLIP	2	
4	12151H3E000H000	PIN, PISTON	1	
5	12111H33022H0B0	PISTON	1	
6	12140H33060H000	RING SET, PISTON	1	
7	21111H33000H000	GEAR, PRIMARY DRIVE	1	
8	16052H33040H000	FILTER SET, ENGINE	1	
8-1	16511H33040H000	BODY, ENGINE OIL FILTER	1	
8-2	16561H33000H000	GASKET, ROTOR COVER	1	
8-3	16521H33040H000	COVER, ENGINE OIL FILTER	1	
8-4	16531H33040H000	TUBE, OIL PASSING	1	
8-5	16551H33040H000	PIN, COTTER	1	
8-6	16532H33040H000	SPRING, OIL PASSING TUBE	1	
9	02122-0512A-000	CROSS RECESSED HEAD SCREW	3	
10	16581H33000H000	WASHER	1	
11	16571H33000H000	NUT	1	
12	09262H28001H000	BEARING, RH	1	
13	09262H28002H000	BEARING, LH	1	
14	12751H33000H0B0	TIMING-GEAR	1	
15	16561H33000H000	GASKET, ROTOR COVER	1	

2

Fig. 6

Fig.6 STARTER CLUTCH (P06-S060-0002)

REF. No.	PART No.	DESCRIPTION	Q'TY	REMARKS
1	09181H10190H000	WASHER	4	
2	09263H10001H000	BEARING, NEEDLE	1	
3	12651H33000H000	IDLER GEAR	1	
4	12660H33000H000	AXLE, GEAR	1	
5	12630H33010H000	HUB COMP, STARTER CLUTCH	1	
5-1	12642H33010H000	PLATE, STARTER CLUTCH HUB	1	
5-2	12631H33010H000	HUB, STARTER CLUTCH	1	
5-3	12632H33010H000	PLUG, STARTER CLUTCH HUB	3	
5-4	09261H10008H000	ROLLER	3	
5-5	12633H33010H000	PIECE, STARTER CLUTCH RLR PUSH	3	
5-6	09440H04017H000	SPRING, COMPRESSION	3	
6	12680H33000H000	STARTUP GEAR ASSY	1	
6-1	09263H10001H000	BEARING, NEEDLE	2	
7	12620H33000H000	GEAR, STARTER IDLE	1	

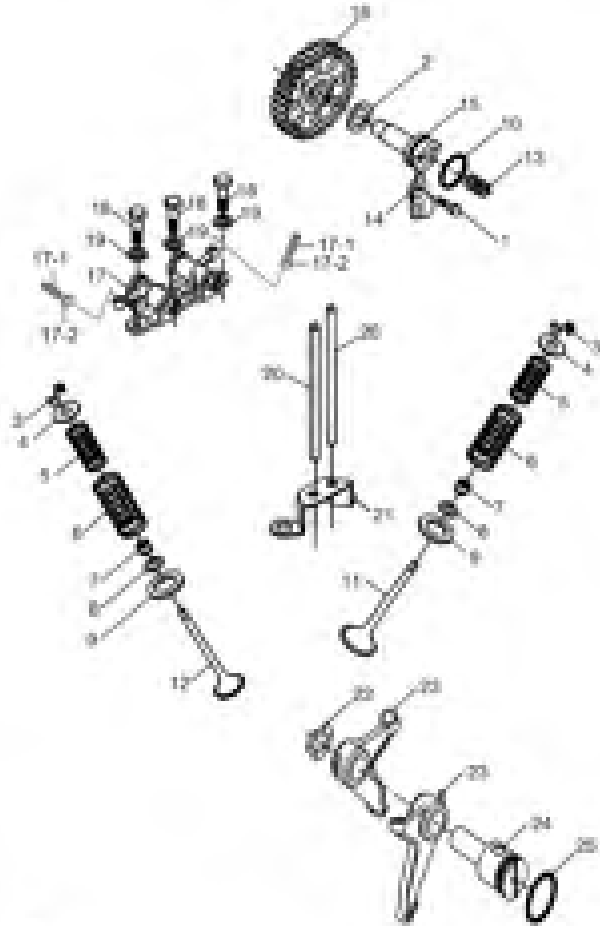


2

Fig. 7

Fig.7 CAMSHAFT-VALVE (P06-S070-0007)

2



REF. No.	PART No.	DESCRIPTION	Q' TY	REMARKS
1	01547-0612A-000	HEXAGON BOLT WITH FLANGE	1	
2	08211-14241-000	GASKET	1	
3	12932H33010H000	COTTER, VALVE	4	
4	12931H33000H000	VALVE SPRING TRAY	2	
5	12921H33000H000	VALVE INSIDE SPRING	2	
6	12922H33000H000	VALVE OUTSIDE SPRING	2	
7	09289H06001H000	OIL SEAL	2	
8	09181H12180H000	GASKET, VALVE INSIDE SPRING	2	
9	09181-19261-000	GASKET, VALVE OUTSIDE SPRING	2	
10	09280H20003H000	O RING	1	
11	12911H33000H000	VALVE, INTAKE	1	
12	12912H33000H000	VALVE, EXHAUST	1	
13	09440H13004H000	SPRING	1	
14	12741H33001H000	LIMITED LITTLE BOARD	1	
15	12731H33010H0B0	SHAFT, CAM GEAR	1	
16	12710H33030H0F0	GEAR COMP, CAM	1	
17	12840H33010H000	ARM SET VALVE ROCKER	1	
17-1	12851H33000H000	SCREW	2	
17-2	12852H33000H000	NUT	2	
18	12871H33010H000	BOLT	3	
19	09160H08005H000	GASKET	3	
20	12873H33000H000	HANDSPIKE	2	
21	11161H33000H000	PLANK, HANDSPIKE	1	
22	09164H12001H000	FLEXUOUS GASKET	1	
23	12843H33030H0A0	UNDERSIDE ROCKER	2	
24	12862H33010H0A0	SHAFT, UNDERSIDE ROCKER	1	
25	09280H17001H000	O RING	1	

Fig. 8

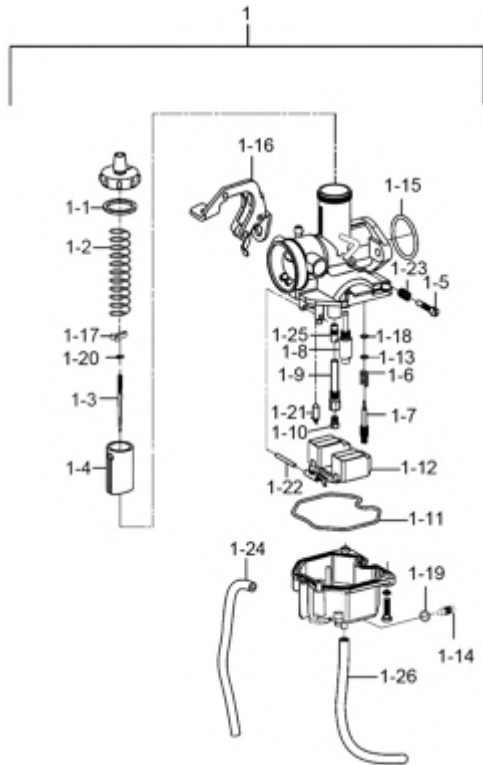


Fig.8 CARBURETOR (P06-S090-0015)

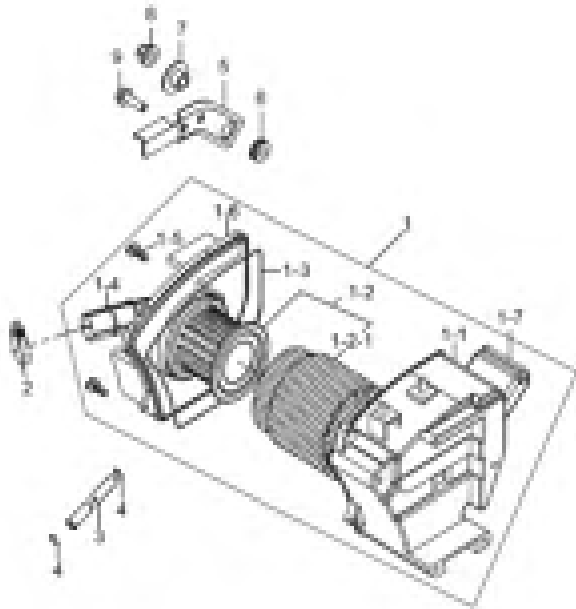
REF. No.	PART No.	DESCRIPTION	Q'TY	REMARKS
1	13200H11A40H000	CARBURETOR ASSY	1	
1-1	13255H11200H000	TOP GASKET	1	
1-2	13573H36900H000	COMPRESSION SPRING	1	
1-3	13383H11A40H000	JET NEEDLE	1	
1-4	13251H11200H000	POSTON VALVE	1	
1-5	13267H33000H000	SPRING SCREW	1	
1-6	13268H33000H000	SPRING COMPR	1	
1-7	13279H36900H000	ADJUSTER	1	
1-8	09492H35001H000	JET, PILOT	1	
1-9	13242H11210H000	NEEDLE JET HOLDER	1	
1-10	09491H20000H000	JET, MAIN	1	
1-11	13251H11A10H000	GASKET	1	
1-12	13252H33000H000	FLOAT COMP	1	
1-13	13262H11200H000	WASHER	1	
1-14	13247H33000H000	DRAIN SCREW	1	
1-15	13253H33000H000	O RING	1	
1-16	13413H11A11H000	LEVER ASSY	1	
1-17	13258H11210H000	E RING	1	
1-18	13295H21D00H000	O RING	1	
1-19	13225H11200H000	O RING	1	
1-20	13257H11200H000	COLLAR	1	
1-21	13370H21D00H000	VALVE ASSY, NEEDLE	1	
1-22	13254H21D00H000	PIN	1	
1-23	13263H11200H000	COMPRESSION SPRING	1	
1-24	13212H11200H000	AIR VENT HOSE	1	
1-25	09494H00008H000	JET, NEEDLE	1	
1-26	13223H11210H000	HOSE	1	

2

Fig. 9

Fig.9 AIR CLEANER (P06-S100-0007)

REF. No.	PART No.	DESCRIPTION	Q' TY	REMARKS
1	13700H11A10H000	CLEANER ASSY, AIR	1	
1-1	13720H11700H000	CASE COMP, AIR CLNR	1	
1-2	13780H12910H000	FILTER ASSY, AIR CLEANER	1	
1-2-1	13781H12910H000	FILTER, AIR CLEANER	1	
1-3	13722H12600H000	GASKET, AIR CLNR CAP	1	
1-4	13881H12600H000	TUBE, OUTLET	1	
1-5	09136-05040-000	SCREW, THROTTLE CASE	4	
1-6	13741H12610H000	CAP, AIR CLNR	1	
1-7	13891H12600H000	TUBE, AIR FILTER INLET	1	
2	09402-46203-000	CLAMP	1	
3	13851H12911H000	TUBE, BREATHER	1	
4	09401-15101-000	CLIP, 2ND AIR CLNR HOSE	2	
5	41291H12600H000	PLATE, AIR CLEANER	1	
6	09320-08051-000	CUSHION, MUF COVER	1	
7	09180H06207H000	BUSH	1	
8	08313-2006B-000	DOMED CAP NUT	1	
9	01550-0612A-000	BOLT	2	



2

Fig. 10

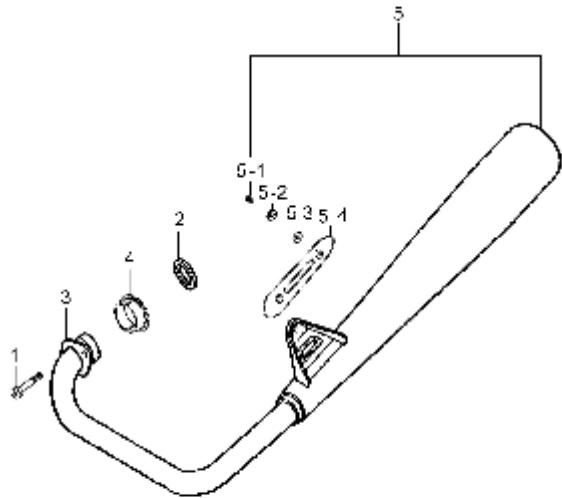


Fig.10 MUFFLER (P06-S110-0010)

REF. No.	PART No.	DESCRIPTION	Q'TY	REMARKS
1	07130-0825A-000	BOLT	2	
2	14181H11200H000	CUSHION	1	
3	14182H12900H000	FLANGE, EXHAUST PIPE	1	
4	14181H16000H000	SNAP RING, EXHAUST PIPE	2	
5	14305H11C60H000	MUFFLER COMP	1	
5-1	09139-06078-000	SCREW	2	
5-2	09160-06094-000	WASHER, PLAIN	2	
5-3	09168-06122-000	WASHER, MUF COVER INSULATOR	2	
5-4	14791H12900H000	COVER, MUF BODY	1	

2



Fig. 11

2

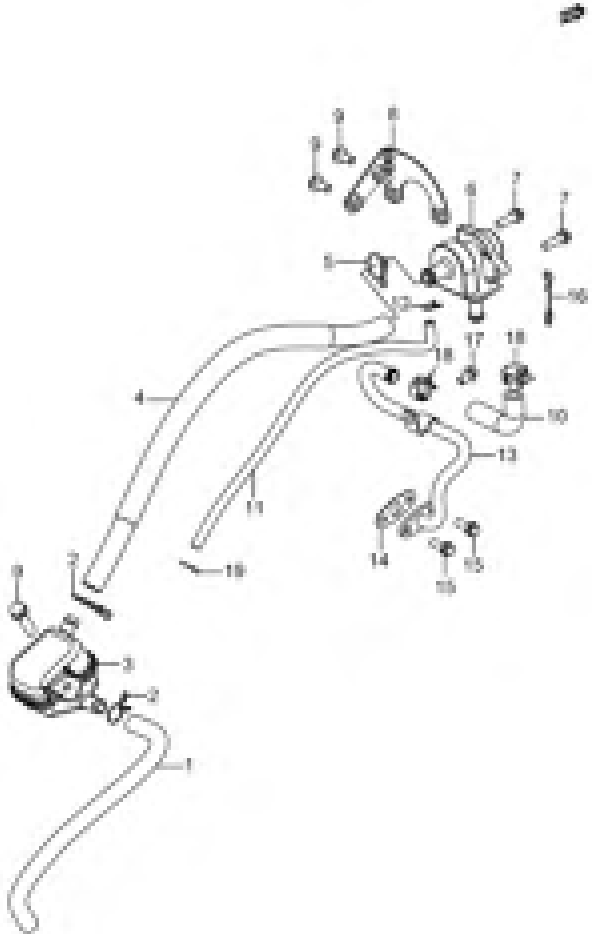


Fig.11 2ND AIR VAVLE (P06-S120-0010)

REF. No.	PART No.	DESCRIPTION	Q' TY	REMARKS
1	18711H12E20H000	HOSE, 2ND AIR CLNR	1	
2	09401-13409-000	CLIP, 2ND AIR VALVE HOSE	2	
3	18700H12E00H000	CLEANER ASSY, 2ND AIR	1	
4	18712H12E11H000	HOSE, 2ND AIR CLNR	1	
5	09401-15101-000	CLIP, 2ND AIR CLNR HOSE	1	
6	18450H26H30H000	VALVE ASSY, 2ND AIR	1	
7	01550-0620A-000	BOLTS, HEXAGON HEAD FLANGE	2	
8	18610H12E00H000	BRACKET COMP, 2ND AIR VALVE	1	
9	01550-0616A-000	BOLT	3	
10	18461H12E00H000	HOSE, 2ND AIR VALVE	1	
11	18463H2E002H000	HOSE, 2ND AIR VALVE VACUUM	1	
12	09401H07201H000	CLIP	1	
13	18410H12E10H000	PIPE COMP, 2ND AIR	1	
14	18441H50100H000	SEAL, 2ND AIR HOSE	1	
15	01547-0616A-000	BOLT	2	
16	18442-26H01-000	GUIDE, 2ND AIR VALVE HOSE	1	
17	01547-0612A-000	HEXAGON BOLT WITH FLANGE	1	
18	09401-15404-000	CLIP, FUEL HOSE	2	
19	09401-06101-000	CLIP	1	

Fig. 12

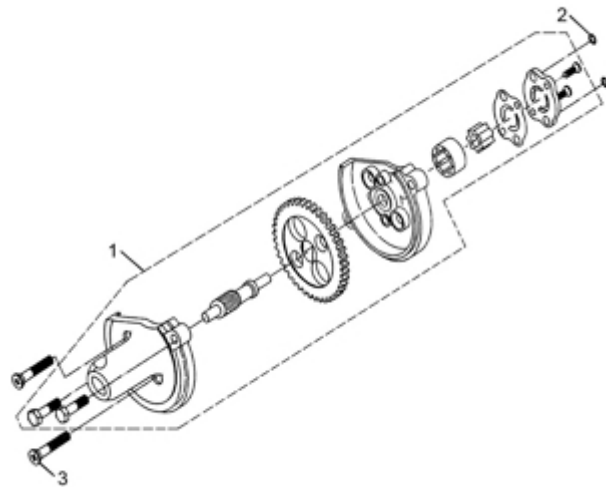


Fig.12 OIL PUMP (P06-S130-0002)

REF. No.	PART No.	DESCRIPTION	Q'TY	REMARKS
1	16400H35031H000	PUMP ASSY, ENG OIL	1	
2	09280H09008H000	O RING	2	
3	02122-0628A-000	CROSS RECESSED HEAD SCREW	2	

2



Fig. 13

2

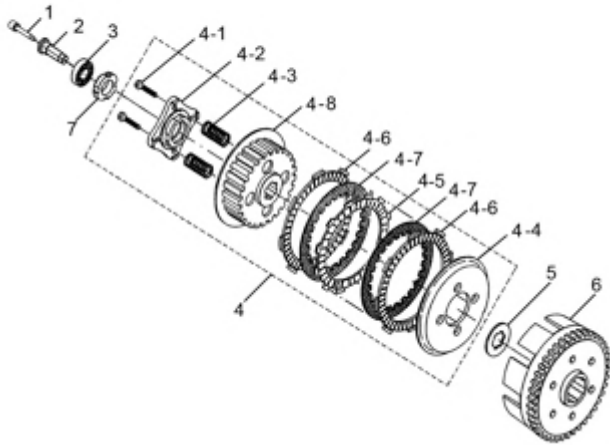


Fig.13 CLUTCH (P06-S140-0006)

REF. No.	PART No.	DESCRIPTION	Q' TY	REMARKS
1	23131H33030H000	POLE, CLUTCH PUSH	1	
2	23121H33020H000	GUIDE PIN, CLUTCH	1	
3	09262H17001H000	BEARING, CLUTCH	1	
4	21410H33070H000	HUB ASSY, CLUTCH SLEEVE	1	
4-1	01550-0625A-000	BOLT	4	
4-2	21471H33020H000	PUSH SET, CLUTCH	1	
4-3	09440H33000H000	SPRING CLUTCH	4	
4-4	21461H33000H000	HUB, DRIVEN	1	
4-5	21441H33010H000	PLATE, CLUTCH DRIVE	3	
4-6	21441H33020H000	PLATE, CLUTCH DRIVE	2	
4-7	21451H33000H000	PLATE, CLUTCH DRIVEN	4	
4-8	21421H33000H000	SEAT, HUB DRIVER	1	
5	21481H33000H000	WASHER	1	
6	21210H33030H000	HUB COMP, PRIMARY DRIVE	1	
7	21346H33000H000	NUT, LOCK	1	

Fig. 14

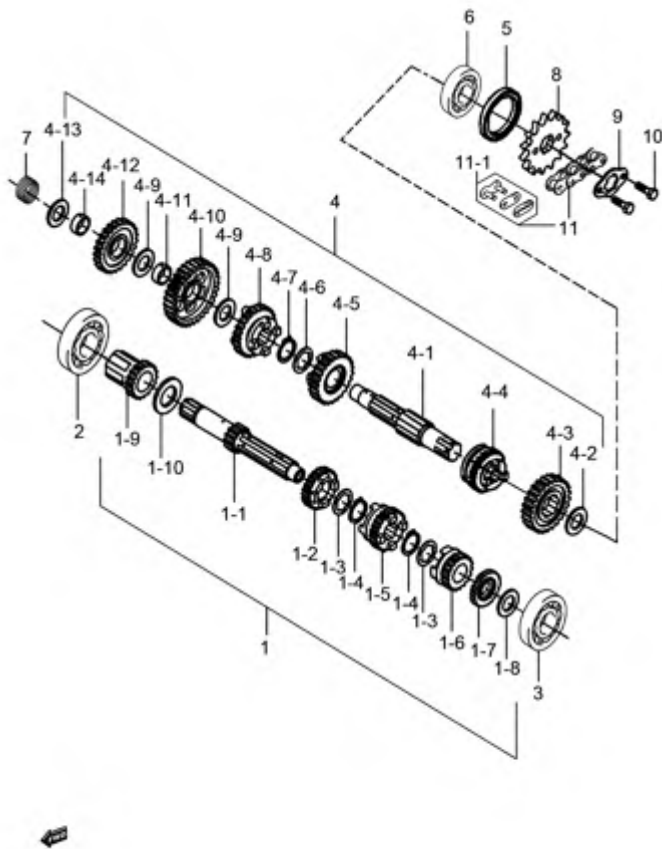


Fig.14 TRANSMISSION (P06-S150-0005)

REF. No.	PART No.	DESCRIPTION	Q'TY	REMARKS
1	24130H33041H000	SHAFT ASSY, DRIVE	1	
1-1	24131H33031H000	SHAFT, DRIVE	1	
1-2	24231H33010H000	GEAR, 3RD DRIVE	1	
1-3	24232H33000H000	WASHER	2	
1-4	08331-31209-000	CIRCLIP	2	
1-5	24241H33000H000	GEAR, 4TH DRIVE	1	
1-6	24251H33000H000	GEAR, 5TH DRIVE	1	
1-7	24221H33000H000	GEAR, 2ND DRIVE	1	
1-8	08211-15251-000	WASHER, 1ST DRIVEN GEAR, R THR	1	
1-9	24210H3F000H000	GEAR COMP, DRIVE	1	
1-10	09181H20270H000	WASHER	1	
2	08110-60060-000	BEARING	1	
3	09262H15009H000	BEARING	1	
4	24120H33020H000	SHAFT COMP, COUNTER	1	
4-1	24121H33020H000	SHAFT DRIVEN	1	
4-2	08211-20271-000	WASHER	1	
4-3	24321H33020H000	GEAR, 2ND DRIVEN	1	
4-4	24351H33000H000	GEAR, 5TH DRIVEN	1	
4-5	24341H33010H000	GEAR, 4TH DRIVEN	1	
4-6	24232H33000H000	WASHER	1	
4-7	08331-31209-000	CIRCLIP	1	
4-8	24331H33010H000	GEAR, 3RD DRIVEN	1	
4-9	09181H17240H000	WASHER	2	
4-10	24311H33010H000	GEAR, 1ST DRIVEN	1	
4-11	24312H33000H000	BUSH	1	
4-12	24301H33000H000	GEAR, DRIVEN	1	
4-13	08211-15301-000	WASHER	1	
4-14	24302H33000H000	BUSH, DRIVEN	1	
5	09283H20001H000	SEAL, OIL	1	

2

Fig. 14

2

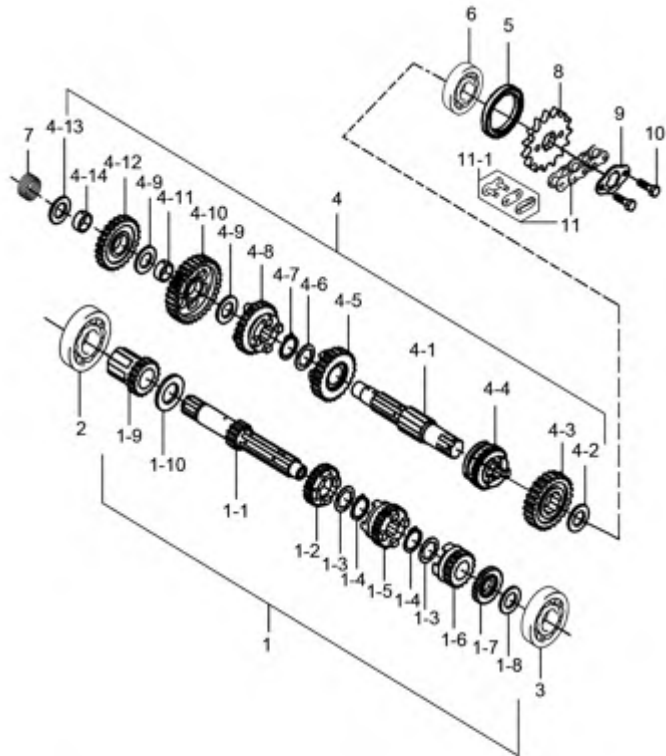


Fig.14 TRANSMISSION (P06-S150-0005)

REF. No.	PART No.	DESCRIPTION	Q' TY	REMARKS
6	08110-62040-000	BEARING, DRIVE SHAFT	1	
7	09263H15001H000	ROLLER BEARING	1	
8	27511H33030H000	SPROCKET, ENGINE	1	
9	27521H33010H000	WASHER	1	
10	01500-0610A-000	BOLT	2	
11	27600H2A000H108	CHAIN ASSY, DRIVE	1	
11-1	27620H2A000H000	JOINT SET, CHAIN	1	

Fig. 15

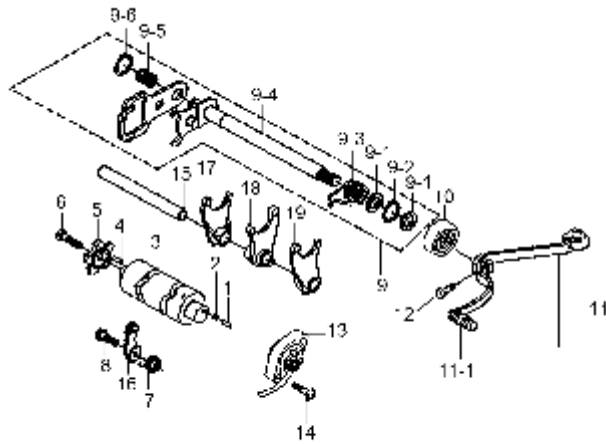


Fig.15 GEAR SHIFTING (P06-S160-0009)

REF. No.	PART No.	DESCRIPTION	Q'TY	REMARKS
1	25311H33000H000	PIN	1	
2	09440H04010H000	SPRING, COMPRESSION	1	
3	25310H33001H000	CAM COMP, GEAR SHIFT	1	
4	04221-04109-000	PIN	1	
5	25381H33000H000	PIN, FIXING CAM	1	
6	01500-0625A-000	BOLTS, HEXAGON HEAD	1	
7	25351H33020H000	SPRING, GEAR SHIFT CAM STOPPER	1	
8	09100H06022H000	BOLT	1	
9	25500H33030H000	SHAFT ASSY, GEAR SHIFT	1	
9-1	09181H16200H000	WASHER	2	
9-2	08331-31149-000	CIRCLIP, KICK SHAFT	1	
9-3	25531H33000H000	SPRING, SHIFT SHAFT RETURN	1	
9-4	25510H33030H000	SHAFT COMP, GEAR SHIFT	1	
9-5	25561H33000H000	SPRING	1	
9-6	08331-31129-000	CIRCLIP	1	
10	09283H14001H000	OIL SEAL	1	
11	25600H11A10H000	LEVER ASSY, GEAR SHIFT	1	
11-1	25652H16500H000	RUBBER, GEAR SHIFT PEDAL	1	
12	01500-0820A-000	BOLT	1	
13	37720H33031H000	BASE ASSY, GEAR SHIFT TERM	1	
14	02112-0418A-000	CROSS RECESSED HEAD SCREW	2	
15	25411H33000H000	SHAFT	1	
16	25350H33000H000	STOPPER COMP, GEAR SHIFT CAM	1	
17	25211H33000H000	FORK, GEAR SHIFT, R	1	
18	25231H33000H000	FORK, GEAR SHIFT, MIDDLE	1	
19	25241H33000H000	FORK, GEAR SHIFT, L	1	

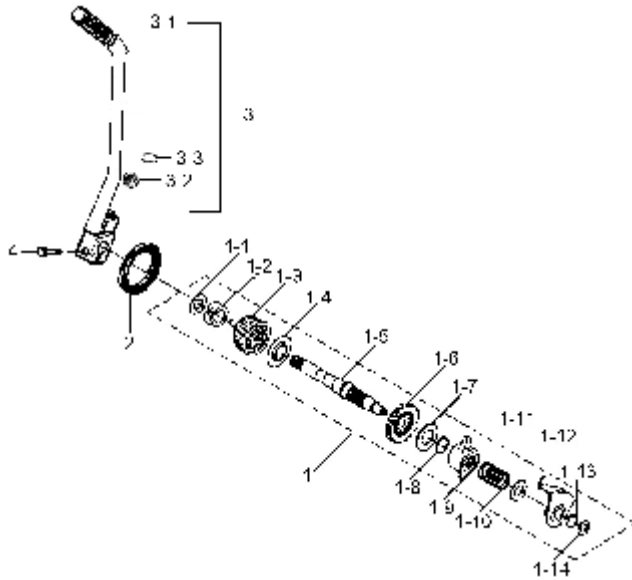
2



Fig. 16

Fig.16 KICK STARTER (P06-S165-0004)

REF. No.	PART No.	DESCRIPTION	Q'TY	REMARKS
1	26210H33020H000	SHAFT COMP, KICK STARTER	1	
1-1	08211-16301-000	WASHER	1	
1-2	26211H33010H000	BUSH	1	
1-3	26221H33000H000	SPRING	1	
1-4	26222H33000H000	SEAT, SPRING	1	
1-5	26231H33020H000	SHAFT, KICK STARTER	1	
1-6	26241H33000H000	GEAR, KICK STARTER DRIVE	1	
1-7	09181H20270H000	WASHER	1	
1-8	08331-31209-000	CIRCLIP	1	
1-9	26251H33000H000	RATCHET WHEEL	1	
1-10	26252H33000H000	SPRING RATCHET	1	
1-11	08211-16241-000	WASHER	1	
1-12	26261H33000H000	GUIDE	1	
1-13	08331-31169-000	CIRCLIP	1	
1-14	08211-12181-000	WASHER	1	
2	09283H16001H000	OIL SEAL	1	
3	26300H12E10H000	LEVER ASSY, KICK STARTER	1	
3-1	26352-01000-000	RUBBER, KICK STARTER LEVER	1	
3-2	09440-05003-000	SPRING, KICK STARTER LEVER	1	
3-3	08331-3115A-000	CIRCLIP	1	
4	01500-0825A-000	BOLTS, HEXAGON HEAD	1	



2

Fig.17

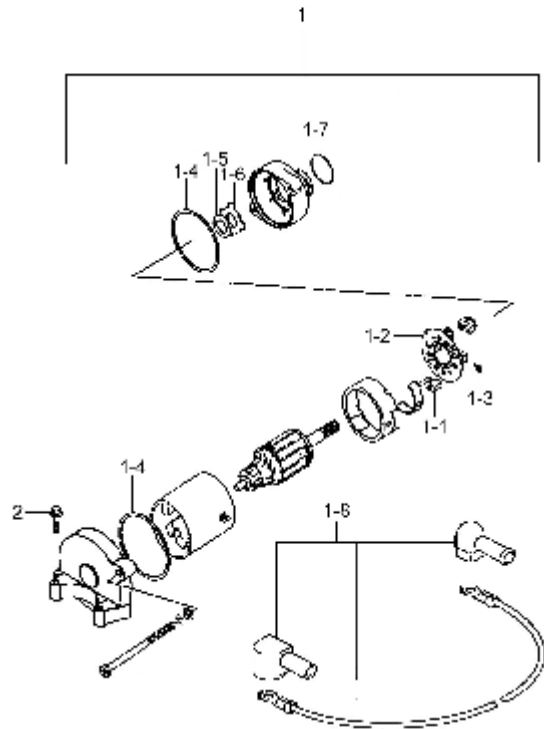


Fig.17 STARTING MOTOR (P06-S170-0002)

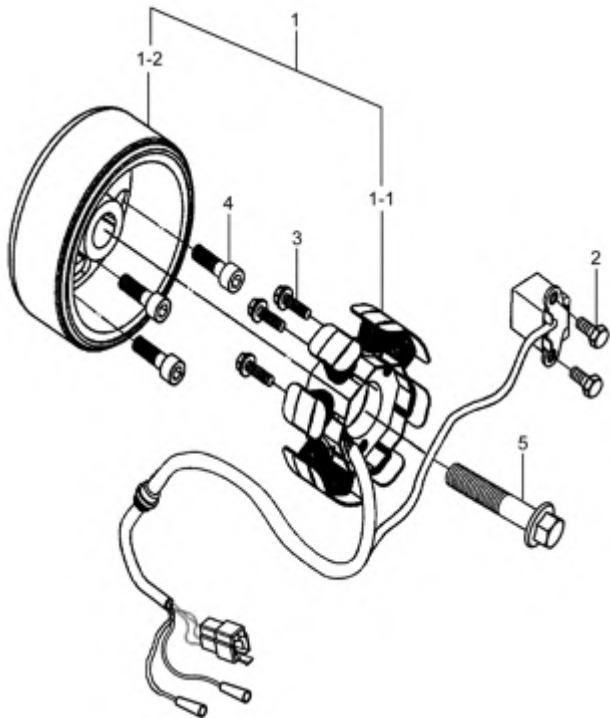
REF. No.	PART No.	DESCRIPTION	Q'TY	REMARKS
1	31100H11A00H000	MOTOR ASSY, STARTING	1	
1-1	31132H30200H000	BRUSH, STARTER MOTOR, PLUS	1	
1-2	31133H30200H000	BRUSH, STARTER MOTOR, MINUS	1	
1-3	31135H30200H000	SPRING, STARTER MOTOR BRUSH	4	
1-4	31156H30200H000	O-RING	2	
1-5	31362H30200H000	SHIM	1	
1-6	31361H30200H000	WASHER, LOCATING	1	
1-7	09280H33000H000	O RING	1	
1-8	33810H11A00H000	WIRE, STARTER MOTOR	1	
2	01550-0628A-000	BOLT, HEXAGON HEAD FLANGE	2	

3

Fig. 18

Fig.18 MAGNETO (P06-S180-0006)

REF. No.	PART No.	DESCRIPTION	Q' TY	REMARKS
1	32100H2E000H000	MAGNETO ASSY	1	
1-1	32101H330C0H000	STATOR ASSY	1	
1-2	32102H2E000H000	ROTOR ASSY	1	
2	09100H05004H000	BOLT, HEXAGON	2	
3	01547-0525A-000	BOLTS, HEXAGON HEAD FLANGE	3	
4	32491H33010H000	BOLT, MAGNETO ROTOR	3	
5	32111H33010H000	BOLT, MAGNETO	1	



3

Fig. 19

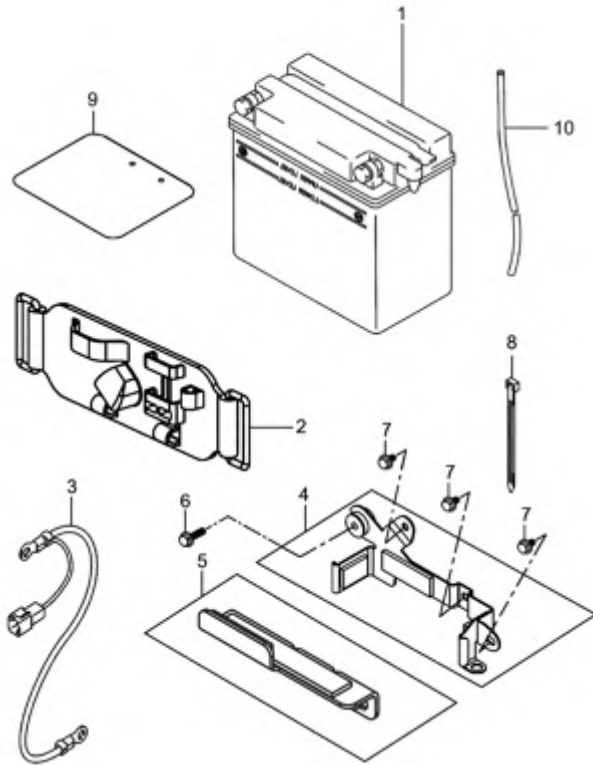


Fig.19 BATTERY (P06-S190-0010)

REF. No.	PART No.	DESCRIPTION	Q' TY	REMARKS
1	33611H12911H000	BATTERY	1	
2	33651H11A00H000	BAND, BATTERY	1	
3	33860H11221H000	WIRE, BATTERY MINUS LEAD	1	
4	41560H11A00H000	BRACKET ASSY, BATTERY	1	
5	41540H11A01H000	HOLDER ASSY, BATTERY	1	
6	01550-0625A-000	BOLT	1	
7	01550-0612B-000	BOLT	3	
8	09407H15401H000	CLAMP, WIRING HARNESS	1	
9	33652H11701H000	PROTECTOR, BATTERY	1	
10	33680H12920H000	HOSE, BATTERY EXHAUST	1	

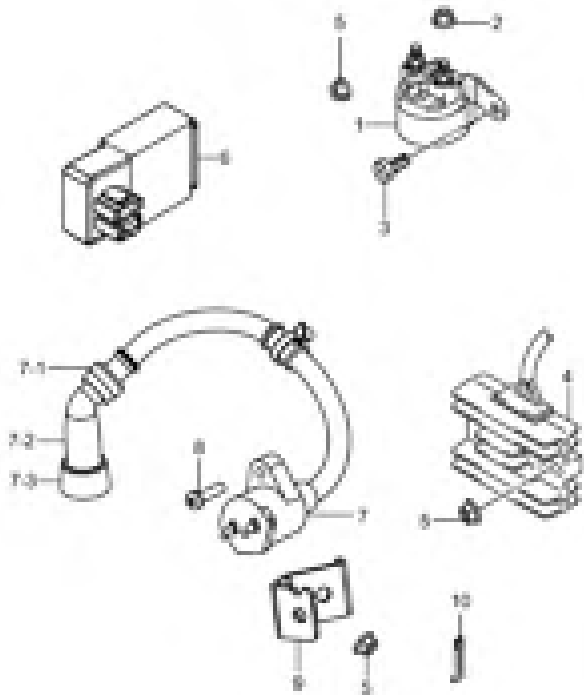
3



Fig. 20

Fig.20 ELECTRICAL (P06-S200-0011)

REF. No.	PART No.	DESCRIPTION	Q' TY	REMARKS
1	31800-49110-000	RELAY ASSY, STARTING MOTOR	1	
2	08361-3506A-000	NUT	2	
3	09128-06004-000	SCREW, STG MOT RLY	1	
4	32800H05522H000	RECTIFIER ASSY	1	
5	08316-1006B-000	NUT	4	
6	32900H11A20H000	CDI UNIT	1	
7	33410H05510H000	COIL ASSY, IGNITION	1	
7-1	33542-38B00-000	SEAL, HIGH TENSION CORD	1	
7-2	33510-04H10-000	CAP, SPARK PLUG	1	
7-3	33541-38210-000	SEAL, SPARK PLUG	1	
8	02112-1520A-000	CROSS RECESSED HEAD SCREW	1	
9	41894H11700HN00	BRACKET COMP, IGNITION COIL	1	
10	36651H12500H000	CLAMP	1	



3

Fig. 21

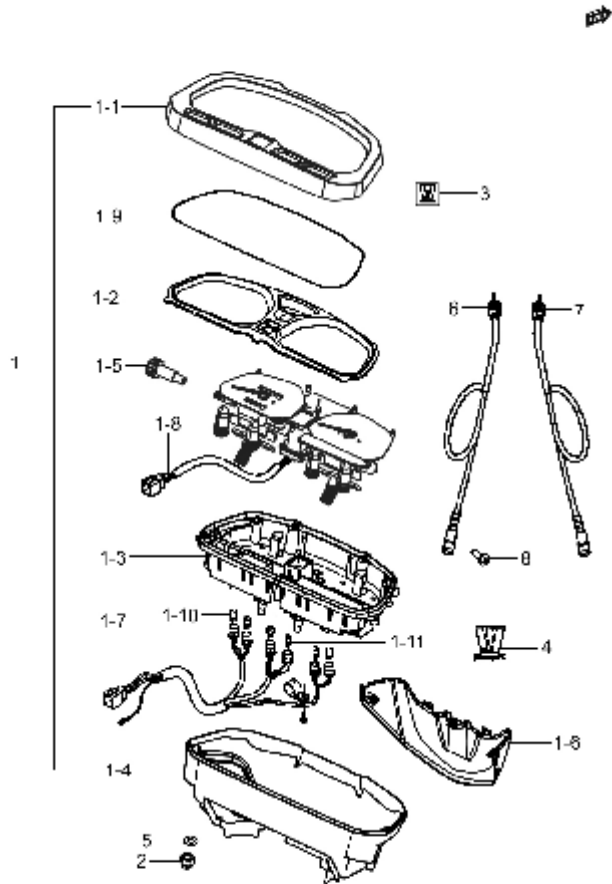


Fig.21 SPEEDOMETER (P06-S210-0013)

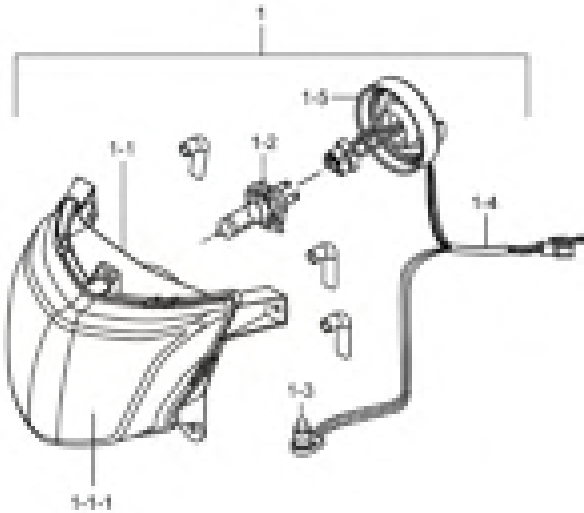
REF. No.	PART No.	DESCRIPTION	Q'TY	REMARKS
1	34100H11A01H000	SPEEDOMETER ASSY	1	
1-1	34150H11A00H000	HOOD, SPEEDOMETER	1	
1-2	34113H11A00H000	PLATE, SPEEDOMETER	1	
1-3	34111H11A00H000	CASE, SPEEDOMETER, LOWER	1	
1-4	34152H11A00H000	LOW CASE, SPEEDOMETER	1	
1-5	34980H12E00H000	KNOB	1	
1-6	34156H11A00H000	ORNAMENT PIECE, SP	1	
1-7	34173H11A00H000	WIRE HARNESS, SPEEDOMETER	1	
1-8	37720H11A00H000	BASE ASSY, GEAR SHIFT TERM	1	
1-9	34193H12E00H000	MOLD	1	
1-10	09471-12196-000	BULB, CUNIFORM LAMP HOLDER	3	T10 12V 3W
1-11	09471-12077-000	BULB	3	T10 12V 2W
2	08310-0006A-000	NUT	3	
3	68171H22500H000	EMBLEM, LOGO	1	
4	68170H12E00H000	LOGO	1	
5	09160-06129-000	WASHER, PLAIN	3	
6	34910H12E00H000	CABLE ASSY, SPEEDOMETER	1	
7	34940H13130H000	CABLE ASSY, TACHOMETER	1	
8	02132-05257-000	SCREW	1	

3

Fig. 22

Fig.22 HEADLAMP (P06-S220-0010)

REF. No.	PART No.	DESCRIPTION	Q' TY	REMARKS
1	35100H11A11H000	HEADLAMP ASSY	1	
1-1	35121H11A11H000	UNIT, HEADLAMP	1	
1-1-1	35124H11A10H000	LENS, HEADLAMP	1	
1-2	09471H12001H000	BULB (12V, 35/35W)	1	HS1 12V 35/35W
1-3	09471-12081-000	BULB, POSITION LAMP	1	12V 5W
1-4	35171H11A10H000	CORD, HEADLAMP	1	
1-5	35174H2A110H000	BOOT, HEADLAMP HOUSING	1	



3

Fig. 23

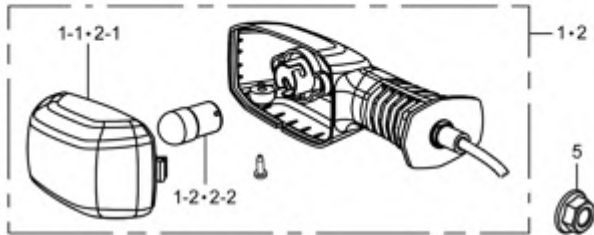
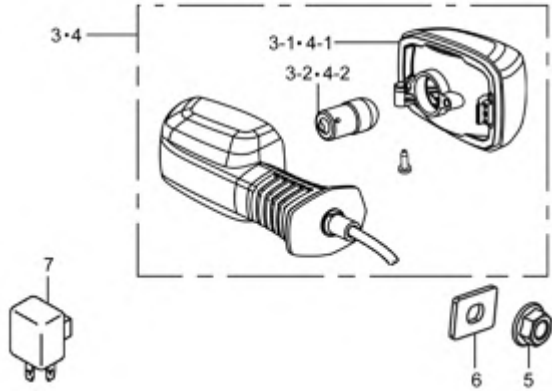


Fig.23 TURN SIGNAL LAMP (P06-S230-0009)

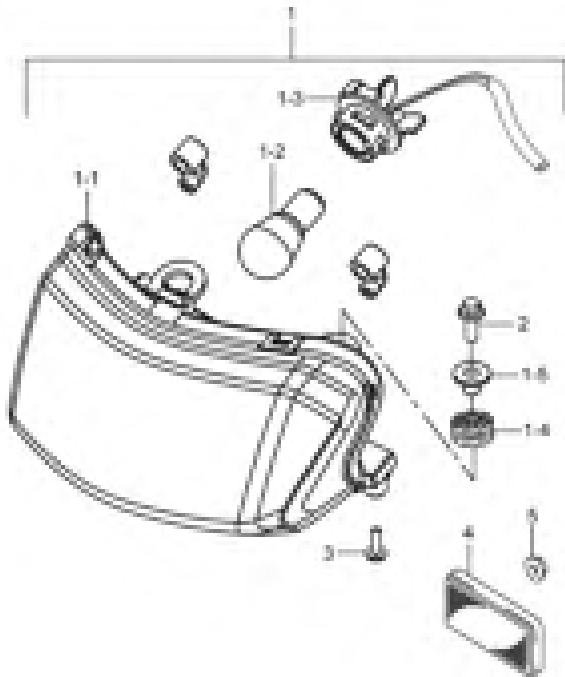
REF. No.	PART No.	DESCRIPTION	Q'TY	REMARKS
1	35601H11A01H000	LAMP ASSY, FRONT TURNSIGNAL, R	1	
1-1	35610H11A00H000	UNIT, FRONT TURNSIGNAL, R	1	
1-2	09471-12177-000	BULB (12V 10W)	1	12V 10W
2	35602H11A01H000	LAMP ASSY, FRONT TURNSIGNAL, L	1	
2-1	35630H11A00H000	UNIT, FRONT TURNSIGNAL, L	1	
2-2	09471-12177-000	BULB (12V 10W)	1	12V 10W
3	35603H11A01H000	LAMP ASSY, REAR TURNSIGNAL, R	1	
3-1	35630H11A00H000	UNIT, FRONT TURNSIGNAL, L	1	
3-2	09471-12177-000	BULB (12V 10W)	1	12V 10W
4	35604H11A01H000	LAMP ASSY, REAR TURNSIGNAL, L	1	
4-1	35610H11A00H000	UNIT, FRONT TURNSIGNAL, R	1	
4-2	09471-12177-000	BULB (12V 10W)	1	12V 10W
5	08316-1010A-000	NUT	4	
6	35616H11A01H000	PLATE, TURNSIGNAL	2	
7	38610H11222H000	RELAY ASSY, TURNSIGNAL	1	

3

Fig. 24

Fig.24 REAR COMBINATION LAMP (P06-S240-0009)

REF. No.	PART No.	DESCRIPTION	Q' TY	REMARKS
1	35710H11A00H000	LAMP ASSY, REAR COMB	1	
1-1	35720H11A00H000	UNIT, REAR COMB	1	
1-2	09471-12128-000	BULB (12V, 21/5W)	1	12V 21/5W
1-3	35718H11A00H000	CORD COMP, REAR COMB	1	
1-4	35764H11A00H000	CUSHION, REAR COMB, INNER	1	
1-5	35766H11A00H000	SPACER, REAR COMB LAMP	1	
2	01550-0625B-000	BOLT	2	
3	09136H04003H000	SCREW WITH WASHER	2	
4	35970-04H01-000	REFLEX REFLECTOR ASSY, REAR	1	
5	08316-1005B-000	NUT	1	



3

Fig. 25

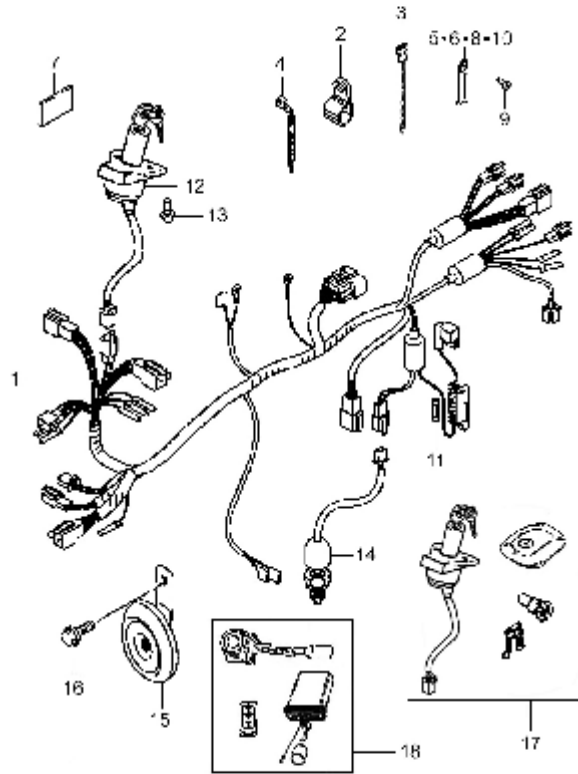


Fig.25 WIRING HARNESS (P06-S250-0015)

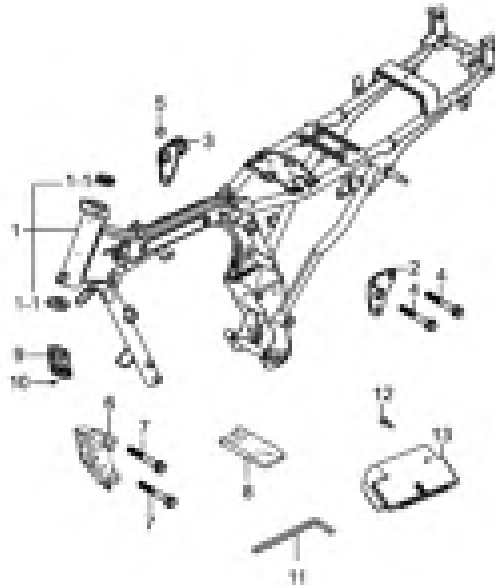
REF. No.	PART No.	DESCRIPTION	Q' TY	REMARKS
1	36610H11A11H000	HARNESS WIRING	1	
2	36619H12901H000	CLAMP, WIRING HARNESS	1	
3	09407-12402-000	CLAMP, WIRING HARNESS	3	L=128
4	09407-14403-000	CLAMP, FUEL HOSE	3	L=125
5	36651H12610H000	CLAMP, WIRING HARNESS	2	L=155
6	36651H12500H000	CLAMP	1	L=74. 5
7	44256H12600H000	SEPARATOR	2	
8	36651-45F40-000	CLAMP, WIRING HARNESS	2	L=155
9	03541-0512B-000	SCREW	1	
10	09404-06429-000	CLAMP, CARB OVFL HOSE	1	L=60
11	09481-15001-000	FUSE	1	
12	37100H11A10H000	LOCK ASSY, STEERING	1	
13	37101H11200H000	BOLT	2	
14	37740H12601H000	SWITCH ASSY, STOP LAMP	1	
15	38500H12601H000	HORN ASSY	1	
16	01550-0612B-000	BOLT	1	
17	37011H11AB0H000	LOCK SET	1	
18	38840H2A010H000	ALARM ASSY	1	PL

3

Fig. 26

Fig.26 FRAME (P06-S260-0028)

REF. No.	PART No.	DESCRIPTION	Q' TY	REMARKS
1	41101H11Y41H000	FRAME SET	1	
1-1	51611H11200H000	INSIDE RACE	2	
2	41993H11200H000	PLATE, LEFT UPPER	1	
3	41991H11200H000	PLATE, RIGHT UPPER	1	
4	41919-45F00-000	BOLT, ENG MTG LOWER	2	
5	08319-3108A-000	NUT	4	
6	41992H12920H000	BRKT, ENG MTG LOWER	1	
7	09103H08013H000	BOLT, HEXAGON	2	
8	09800H11201H000	TOOL SET	1	
9	68311H30120H000	PLATE, ID	1	
10	68389-45F00-000	RIVET	2	
11	09816-05700-000	SPANNER	2	
12	02112-1520B-000	CROSS RECESSED HEAD SCREW	2	
13	47432H11700H000	CAP, TOOL BOX	1	



4

Fig. 27

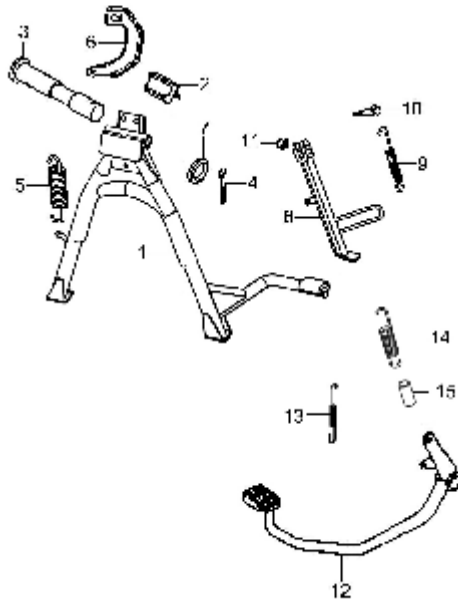


Fig.27 STAND (P06-S270-0010)

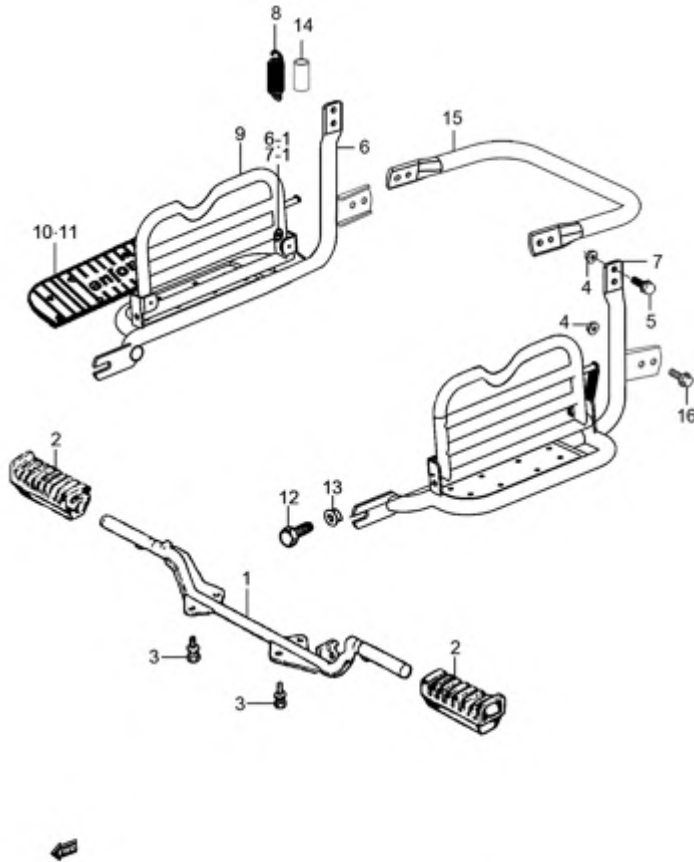
REF. No.	PART No.	DESCRIPTION	Q'TY	REMARKS
1	42100H12600H000	STAND COMP, CENTER	1	
2	42278H12900H000	STOPPER, CENTER STAND	1	
3	42211H11200H000	AXLE	1	
4	04111-2525A-000	COTTER PIN	1	
5	09443H18101H000	SPRING, TENSION	1	
6	42112H12900H000	SPRING PLATE, CENTER STAND	1	
7	43142H11200H000	WASHER	1	
8	42310H12900H000	STAND COMP, PROP	1	
9	42321H11200H000	SPRING	1	
10	42322H11201H000	BOLT, SIDE STAND	1	
11	09159H10097H000	NUT	1	
12	43110H11710H000	PEDAL COMP, BRAKE	1	
13	09443H05002H000	SPRING, TENSION	1	
14	09443H14004H000	SPRING, TENSION	1	
15	43142H21302H000	HOSE, RUBBER	1	

4

Fig. 28

Fig.28 FOOTREST (P06-S280-0022)

REF. No.	PART No.	DESCRIPTION	Q' TY	REMARKS
1	43510H12J02H000	BAR COMP, FRONT FOOTREST	1	
2	43551H12900H000	RUBBER, FRONT FOOTREST	2	
3	01580-0820B-000	HEXAGON HEAD BOLT	4	
4	08319-3108A-000	NUT	8	
5	01580-0825A-000	HEXAGON HEAD BOLT	4	
6	43610H11A31H000	BOARD COMP, PILLION FOOTREST, R	1	
6-1	41569H05610H000	WASHER RUBBER	2	
7	43710H11A00H000	BOARD COMP, PILLION FOOTREST, L	1	
7-1	41569H05610H000	WASHER RUBBER	2	
8	09443H16002H000	SPRING, TENSION	2	
9	46311H12900H000	OVERTURN CARRIER	2	
10	43618H12900H000	RUBBER, PILLION FOOTREST, R	1	
11	43718H12900H000	RUBBER, PILLION FOOTREST, L	1	
12	42551H50000H000	BOLT	4	
13	43631H12600H000	SPACER, PILLION FOOTREST	4	
14	43142H12600H000	HOSE, RUBBER	2	
15	43619H11700H000	CONNECT TUBE, PILLION FOOTREST BOARD	1	
16	01550-08257-000	BOLTS, HEXAGON HEAD FLANGE	4	



4

Fig. 29

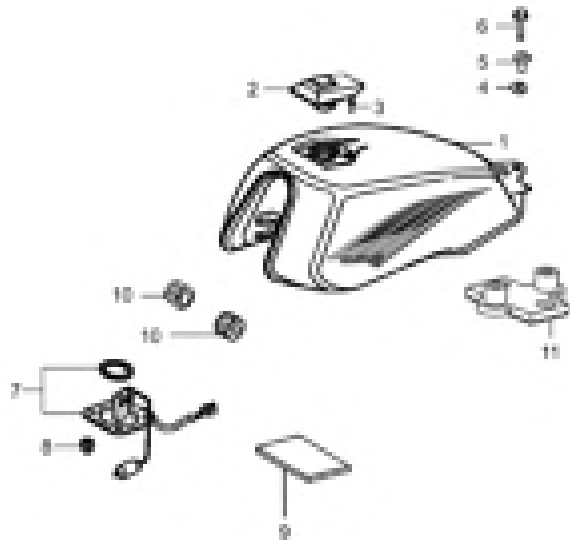


Fig.29 FUEL TANK (P06-S290-0025)

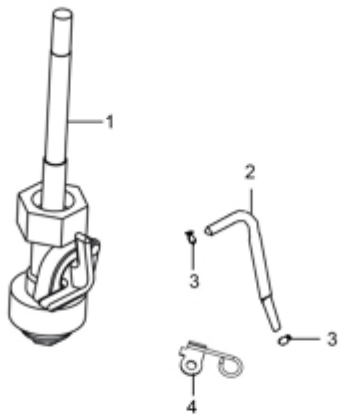
REF. No.	PART No.	DESCRIPTION	Q'TY	REMARKS
1	44011H11AG0HF01	FUEL TANK SET (RED)	1	
1	44011H11AG0HF03	FUEL TANK SET (BLACK)	1	
1	44011H11AG0HF04	FUEL TANK SET (BLUE)	1	
2	44200H11A00H000	CAP ASSY, FUEL TANK FILLER	1	
3	02112-0406A-000	CROSS RECESSED HEAD SCREW	2	
4	09320H10022H000	CUSHION	2	
5	44544-45F10-000	SPACER, FUEL TANK, REAR	2	
6	09116-06084-000	BOLT, FUEL TANK REAR	2	
7	34810H11710H000	GAUGE ASSY, FUEL LEVEL SENDER	1	
8	08316-1006A-000	NUT	4	
9	44256H12600H000	SEPARATOR	2	
10	44541H11200H000	CUSHION, FRONT	2	
11	44542H11A00H000	CUSHION, FUEL TANK REAR LOWER	1	

4

Fig. 30

Fig.30 FUEL COCK (P06-S300-0010)

REF. No.	PART No.	DESCRIPTION	Q' TY	REMARKS
1	44300H11A00H000	COCK ASSY, FUEL	1	
2	44420H11700H000	HOSE COMP, FUEL	1	
3	09401-08414-000	CLIP	2	
4	44428H12900H000	GUIDE, FUEL HOSE	1	



4



Fig. 31

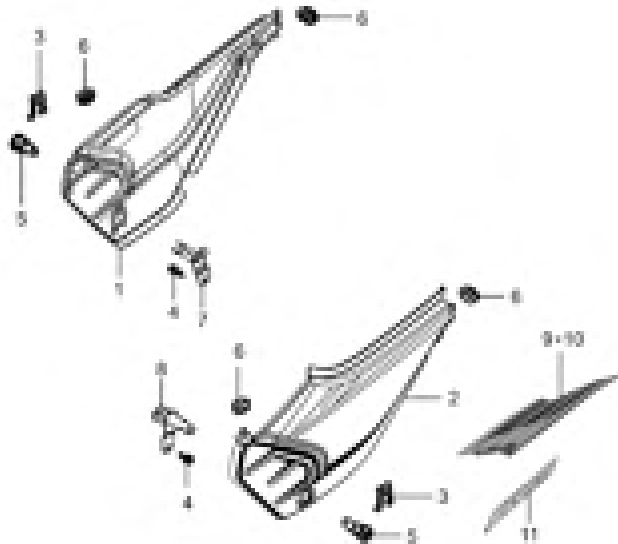


Fig.31 FRAME COVER (P06-S310-0026)

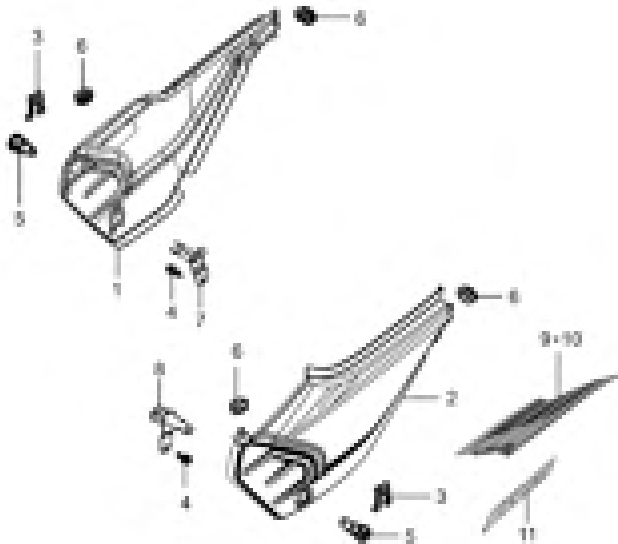
REF. No.	PART No.	DESCRIPTION	Q' TY	REMARKS
1	47111H11A00HA39	COVER, FRAME, R (RED/MATTE BLACK)	1	
1	47111H11A00HA28	COVER, FRAME, R (BLACK/MATTE BLACK)	1	
1	47111H11A00HA30	COVER, FRAME, R (BLUE/MATTE BLACK)	1	
2	47211H11A00HA39	COVER, FRAME, L (RED/MATTE BLACK)	1	
2	47211H11A00HA28	COVER, FRAME, L (BLACK/MATTE BLACK)	1	
2	47211H11A00HA30	COVER, FRAME, L (BLUE/MATTE BLACK)	1	
3	47641H11200H000	SPRING	2	
4	02112-1612B-000	SCREWS, CROSS RECESSED HEAD	4	
5	47600H11202H000	LOCK ASSY, SIDE COVER	2	
6	47312H02100H000	RUBBER CUSHION	4	
7	47320H11A00H000	BUTTON ASSY, SIDE COVER LOCK, R	1	
8	47330H11700H000	BUTTON ASSY, SIDE COVER LOCK, L	1	
9	68130H11A10HSB3	TAPE SET, FRAME COVER STRIPE, R (SB3)	1	
9	68130H11A10HSB5	TAPE SET, FRAME COVER STRIPE, R (SB5)	1	
9	68130H11A10HSM7	TAPE SET, FRAME COVER STRIPE, R (SM7)	1	
10	68140H11A10HSB3	TAPE SET, FRAME COVER STRIPE, L (SB3)	1	
10	68140H11A10HSB5	TAPE SET, FRAME COVER STRIPE, L (SB5)	1	
10	68140H11A10HSM7	TAPE SET, FRAME COVER STRIPE, L (SM7)	1	

4

Fig. 31

Fig.31 FRAME COVER (P06-S310-0026)

REF. No.	PART No.	DESCRIPTION	Q' TY	REMARKS
11	68135H11A10HSIL	TAPE, FRAME COVER (SIL)	2	

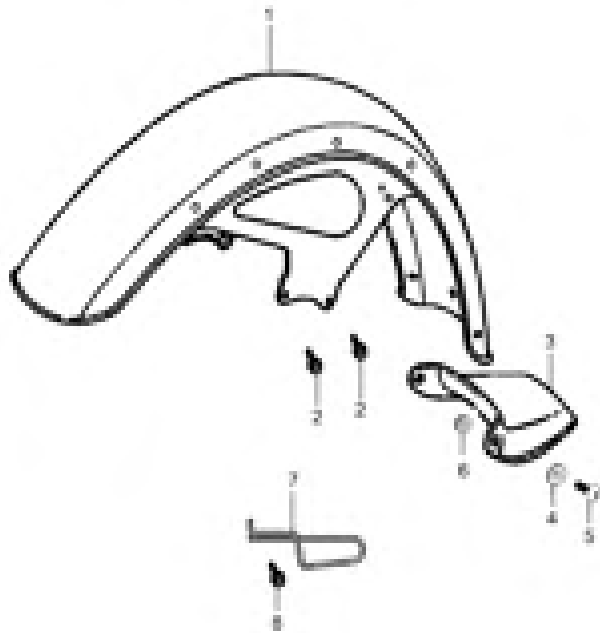


4

Fig. 32

Fig.32 FRONT FENDER (P06-S320-0008)

REF. No.	PART No.	DESCRIPTION	Q' TY	REMARKS
1	53110H11A20H000	FENDER COMP, FRONT	1	
2	01580-0616B-000	BOLT	4	
3	53115H11200H000	FENDER, MOVABLE FRONT	1	
4	53116H11200H000	SPACING	2	
5	02142-0512A-000	CROSS RECESSED HEAD SCREW	2	
6	08316-1005A-000	HEXAGON FLANGE NUT	2	
7	58621H12B10H000	GUIDE, SPEEDOMETER CABLE	1	
8	01550-0610A-000	BOLTS, HEXAGON HEAD FLANGE	1	

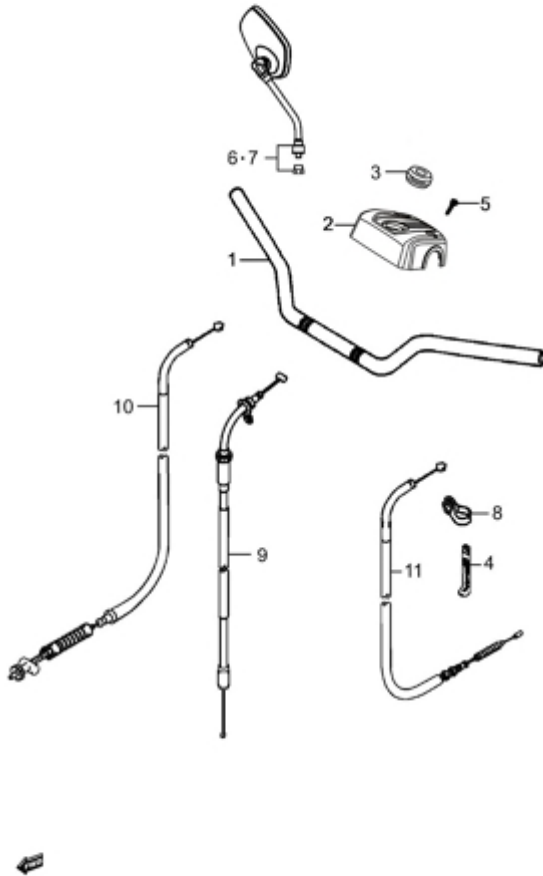


4

Fig. 33

Fig.33 HANDLEBAR (P06-S330-0018)

REF. No.	PART No.	DESCRIPTION	Q' TY	REMARKS
1	56110H11A00H000	HANDLEBAR COMP	1	
2	56171H11A01H000	COVER, STEERING HEAD	1	
3	37157H12600H000	COVER, STEERING LOCK	1	
4	36651H12911H000	CLAMP	1	
5	02142-0616B-000	SCREW	2	
6	56500H11200H000	MIRROR, REAR VIEW RH	1	
7	56600H11200H000	MIRROR ASSY, REAR VIEW LH	1	
8	34938H12600H000	CLAMP	1	
9	58300H11A11H000	CABLE ASSY, THROTTLE	1	
10	58100H11A11H000	CABLE ASSY, FRONT BRAKE	1	
11	58200H11A10H000	CABLE ASSY, CLUTCH	1	



4

Fig. 34

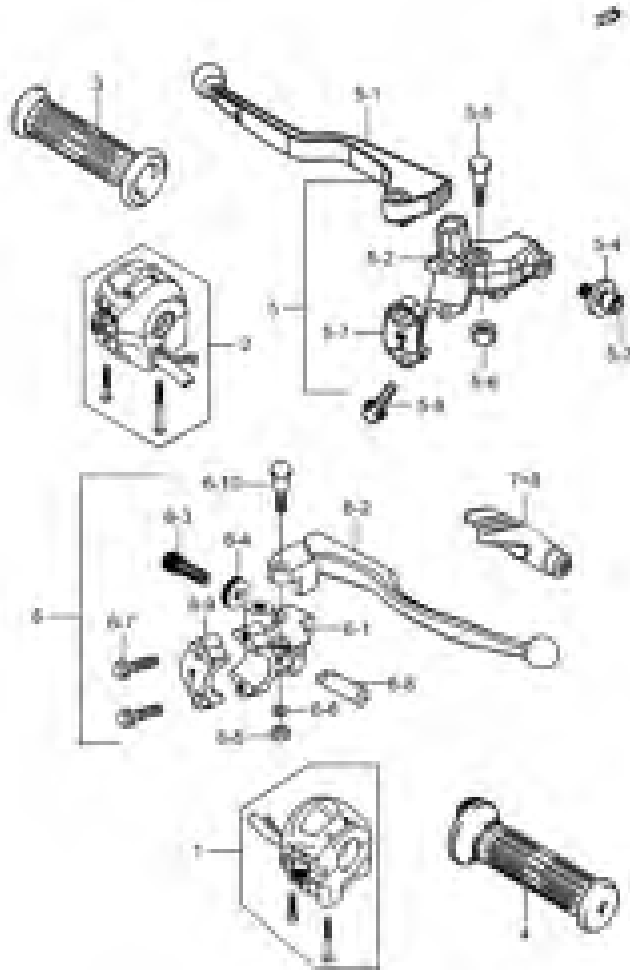


Fig.34 HANDLE SWITCH (P06-S340-0013)

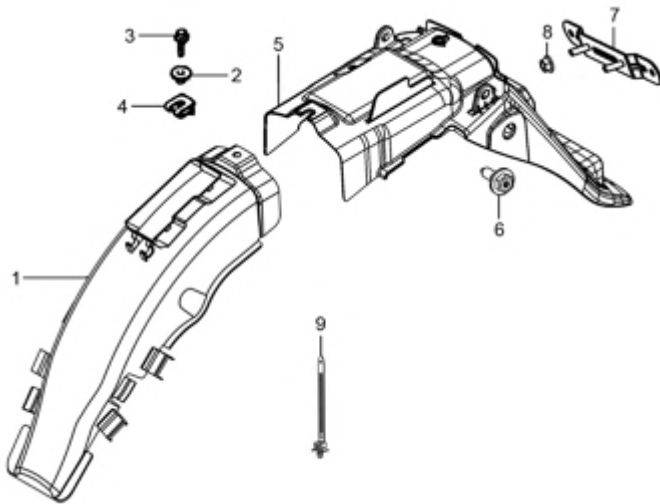
REF. No.	PART No.	DESCRIPTION	Q'TY	REMARKS
1	37200H11A21H000	SWITCH ASSY, HANDLE, R	1	
2	37400H11A20H000	SWITCH ASSY, HANDLE, L	1	
3	57211-46111-000	GRIP, L	1	
4	57110-05300-000	GRIP COMP, THROTTLE	1	
5	57500-053D0-000	LEVER ASSY, CLUTCH	1	
5-1	57621-053C0-000	LEVER, CLUTCH	1	
5-2	57511-053B0-000	HOLDER, LEVER	1	
5-3	57441-45C00-000	ADJUSTER, CABLE	1	
5-4	57442-45C00-000	NUT, CABLE ADJUSTER	1	
5-5	57431-45C01-000	BOLT, LEVER	1	
5-6	08319-2106B-000	U-NUT	1	
5-7	57512-45F00-000	BRACKET	1	
5-8	01547-0620B-000	BOLT	2	
6	57300H36H00H000	LEVER ASSY, FR BRAKE & SWITCH	1	
6-1	57311-36H00-000	HOLDER, BRAKE LEVER	1	
6-2	57421-36H00-000	LEVER, BRAKE	1	
6-3	57441-45F00-000	ADJUSTER, WIRE	1	
6-4	57442-45F00-000	NUT, LOCK	1	
6-5	08310-0006B-000	NUT	1	
6-6	08321-0106B-000	SPRING LOCK WASHER	1	
6-7	01547-0620B-000	BOLT	2	
6-8	57460-45F00-000	SWITCH ASSY, FRONT BRAKE	1	
6-9	57512-45F00-000	BRACKET	1	
6-10	57431H36H00H000	BOLT, BRAKE LEVER PIVOT	1	
7	57661-05300-000	COVER, CLUTCH LEVER	1	
8	57341-36H00-000	COVER, BRAKE LEVER	1	

4

Fig. 35

Fig.35 REAR FENDER (P06-S350-0006)

REF. No.	PART No.	DESCRIPTION	Q' TY	REMARKS
1	63112H11700H000	BODY, REAR FENDER FRONT	1	
2	63141H11200H000	SPACING	1	
3	01550-0620B-000	BOLT	1	
4	63119H11200H000	NUT	1	
5	63113H11A00H000	BODY, REAR FENDER, REAR	1	
6	09111H06007H000	BOLT	2	
7	35927-37G00-000	BRACKET, L I C E N S E P L A T E	1	
8	08316-1006B-000	NUT	2	
9	36651-12F10-000	CLAMP	1	



4

Fig. 36

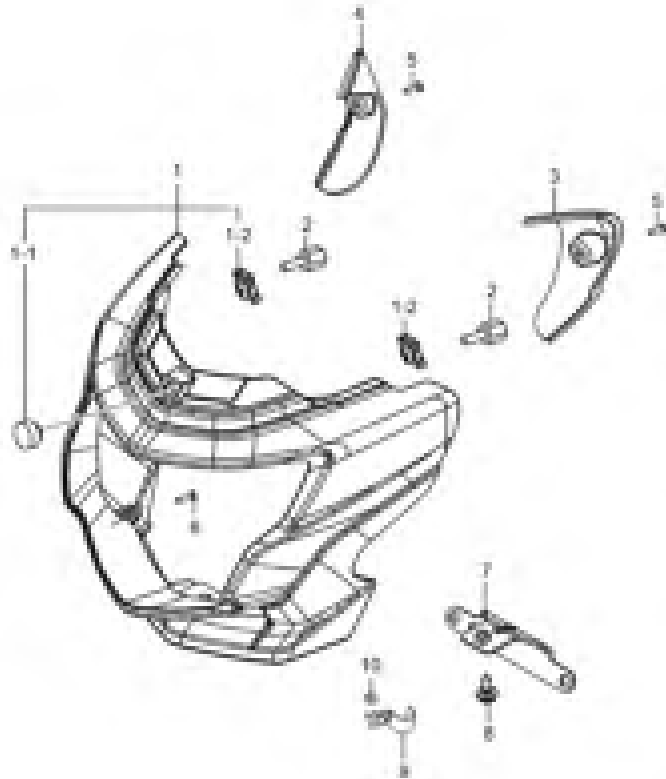


Fig.36 COWLING (P06-S360-0005)

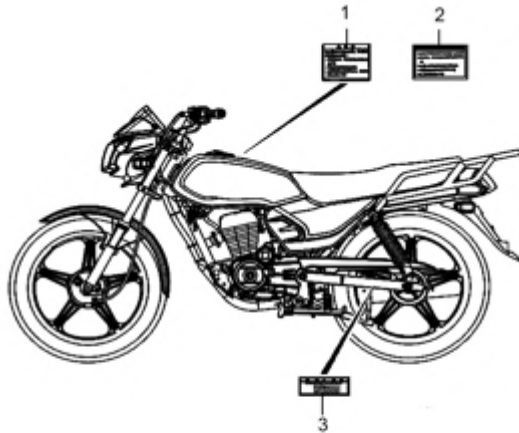
REF. No.	PART No.	DESCRIPTION	Q'TY	REMARKS
1	94041H11A30HA39	COWLING SET (RED/MATTE BLACK)	1	
1	94041H11A30HA28	COWLING SET (BLACK/MATTE BLACK)	1	
1	94041H11A30HA30	COWLING SET (BLUE/MATTE BLACK)	1	
1-1	09321H09001H000	CUSHION	1	
1-2	94434H12E00H000	NUT, CTR COWL	2	
2	94577H12E00H000	BOLT, COWLING BRACKET	2	
3	94425H11A00H000	PANEL, SIDE, L	1	
4	94415H11A00H000	PANEL, SIDE, R	1	
5	02142-0510B-000	CROSS RECESSED HEAD SCREW	2	
6	35151-21J00-000	SCREW, HEADLAMP	3	
7	94550H11A00H000	BRACKET COMP, COWLING LOWER	1	
8	09111-06066-000	BOLT, FIXED FR FENDER	1	
9	36651H12E00H000	CLAMP, WIRING HARNESS	1	
10	08316-1006B-000	NUT	1	

4

Fig. 37

Fig.37 LABEL (P06-S370-0018)

REF. No.	PART No.	DESCRIPTION	Q' TY	REMARKS
1	68319-29F00-000	LABEL, WARNING SAFETY	1	
2	99011H11A60H000	MANUAL, OWNER'S	1	
3	68332H11210H000	LABEL, TIRE INFORMATION	1	

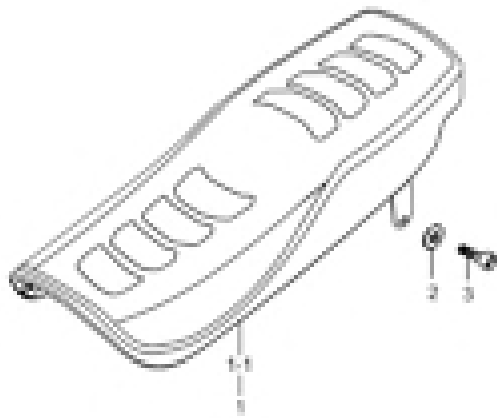


4

Fig. 38

Fig.38 SEAT (P06-S380-0004)

REF. No.	PART No.	DESCRIPTION	Q'TY	REMARKS
1	45100H11A10H000	SEAT ASSY	1	
1-1	45160H11A00H000	COVER COMP, SEAT	1	
2	08322-0108A-000	PLAIN WASHER	2	
3	07130-0816B-000	SCREWS, HEXAGON SOCKET HEAD CAP	2	

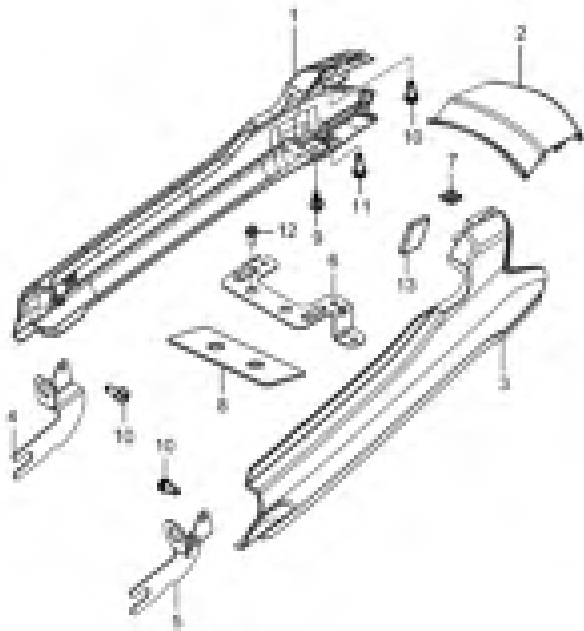


4

Fig. 39

Fig.39 COVER,SEAT TAIL (P06-S390-0014)

REF. No.	PART No.	DESCRIPTION	Q' TY	REMARKS
1	45511H11A01HA39	COVER, SEAT TAIL, R (RED/MATTE BLACK)	1	
1	45511H11A01HA28	COVER, SEAT TAIL, R (BLACK/MATTE BLACK)	1	
1	45511H11A01HA30	COVER, SEAT TAIL, R (BLUE/MATTE BLACK)	1	
2	45513H11A00H104	COVER, SEAT TAIL, CTR (RED)	1	
2	45513H11A00H541	COVER, SEAT TAIL, CTR (BLACK)	1	
2	45513H11A00H608	COVER, SEAT TAIL, CTR (BLUE)	1	
3	45512H11A01HA39	COVER, SEAT TAIL, L (RED/MATTE BLACK)	1	
3	45512H11A01HA28	COVER, SEAT TAIL, L (BLACK/MATTE BLACK)	1	
3	45512H11A01HA30	COVER, SEAT TAIL, L (BLUE/MATTE BLACK)	1	
4	45518H11A00H000	INSERT, TAIL COVER, R	1	
5	45519H11A00H000	INSERT, TAIL COVER, L	1	
6	63121H11A00H000	BRACKET, REAR COMB	1	
7	94434H12E00H000	NUT, CTR COWL	2	
8	35765H12900H000	CUSHION, REAR COMB LAMP	1	
9	01550-0616B-000	BOLT	2	
10	03541-0408B-000	CROSS RECESSED HEAD TAPPING SCREW	6	

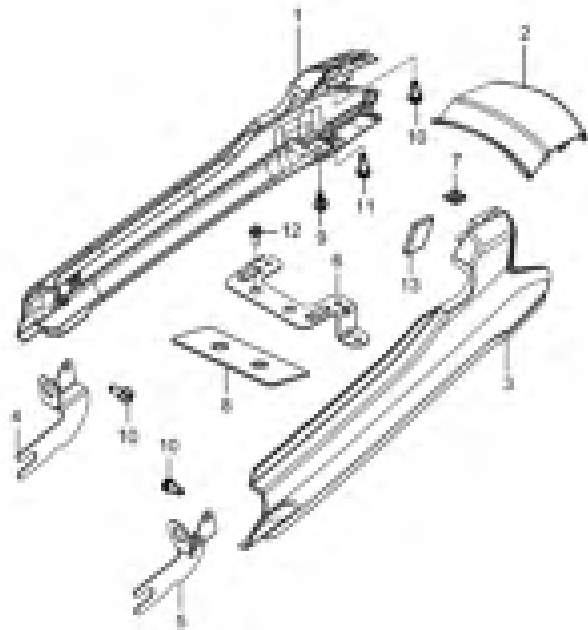


4

Fig. 39

Fig.39 COVER,SEAT TAIL (P06-S390-0014)

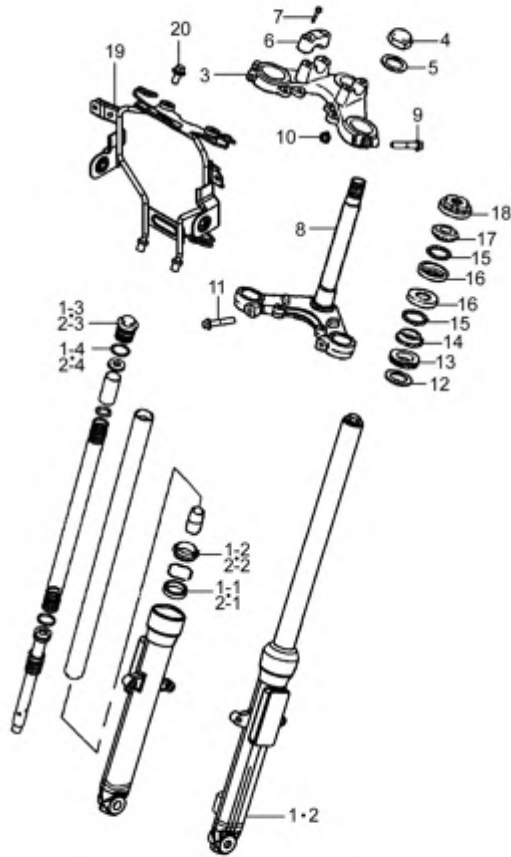
REF. No.	PART No.	DESCRIPTION	Q' TY	REMARKS
11	03541-0412B-000	SCREW	2	
12	09111-06061-000	SCREW, FRONT FENDER	2	
13	56314-20E00-000	GASKET NO. 2, HEADLAMP COVER	6	



4

Fig. 40

Fig.40 STEERING STEM (P06-S400-0018)



REF. No.	PART No.	DESCRIPTION	Q' TY	REMARKS
1	51103H11AC0H000	DAMPER ASSY, FRONT FORK, R	1	
1-1	51153H12710H000	OIL SEAL	1	
1-2	51173H12710H000	SEAL, DUST	1	
1-3	51189H11A00H000	CAP	1	
1-4	51117-45F40-000	O RING	1	
2	51104H11AC0H000	DAMPER ASSY, FRONT FORK, L	1	
2-1	51153H12710H000	OIL SEAL	1	
2-2	51173H12710H000	SEAL, DUST	1	
2-3	51189H11A00H000	CAP	1	
2-4	51117-45F40-000	O RING	1	
3	51311H11210H000	BRACKET, UPPER	1	
4	51353H11200H000	NUT	1	
5	51356H11200H000	GASKET	1	
6	56211H12600H000	HOLDER, HANDLE UPPER	2	
7	01550-0830B-000	HEXAGON BOLT WITH FLANGE	4	
8	51410H11701H000	BRACKET COMP, UNDER	1	
9	01550-0855A-000	BOLTS, HEXAGON HEAD FLANGE	2	
10	09145H08001H000	NUT, CAP	2	
11	01570-0840A-000	HEXAGON HEAD BOLT	2	
12	51625H11200H000	GASKET	1	
13	51626H11200H000	CUSHION	1	
14	51621H11200H000	RICE STEERING, OUT LOWER	1	
15	06111-06004-000	BALL, STEERING, UPPER	42	
16	51611H11200H000	INSIDE RACE	2	
17	51622H11200H000	RACE STEERING, OUT UPPER	1	
18	51630H11200H000	NUT	1	
19	94500H11A00H000	BRACKET ASSY, COWLING	1	
20	01550-0625A-000	BOLT	2	

Fig. 41

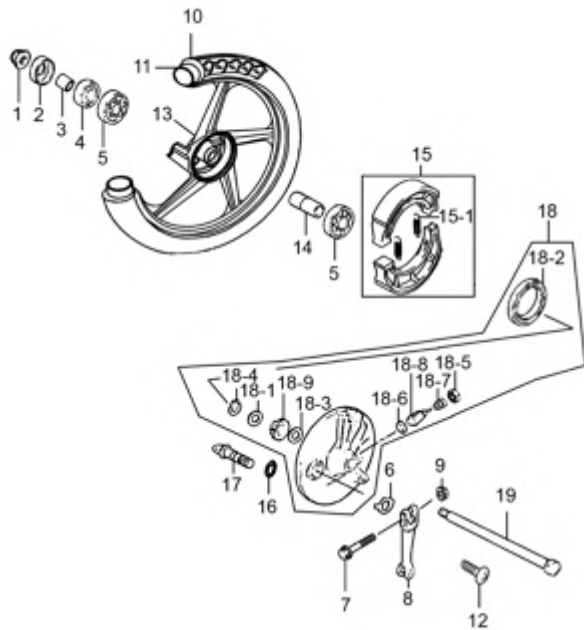


Fig.41 FRONT WHEEL (P06-S410-0026)

REF. No.	PART No.	DESCRIPTION	Q'TY	REMARKS
1	08319-3112A-000	U-NUT	1	
2	54892-45F00-000	COVER, FRONT HUB DUST SEAL	1	
3	54741H2A000H000	SPACER, FRONT AXLE, R	1	
4	54742-45F00-000	SEAL, FRONT HUB	1	
5	08133-63017-000	BEARING, FRONT HUB	2	
6	54492H11201H000	PLATE, FR BK LINING INDICATOR	1	
7	01550-0633A-000	BOLT, HEXAGON HEAD FLANGE	1	
8	54451H11200H000	LEVER, BRAKE CAM	1	
9	08316-1006A-000	NUT	1	
10	55100H11020H000	TIRE COMP, FRONT	1	
11	55200H11020H000	TUBE ASSY, WHEEL INNER	1	
12	02132-0516A-000	SCREW	1	
13	54110H11A01H000	WHEEL COMP, FRONT	1	
14	54750H11200H000	SPACER	1	
15	54400H45Y20H000	SHOE COMP, BRAKE	1	
15-1	55421H11200H000	SPRING, BRAKE SHOE	2	
16	09280-14003-000	O-RING, REAR BRAKE CAM	1	
17	54441H12B00H000	CAM, FRONT BRAKE	1	
18	54200H12930H000	PANEL ASSY, FRONT BRAKE	1	
18-1	54613H11200H000	WASHER	1	
18-2	54616H11200H000	OIL SEAL	1	
18-3	54614H11200H000	WASHER	1	
18-4	08331-31208-000	CIRCLIP	1	
18-5	54626H11200H000	OIL SEAL	1	
18-6	54623H11200H000	THRUST WASHER	2	
18-7	54632H12930H000	BUSH, SPEEDOMETER PINION	1	
18-8	54621H12930H000	PINION, SPEEDOMETER	1	
18-9	54610H12900H000	DRIVER COMP, SPEEDOMETER GEAR	1	
19	54711H50000H000	AXLE, FRONT	1	

4

Fig. 42

Fig.42 REAR SWINGING ARM (P06-S440-0025)

REF. No.	PART No.	DESCRIPTION	Q' TY	REMARKS
1	61100H12801H000	SWINGINGARM COMP, REAR	1	
2	61200H11200H000	BUFFER	2	
3	08319-3112A-000	U-NUT	2	
4	61273H11700H000	BUFFER, CHAIN TOUCH DEFENSE	1	
5	09160-12073-000	LOCK WASHER, LH	2	
6	61211H11700H000	SHAFT, RR SWG ARM PIVOT	1	
7	64310H12900H000	TORQUE LINK COMP, REAR	1	
8	09111-08012-000	BOLT, REAR TORQUELINK FRONT	1	
9	09111-08013-000	BOLT, REAR TORQUELINK REAR	1	
10	09162-08008-000	LOCK WASHER, RR TORQUELINK	2	
11	09140H08001H000	NUT	2	
12	04111-2020A-000	COTTER PIN	2	
13	09180H12007H000	SPACER	1	
14	09160H13009H000	WASHER	1	

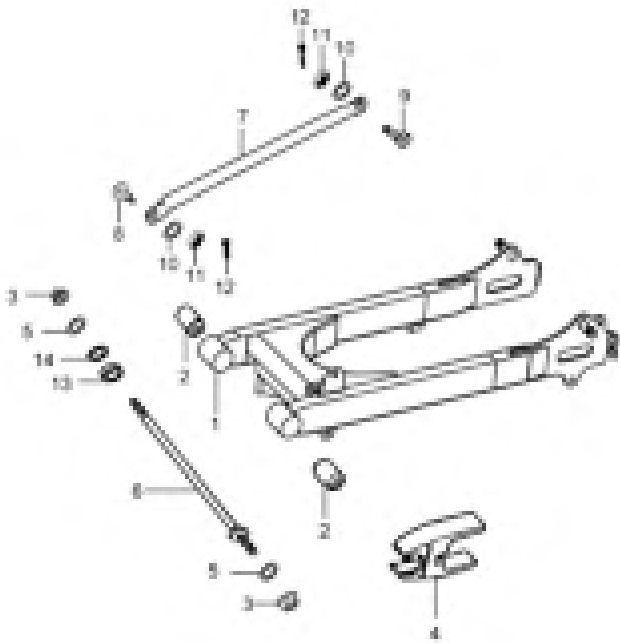


Fig. 43

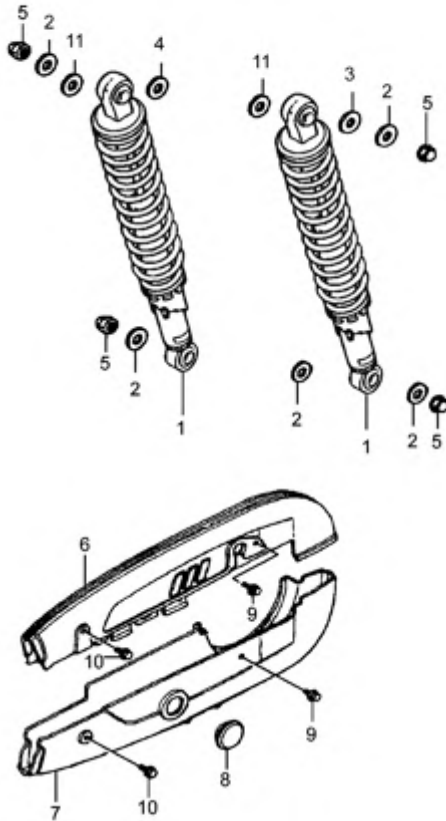


Fig.43 REARSHOCK ABSORBER (P06-S450-0012)

REF. No.	PART No.	DESCRIPTION	Q' TY	REMARKS
1	62100H11220H000	ABSORBER ASSY, REAR SHOCK	2	
2	09160H10001H000	WASHER, PLAIN	5	
3	09160H12009H000	WASHER, PLAIN	1	
4	09160H12006H000	WASHER, PLAIN	1	
5	08313-10107-000	NUT, RR SHOCK ABS	4	
6	61310H12902H000	CASE COMP, CHAIN UPPER	1	
7	61320H12902H000	CASE COMP, CHAIN LOWER	1	
8	09250H34001H000	CAP	1	
9	01560-0608B-000	HEXAGON HEAD BOLT	2	
10	01550-0612B-000	BOLT	2	
11	09180H12013H000	SPACER	2	

4

Fig. 44

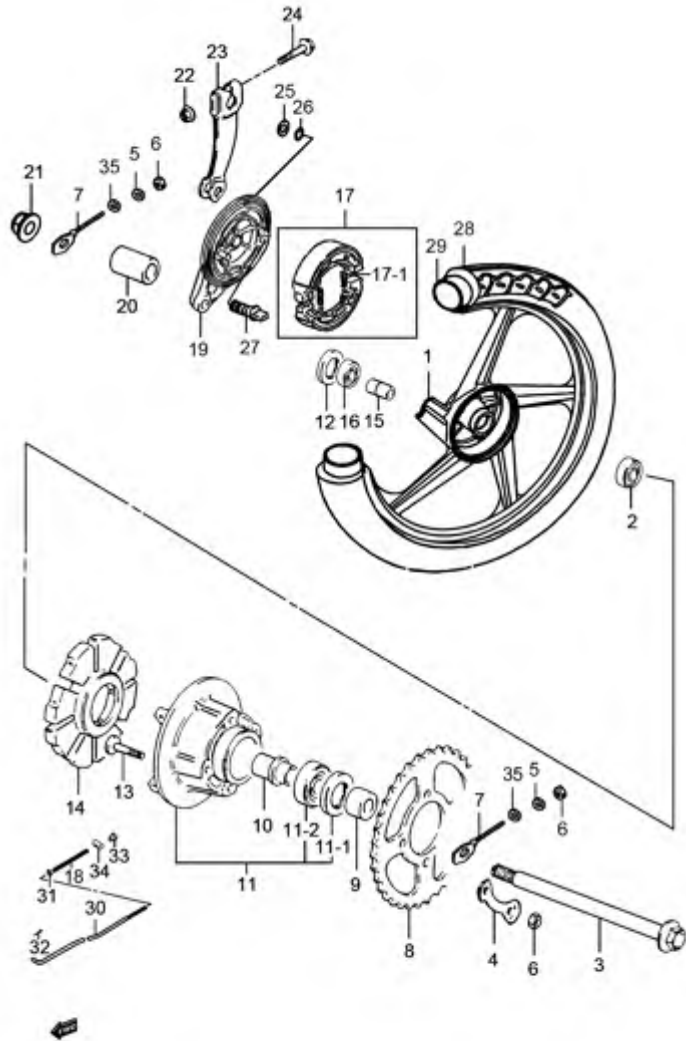


Fig.44 REAR WHEEL (P06-S460-0035)

REF. No.	PART No.	DESCRIPTION	Q' TY	REMARKS
1	64150H11A00H000	WHEEL COMP, REAR	1	
2	08144-63027-000	BEARING, REAR HUB	1	
3	64711H12800H000	AXLE, REAR	1	
4	64516H11201H000	LOCK PLATE, REAR SPROCKET	2	
5	08321-0108A-000	SPRING LOCK WASHER	2	
6	08310-0008A-000	HEXAGON NUT	6	
7	61410H12901H000	ADJUSTER COMP, CHAIN	2	
8	64511H12801H000	SPROCKET, REAR	1	
9	64733H12820H000	RETAINER, REAR SPROCKET DRUM	1	
10	64614H12800H000	BUSH, RR SPROCKET DRUM	1	
11	64610H12800H000	DRUM COMP, REAR SPROCKET	1	
11-1	64612H11200H000	OIL SEAL	1	
11-2	08143-60047-000	BEARING	1	
12	64810H11200H000	OIL SEAL, REAR WHEEL	1	
13	64541H12800H000	BOLT, REAR SPROCKET	4	
14	64651H11200H000	CUSHION	4	
15	64916H11210H000	SPACER COMP, REAR HUB	1	
16	08143-62027-000	BEARING	1	
17	54400H45Y20H000	SHOE COMP, BRAKE	1	
17-1	55421H11200H000	SPRING, BRAKE SHOE	2	
18	09440H09007H000	SPRING, COMPRESSION	1	
19	64210H11000H000	PANEL COMP, REAR BRAKE	1	
20	09180H15003H000	SPACER	1	
21	08319-3114A-000	U-NUT	1	
22	08316-1006A-000	NUT	1	
23	64451H12B00H000	LEVER, REAR BRAKE CAM	1	
24	01550-0633A-000	BOLT, HEXAGON HEAD FLANGE	1	
25	64492H11200H000	FINGER, REAR BRAKE	1	
26	09280-14003-000	O-RING, REAR BRAKE CAM	1	

Fig. 44

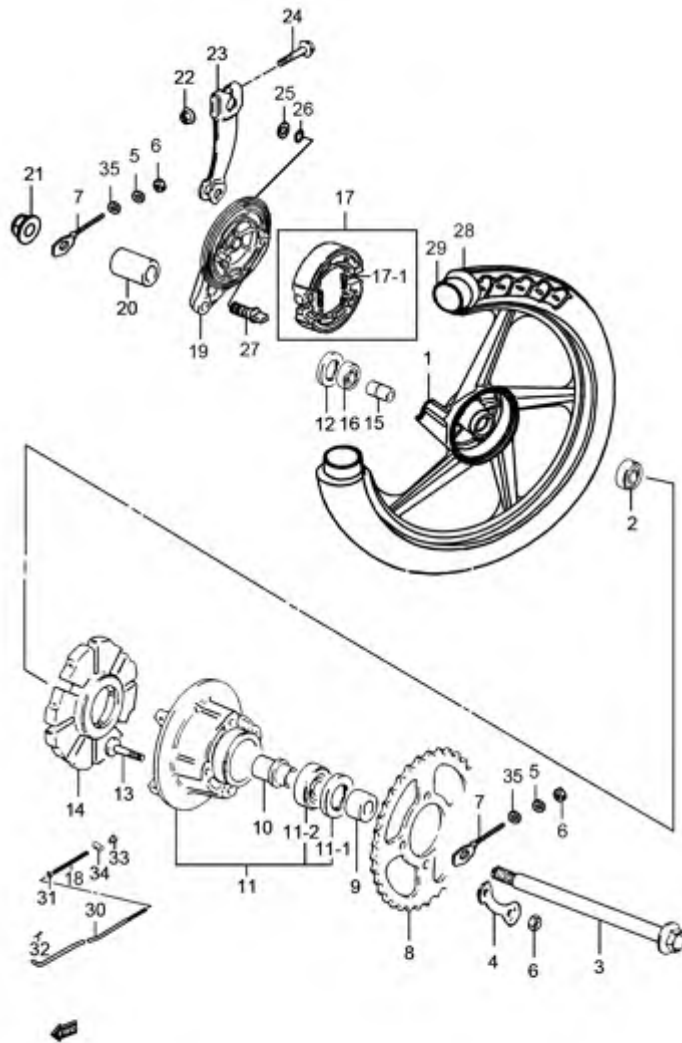


Fig.44 REAR WHEEL (P06-S460-0035)

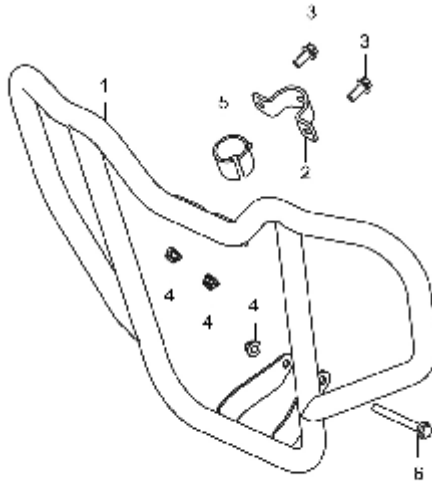
REF. No.	PART No.	DESCRIPTION	Q' TY	REMARKS
27	64441H12B00H000	CAM, REAR BRAKE	1	
28	65100H11050H000	TIRE COMP, REAR	1	
29	65200H11020H000	TUBE ASSY, WHEEL INNER	1	
30	43310H12900H000	BRAKE ROD ASSY	1	
31	08322-0106A-000	WASHER, PLAIN	2	
32	04111-2015A-000	COTTER PIN	1	
33	09150-06001-000	NUT, REAR BRAKE ROD ADJUSTER	1	
34	43321H11200H000	PIN	1	
35	08322-0108A-000	PLAIN WASHER	2	

4

Fig. 45

Fig.45 BUMPER COMP (P06-S470-0004)

REF. No.	PART No.	DESCRIPTION	Q' TY	REMARKS
1	94210H11A00H000	BUMPER COMP, FRONT	1	
2	94221-26H10-000	PLATE, FRONT BUMPER UPPER FIT	1	
3	01550-0820A-000	BOLTS, HEXAGON HEAD FLANGE	2	
4	08319-3108A-000	NUT	3	
5	94231-45F00-000	CUSHION, FRONT BUMPER	1	
6	09103-08016-000	BOLT, ENG MTG (L80)	1	

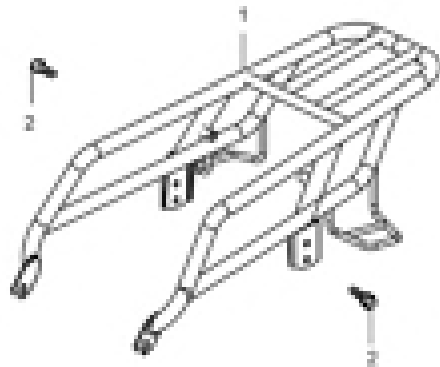


4

Fig. 46

Fig.46 CARRIER (P06-S480-0010)

REF. No.	PART No.	DESCRIPTION	Q'TY	REMARKS
1	46310H11A00H000	CARRIER COMP, REAR	1	
2	01550-0850A-000	HEXAGON BOLT WITH FLANGE	2	



4

PART NO.	FIG. NO. – REF. NO.	PART NO.	FIG. NO. – REF. NO.	PART NO.	FIG. NO. – REF. NO.	PART NO.	FIG. NO. – REF. NO.
00000		01550-0616B-000	39-9	03541-0408B-000	39-10	08316-1006B-000	35-8
		01550-0620A-000	11-7	03541-0412B-000	39-11	08316-1006B-000	36-10
		01550-0620B-000	35-3	03541-0512B-000	25-9	08316-1010A-000	23-5
		01550-0625A-000	13-4-1	04111-2015A-000	44-32	08319-2106B-000	34-5-6
		01550-0625A-000	19-6	04111-2020A-000	42-12	08319-3108A-000	01-12
01421-0616A-000	01-19	01550-0625A-000	40-20	04111-2525A-000	27-4	08319-3108A-000	26-5
01500-0610A-000	14-10	01550-0625B-000	24-2	04221-04109-000	15-4	08319-3108A-000	28-4
01500-0625A-000	15-6	01550-0628A-000	01-14	06111-06004-000	40-15	08319-3108A-000	03-18
01500-0820A-000	15-12	01550-0628A-000	17-2	07130-0816B-000	38-3	08319-3108A-000	45-4
01500-0825A-000	16-4	01550-0633A-000	41-7	07130-0825A-000	10-1	08319-3110A-000	03-20
01547-0525A-000	18-3	01550-0633A-000	44-24	08110-60060-000	14-2	08319-3112A-000	41-1
01547-0612A-000	07-1	01550-0820A-000	45-3	08110-62040-000	14-6	08319-3112A-000	42-3
01547-0612A-000	11-17	01550-08257-000	28-16	08133-63017-000	41-5	08319-3114A-000	44-21
01547-0612A-000	03-4	01550-0830B-000	40-7	08143-60047-000	44-11-2	08321-0106B-000	34-6-6
01547-0612A-000	01-10	01550-0850A-000	46-2	08143-62027-000	44-16	08321-0108A-000	44-5
01547-0614A-000	03-23	01550-0855A-000	40-9	08144-63027-000	44-2	08322-0106A-000	44-31
01547-0616A-000	11-15	01560-0608B-000	43-9	08211-12181-000	16-1-14	08322-0108A-000	38-2
01547-0616A-000	04-19	01570-0840A-000	40-11	08211-14241-000	07-2	08322-0108A-000	44-35
01547-0620A-000	01-18	01580-0616B-000	32-2	08211-15251-000	14-1-8	08331-31129-000	15-9-6
01547-0620B-000	34-5-8	01580-0820B-000	28-3	08211-15301-000	14-4-13	08331-31149-000	15-9-2
01547-0620B-000	34-6-7	01580-0825A-000	28-5	08211-16241-000	16-1-11	08331-3115A-000	16-3-3
01547-0622A-000	02-3	02112-0406A-000	29-3	08211-16301-000	16-1-1	08331-31169-000	16-1-13
01547-0625A-000	03-2	02112-0418A-000	15-14	08211-20271-000	14-4-2	08331-31208-000	41-18-4
01547-0625A-000	04-14	02112-0650A-000	03-5	08310-0006A-000	01-20	08331-31209-000	14-1-4
01547-0628A-000	04-16	02112-0695A-000	03-6	08310-0006A-000	21-2	08331-31209-000	14-4-7
01547-0640A-000	04-2	02112-1520A-000	20-8	08310-0006B-000	34-6-5	08331-31209-000	16-1-8
01547-0650A-000	04-4	02112-1520B-000	26-12	08310-0008A-000	44-6	08361-3506A-000	20-2
01547-0655A-000	03-9	02112-1612B-000	31-4	08313-10107-000	43-5	09100H05004H000	18-2
01547-0660A-000	04-8	02122-0512A-000	05-9	08313-2006B-000	09-8	09100H06022H000	15-8
01550-0610A-000	32-8	02122-0628A-000	12-3	08316-1005A-000	32-6	09103-08016-000	45-6
01550-0612A-000	09-9	02132-0516A-000	41-12	08316-1005B-000	24-5	09103H08009H000	01-5
01550-0612B-000	19-7	02132-05257-000	21-8	08316-1006A-000	29-8	09103H08013H000	26-7
01550-0612B-000	25-16	02142-0510B-000	36-5	08316-1006A-000	41-9	09103H08015H000	03-17
01550-0612B-000	43-10	02142-0512A-000	32-5	08316-1006A-000	44-22	09103H10003H000	03-19
01550-0616A-000	11-9	02142-0616B-000	33-5	08316-1006B-000	20-5	09108H08012H000	02-6

5

PART NO.	FIG. NO. – REF. NO.	PART NO.	FIG. NO. – REF. NO.	PART NO.	FIG. NO. – REF. NO.	PART NO.	FIG. NO. – REF. NO.
09108H08013H000	02-5	09181-19261-000	07-9	09280H18002H000	04-7-1	09440H33000H000	13-4-3
09111-06061-000	39-12	09181H06001H000	04-1-6	09280H20003H000	07-10	09443H05002H000	27-13
09111-06066-000	36-8	09181H10190H000	06-1	09280H33000H000	17-1-7	09443H14004H000	27-14
09111-08012-000	42-8	09181H12180H000	07-8	09280H34002H000	01-16	09443H16002H000	28-8
09111-08013-000	42-9	09181H16200H000	15-9-1	09280H35001H000	03-12	09443H18101H000	27-5
09111H06007H000	35-6	09181H17240H000	14-4-9	09280H62001H000	04-17	09471-12077-000	21-1-11
09116-06084-000	29-6	09181H20270H000	14-1-10	09283H07001H000	04-1-7	09471-12081-000	22-1-3
09128-06004-000	20-3	09181H20270H000	16-1-7	09283H14001H000	15-10	09471-12128-000	24-1-2
09136-05040-000	09-1-5	09205H03001H000	04-1-4	09283H16001H000	16-2	09471-12177-000	23-1-2
09136H04003H000	24-3	09206H08004H000	04-5	09283H16001H000	04-3	09471-12177-000	23-2-2
09139-06078-000	10-5-1	09206H10007H000	02-2	09283H20001H000	14-5	09471-12177-000	23-3-2
09140H08001H000	42-11	09206H10007H000	03-1-1	09283H34001H000	05-2	09471-12177-000	23-4-2
09145H08001H000	40-10	09206H10007H000	04-22	09289H06001H000	07-7	09471-12196-000	21-1-10
09150-06001-000	44-33	09206H10008H000	01-6	09320-08051-000	09-6	09471H12001H000	22-1-2
09159H10097H000	27-11	09247-12104-000	04-12	09320H10022H000	29-4	09481-15001-000	25-11
09160-06094-000	10-5-2	09247H12105H000	03-11	09321H09001H000	36-1-1	09482H33000H000	01-15
09160-06129-000	21-5	09250H34001H000	43-8	09381-14001-000	05-3	09491H20000H000	08-1-10
09160-12073-000	42-5	09259-26016-000	04-9	09401-06101-000	11-19	09492H35001H000	08-1-8
09160H08005H000	07-19	09259H99002H000	04-7	09401-08414-000	30-3	09494H00008H000	08-1-25
09160H10001H000	43-2	09261H10008H000	06-5-4	09401-13409-000	11-2	09800H11201H000	26-8
09160H12004H000	01-3	09262H15009H000	14-3	09401-15101-000	09-4	10000	26-11
09160H12006H000	43-4	09262H17001H000	13-3	09401-15101-000	11-5		
09160H12009H000	43-3	09262H28001H000	05-12	09401-15404-000	11-18		
09160H13009H000	42-14	09262H28002H000	05-13	09401H07201H000	11-12		
09162-08008-000	42-10	09263H10001H000	06-2	09402-46203-000	09-2		
09164H12001H000	07-22	09263H10001H000	06-6-1	09404-06429-000	25-10		
09168-06018-000	01-9	09263H10001H000	04-20	09407-12402-000	25-3		
09168-06122-000	10-5-3	09263H15001H000	14-7	09407-14403-000	25-4		
09168-08032-000	01-7	09280-14003-000	41-16	09407H15401H000	19-8		
09168-12002-000	03-13	09280-14003-000	44-26	09420H04002H000	05-1-1		
09168-12002-000	04-13	09280-22008-000	04-21	09440-05003-000	16-3-2	11110H330P0H000	01-1
09180H06207H000	09-7	09280H09008H000	12-2	09440H04010H000	15-2	11141H33000H000	01-2
09180H12007H000	42-13	09280H09009H000	04-1-2	09440H04017H000	06-5-6	11151H33001H000	01-4
09180H12013H000	43-11	09280H13002H000	03-21	09440H09007H000	44-18	11161H33000H000	07-21
09180H15003H000	44-20	09280H17001H000	07-25	09440H13004H000	07-13	11171H33080H000	01-8

PART NO.	FIG. NO. – REF. NO.	PART NO.	FIG. NO. – REF. NO.	PART NO.	FIG. NO. – REF. NO.	PART NO.	FIG. NO. – REF. NO.
11181H33001H000	01-13	12843H33030H0A0	07-23	13413H11A11H000	08-1-16	18463H2E002H000	11-11
11210H33041H0B0	02-1	12851H33000H000	07-17-1	13573H36900H000	08-1-2	18610H12E00H000	11-8
11241H33000H000	02-4	12852H33000H000	07-17-2	13700H11A10H000	09-1	18700H12E00H000	11-3
11301H33Y31H000	03-1	12862H33010H0A0	07-24	13720H11700H000	09-1-1	18711H12E20H000	11-1
11342H33Y70H000	04-1	12871H33010H000	07-18	13722H12600H000	09-1-3	18712H12E11H000	11-4
11351H33032H000	04-11	12873H33000H000	07-20	13741H12610H000	09-1-6	20000	
11361H33070H000	04-15	12911H33000H000	07-11	13780H12910H000	09-1-2		
11411H33000H000	03-3	12912H33000H000	07-12	13781H12910H000	09-1-2-1		
11421H33B00H000	03-8	12921H33000H000	07-5	13851H12911H000	09-3		
11430H33000H000	03-10	12922H33000H000	07-6	13881H12600H000	09-1-4		
11431H33001H000	03-10-1	12931H33000H000	07-4	13891H12600H000	09-1-7	21111H33000H000	05-7
11432H33000H000	03-10-2	12932H33010H000	07-3	14181H11200H000	10-2	21210H33030H000	13-6
11433H33000H000	03-10-3	13111H33030H000	01-17	14181H16000H000	10-4	21346H33000H000	13-7
11441H33030H000	04-18	13200H11A40H000	08-1	14182H12900H000	10-3	21410H33070H000	13-4
11481H33000H000	03-7	13212H11200H000	08-1-24	14305H11C60H000	10-5	21421H33000H000	13-4-8
11482H33000H000	04-6	13223H11210H000	08-1-26	14791H12900H000	10-5-4	21441H33010H000	13-4-5
11483H33000H000	04-10	13225H11200H000	08-1-19	16052H33040H000	05-8	21441H33020H000	13-4-6
12021H33040H000	05-1	13242H11210H000	08-1-9	16400H35031H000	12-1	21451H33000H000	13-4-7
12111H33022H0B0	05-5	13247H33000H000	08-1-14	16511H33040H000	05-8-1	21461H33000H000	13-4-4
12140H33060H000	05-6	13251H11200H000	08-1-4	16520H21D00H000	03-14	21471H33020H000	13-4-2
12151H3E000H000	05-4	13251H11A10H000	08-1-11	16521H33040H000	05-8-3	21481H33000H000	13-5
12620H33000H000	06-7	13252H33000H000	08-1-12	16531H33040H000	05-8-4	23121H33020H000	13-2
12630H33010H000	06-5	13253H33000H000	08-1-15	16532H33040H000	05-8-6	23131H33030H000	13-1
12631H33010H000	06-5-2	13254H21D00H000	08-1-22	16541H33000H000	03-15	23270H33B00H000	04-1-1
12632H33010H000	06-5-3	13255H11200H000	08-1-1	16542H33000H000	03-16	23281H33010H000	04-1-3
12633H33010H000	06-5-5	13257H11200H000	08-1-20	16551H33040H000	05-8-5	24120H33020H000	14-4
12642H33010H000	06-5-1	13258H11210H000	08-1-17	16561H33000H000	05-15	24121H33020H000	14-4-1
12651H33000H000	06-3	13262H11200H000	08-1-13	16561H33000H000	05-8-2	24130H33041H000	14-1
12660H33000H000	06-4	13263H11200H000	08-1-23	16571H33000H000	05-11	24131H33031H000	14-1-1
12680H33000H000	06-6	13267H33000H000	08-1-5	16581H33000H000	05-10	24210H3F000H000	14-1-9
12710H33030H0F0	07-16	13268H33000H000	08-1-6	18410H12E10H000	11-13	24221H33000H000	14-1-7
12731H33010H0B0	07-15	13279H36900H000	08-1-7	18441H50100H000	11-14	24231H33010H000	14-1-2
12741H33001H000	07-14	13295H21D00H000	08-1-18	18442-26H01-000	11-16	24232H33000H000	14-1-3
12751H33000H0B0	05-14	13370H21D00H000	08-1-21	18450H26H30H000	11-6	24232H33000H000	14-4-6
12840H33010H000	07-17	13383H11A40H000	08-1-3	18461H12E00H000	11-10	24241H33000H000	14-1-5

5

PART NO.	FIG. NO. – REF. NO.	PART NO.	FIG. NO. – REF. NO.	PART NO.	FIG. NO. – REF. NO.	PART NO.	FIG. NO. – REF. NO.
24251H33000H000	14-1-6	26352-01000-000	16-3-1	33651H11A00H000	19-2	35720H11A00H000	24-1-1
24301H33000H000	14-4-12	26431H33000H000	04-1-5	33652H11701H000	19-9	35764H11A00H000	24-1-4
24302H33000H000	14-4-14	27511H33030H000	14-8	33680H12920H000	19-10	35765H12900H000	39-8
24311H33010H000	14-4-10	27521H33010H000	14-9	33810H11A00H000	17-1-8	35766H11A00H000	24-1-5
24312H33000H000	14-4-11	27600H2A000H108	14-11	33860H11221H000	19-3	35927-37G00-000	35-7
24321H33020H000	14-4-3	27620H2A000H000	14-11-1	34100H11A01H000	21-1	35970-04H01-000	24-4
24331H33010H000	14-4-8			34111H11A00H000	21-1-3	36610H11A11H000	25-1
24341H33010H000	14-4-5			34113H11A00H000	21-1-2	36619H12901H000	25-2
24351H33000H000	14-4-4			34150H11A00H000	21-1-1	36651-12F10-000	35-9
24741H33000H000	03-22			34152H11A00H000	21-1-4	36651-45F40-000	25-8
25211H33000H000	15-17			34156H11A00H000	21-1-6	36651H12500H000	20-10
25231H33000H000	15-18			34173H11A00H000	21-1-7	36651H12500H000	25-6
25241H33000H000	15-19	30000		34193H12E00H000	21-1-9	36651H12610H000	25-5
25310H33001H000	15-3			34810H11710H000	29-7	36651H12911H000	33-4
25311H33000H000	15-1			34910H12E00H000	21-6	36651H12E00H000	36-9
25350H33000H000	15-16	31100H11A00H000	17-1	34938H12600H000	33-8	37011H11AB0H000	25-17
25351H33020H000	15-7	31132H30200H000	17-1-1	34940H13130H000	21-7	37100H11A10H000	25-12
25381H33000H000	15-5	31133H30200H000	17-1-2	34980H12E00H000	21-1-5	37101H11200H000	25-13
25411H33000H000	15-15	31135H30200H000	17-1-3	35100H11A11H000	22-1	37157H12600H000	33-3
25500H33030H000	15-9	31156H30200H000	17-1-4	35121H11A11H000	22-1-1	37200H11A21H000	34-1
25510H33030H000	15-9-4	31361H30200H000	17-1-6	35124H11A10H000	22-1-1-1	37400H11A20H000	34-2
25531H33000H000	15-9-3	31362H30200H000	17-1-5	35151-21J00-000	36-6	37720H11A00H000	21-1-8
25561H33000H000	15-9-5	31800-49110-000	20-1	35171H11A10H000	22-1-4	37720H33031H000	15-13
25600H11A10H000	15-11	32100H2E000H000	18-1	35174H2A110H000	22-1-5	37740H12601H000	25-14
25652H16500H000	15-11-1	32101H330C0H000	18-1-1	35601H11A01H000	23-1	38500H12601H000	25-15
26210H33020H000	16-1	32102H2E000H000	18-1-2	35602H11A01H000	23-2	38610H11222H000	23-7
26211H33010H000	16-1-2	32111H33010H000	18-5	35603H11A01H000	23-3	38840H2A010H000	25-18
26221H33000H000	16-1-3	32491H33010H000	18-4	35604H11A01H000	23-4		
26222H33000H000	16-1-4	32800H05522H000	20-4	35610H11A00H000	23-1-1		
26231H33020H000	16-1-5	32900H11A20H000	20-6	35610H11A00H000	23-4-1		
26241H33000H000	16-1-6	33410H05510H000	20-7	35616H11A01H000	23-6		
26251H33000H000	16-1-9	33510-04H10-000	20-7-2	35630H11A00H000	23-2-1		
26252H33000H000	16-1-10	33541-38210-000	20-7-3	35630H11A00H000	23-3-1	40000	
26261H33000H000	16-1-12	33542-38B00-000	20-7-1	35710H11A00H000	24-1		
26300H12E10H000	16-3	33611H12911H000	19-1	35718H11A00H000	24-1-3		

PART NO.	FIG. NO. – REF. NO.	PART NO.	FIG. NO. – REF. NO.	PART NO.	FIG. NO. – REF. NO.	PART NO.	FIG. NO. – REF. NO.
41101H11Y41H000	26-1	44011H11AG0HF03	29-1	47432H11700H000	26-13	54200H12930H000	41-18
41291H12600H000	09-5	44011H11AG0HF04	29-1	47600H11202H000	31-5	54400H45Y20H000	41-15
41540H11A01H000	19-5	44200H11A00H000	29-2	47641H11200H000	31-3	54400H45Y20H000	44-17
41560H11A00H000	19-4	44256H12600H000	25-7			54441H12B00H000	41-17
41569H05610H000	28-6-1	44256H12600H000	29-9			54451H11200H000	41-8
41569H05610H000	28-7-1	44300H11A00H000	30-1	50000		54492H11201H000	41-6
41894H11700HN00	20-9	44420H11700H000	30-2		54610H12900H000		41-18-9
41919-45F00-000	01-11	44428H12900H000	30-4		54613H11200H000		41-18-1
41919-45F00-000	26-4	44541H11200H000	29-10		54614H11200H000		41-18-3
41991H11200H000	26-3	44542H11A00H000	29-11		54616H11200H000		41-18-2
41992H12920H000	26-6	44544-45F10-000	29-5		51103H11AC0H000	40-1	54621H12930H000
41993H11200H000	26-2	45100H11A10H000	38-1	51104H11AC0H000	40-2	54623H11200H000	41-18-6
42100H12600H000	27-1	45160H11A00H000	38-1-1	51117-45F40-000	40-1-4	54626H11200H000	41-18-5
42112H12900H000	27-6	45511H11A01HA28	39-1	51117-45F40-000	40-2-4	54632H12930H000	41-18-7
42211H11200H000	27-3	45511H11A01HA30	39-1	51153H12710H000	40-1-1	54711H50000H000	41-19
42278H12900H000	27-2	45511H11A01HA39	39-1	51153H12710H000	40-2-1	54741H2A000H000	41-3
42310H12900H000	27-8	45512H11A01HA28	39-3	51173H12710H000	40-1-2	54742-45F00-000	41-4
42321H11200H000	27-9	45512H11A01HA30	39-3	51173H12710H000	40-2-2	54750H11200H000	41-14
42322H11201H000	27-10	45512H11A01HA39	39-3	51189H11A00H000	40-1-3	54892-45F00-000	41-2
42551H50000H000	28-12	45513H11A00H104	39-2	51189H11A00H000	40-2-3	55100H11020H000	41-10
43110H11710H000	27-12	45513H11A00H541	39-2	51311H11210H000	40-3	55200H11020H000	41-11
43142H11200H000	27-7	45513H11A00H608	39-2	51353H11200H000	40-4	55421H11200H000	41-15-1
43142H12600H000	28-14	45518H11A00H000	39-4	51356H11200H000	40-5	55421H11200H000	44-17-1
43142H21302H000	27-15	45519H11A00H000	39-5	51410H11701H000	40-8	56110H11A00H000	33-1
43310H12900H000	44-30	46310H11A00H000	46-1	51611H11200H000	26-1-1	56171H11A01H000	33-2
43321H11200H000	44-34	46311H12900H000	28-9	51611H11200H000	40-16	56211H12600H000	40-6
43510H12J02H000	28-1	47111H11A00HA28	31-1	51621H11200H000	40-14	56314-20E00-000	39-13
43551H12900H000	28-2	47111H11A00HA30	31-1	51622H11200H000	40-17	56500H11200H000	33-6
43610H11A31H000	28-6	47111H11A00HA39	31-1	51625H11200H000	40-12	56600H11200H000	33-7
43618H12900H000	28-10	47211H11A00HA28	31-2	51626H11200H000	40-13	57110-05300-000	34-4
43619H11700H000	28-15	47211H11A00HA30	31-2	51630H11200H000	40-18	57211-46111-000	34-3
43631H12600H000	28-13	47211H11A00HA39	31-2	53110H11A20H000	32-1	57300H36H00H000	34-6
43710H11A00H000	28-7	47312H02100H000	31-6	53115H11200H000	32-3	57311-36H00-000	34-6-1
43718H12900H000	28-11	47320H11A00H000	31-7	53116H11200H000	32-4	57341-36H00-000	34-8
44011H11AG0HF01	29-1	47330H11700H000	31-8	54110H11A01H000	41-13	57421-36H00-000	34-6-2

5

PART NO.	FIG. NO. – REF. NO.	PART NO.	FIG. NO. – REF. NO.	PART NO.	FIG. NO. – REF. NO.
57431-45C01-000	34-5-5	63119H11200H000	35-4	90000	
57431H36H00H000	34-6-10	63121H11A00H000	39-6		
57441-45C00-000	34-5-3	63141H11200H000	35-2		
57441-45F00-000	34-6-3	64150H11A00H000	44-1		
57442-45C00-000	34-5-4	64210H11000H000	44-19		
57442-45F00-000	34-6-4	64310H12900H000	42-7	94041H11A30HA28	36-1
57460-45F00-000	34-6-8	64441H12800H000	44-27	94041H11A30HA30	36-1
57500-053D0-000	34-5	64451H12800H000	44-23	94041H11A30HA39	36-1
57511-053B0-000	34-5-2	64492H11200H000	44-25	94210H11A00H000	45-1
57512-45F00-000	34-5-7	64511H12801H000	44-8	94221-26H10-000	45-2
57512-45F00-000	34-6-9	64516H11201H000	44-4	94231-45F00-000	45-5
57621-053C0-000	34-5-1	64541H12800H000	44-13	94415H11A00H000	36-4
57661-05300-000	34-7	64610H12800H000	44-11	94425H11A00H000	36-3
58100H11A11H000	33-10	64612H11200H000	44-11-1	94434H12E00H000	36-1-2
58200H11A10H000	33-11	64614H12800H000	44-10	94434H12E00H000	39-7
58300H11A11H000	33-9	64651H11200H000	44-14	94500H11A00H000	40-19
58621H12B10H000	32-7	64711H12800H000	44-3	94550H11A00H000	36-7
		64733H12820H000	44-9	94577H12E00H000	36-2
		64810H11200H000	44-12	99011H11A60H000	37-2
		64916H11210H000	44-15		
60000		65100H11050H000	44-28		
		65200H11020H000	44-29		
		68130H11A10HSB3	31-9		
		68130H11A10HSB5	31-9		
		68130H11A10HSM7	31-9		
61100H12801H000	42-1	68135H11A10HSIL	31-11		
61200H11200H000	42-2	68140H11A10HSB3	31-10		
61211H11700H000	42-6	68140H11A10HSB5	31-10		
61273H11700H000	42-4	68140H11A10HSM7	31-10		
61310H12902H000	43-6	68170H12E00H000	21-4		
61320H12902H000	43-7	68171H22500H000	21-3		
61410H12901H000	44-7	68311H30120H000	26-9		
62100H11220H000	43-1	68319-29F00-000	37-1		
63112H11700H000	35-1	68332H11210H000	37-3		
63113H11A00H000	35-5	68389-45F00-000	26-10		

5

Haojue EG125 PARTS CATALOGUE

1st Edition

Published in 2016.7

DACHANGJIANG GROUP CO.,LTD.

No.5, Jiandabei Rd., Jiangmen City, Guangdong Province, P.R.China

Tel: 86-750-3288999 Fax: 86-750-3230989 Code: 529000

DACHANGJIANG GROUP COPYRIGHT POSSESSION.

DACHANGJIANG GROUP CO. , LTD.